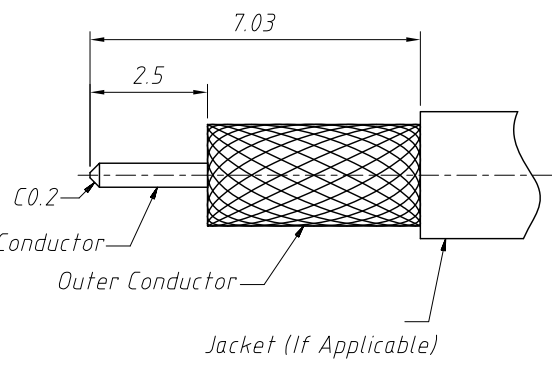


1
RoHS Compliance

A
B
C
D
E
F
G
H



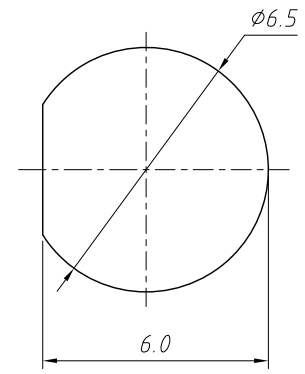
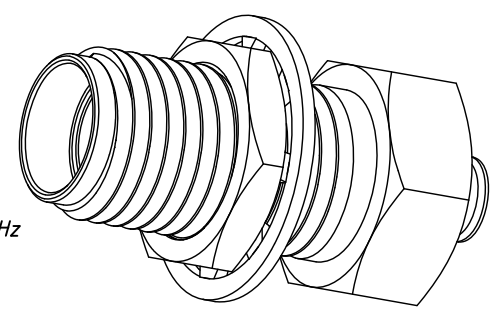
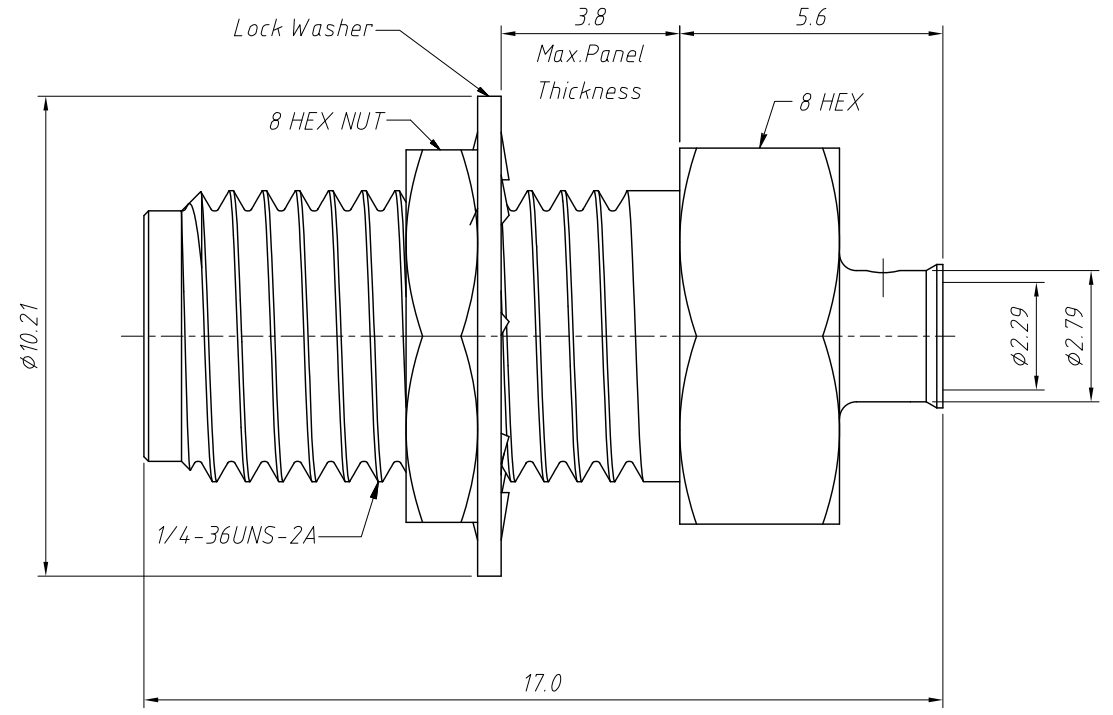
RECOMMENDED CABLE STRIPPING DIMS

Material:
 Body: Brass, Gold Plating
 Insulator: PTFE, Natural
 Contact: Ber. Copper, Gold Plating
 Lock Washer: Stainless Steel, Passivated
 HEX Nut: Stainless Steel, Passivated

Electrical:
 Impedance: 50Ω
 Frequency Range: DC-26.5 GHz
 VSWR (Return Loss): 1.15 Max. DC-12 GHz 1.25 Max. 12-18 GHz 1.30 Max. 18-26.5 GHz
 D.W.V: 1000 VRMS. MIN.

Mechanical:
 Durability: 500 Cycles Min.
 Temperature Range: -65°C to +165°C

Cable Assembly Instructions:
 Trim Cable As Show N
 Insert Cable Center Conductor Into Connector
 And Solder Body To The Outer Conductor.



RECOMMENDED MOUNTING HOLE

ANGLE TOLERANCE	PROJECTION	Description:	Panel Mount SMA Cable Connector Straight (Jack, Female, 50Ω)	
±3°				
GENERAL TOLERANCE	UNITS	mm	KLS P/N:	L-KLS1-SMA128
x.x ±0.30	SHEET SIZE	A4		
x.xx ±0.20	Draw:	Daniel	2020-11-11	NingBo KLS ELECTRONIC CO.,L TD.
x.xxx ±0.10	Check:	Daniel	2020-11-11	