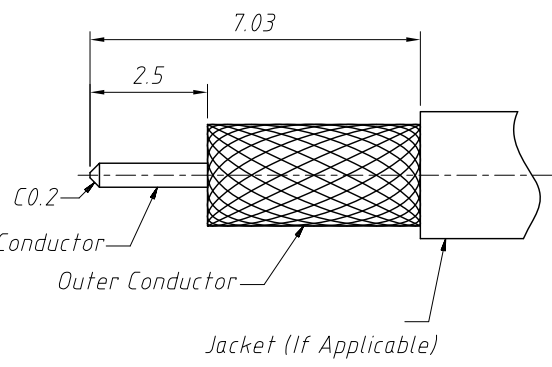


1
RoHS Compliance

A
B
C
D
E
F
G
H



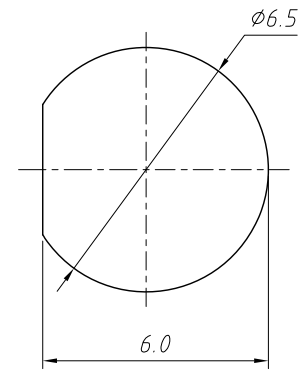
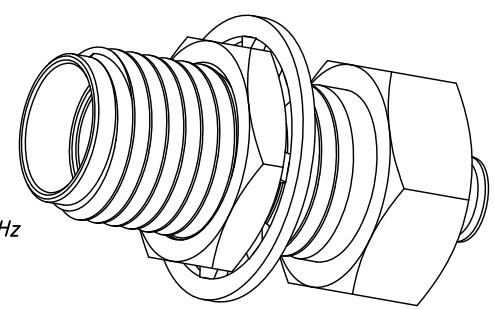
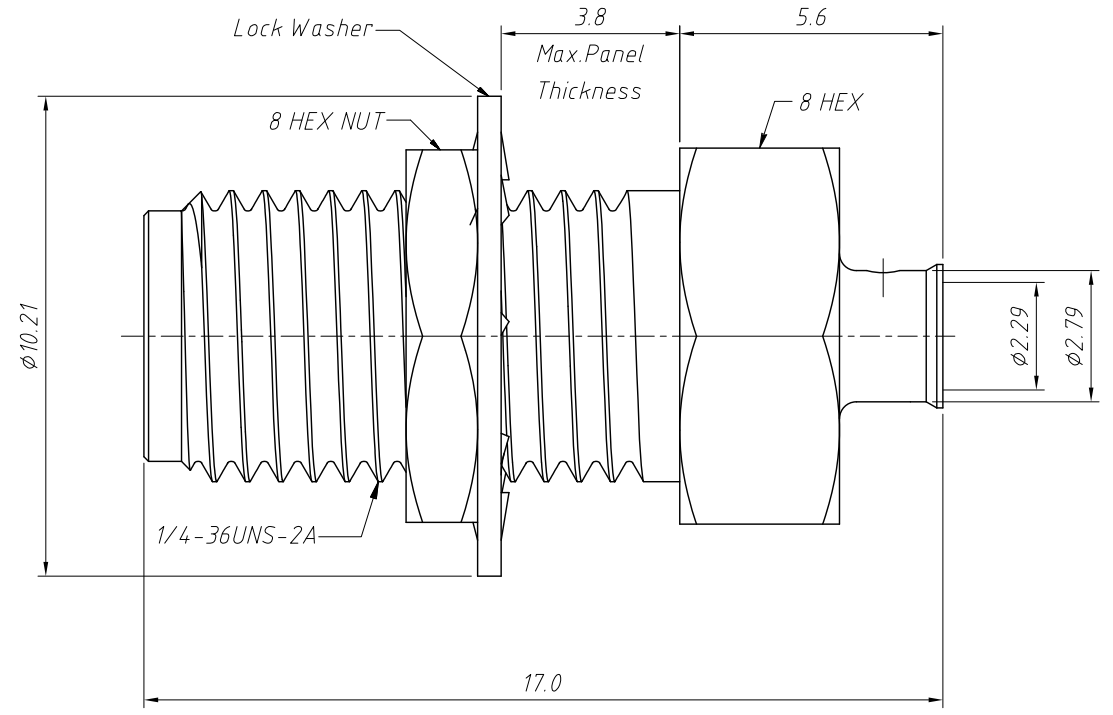
RECOMMENDED CABLE STRIPPING DIMS

Material:
 Body: Brass, Gold Plating
 Insulator: PTFE, Natural
 Contact: Ber. Copper, Gold Plating
 Lock Washer: Stainless Steel, Passivated
 HEX Nut: Stainless Steel, Passivated

Electrical:
 Impedance: 50Ω
 Frequency Range: DC-26.5 GHz
 VSWR (Return Loss): 1.15 Max. DC-12 GHz 1.25 Max. 12-18 GHz 1.30 Max. 18-26.5 GHz
 D.W.V: 1000 VRMS. MIN.

Mechanical:
 Durability: 500 Cycles Min.
 Temperature Range: -65°C to +165°C

Cable Assembly Instructions:
 Trim Cable As Show N
 Insert Cable Center Conductor Into Connector
 And Solder Body To The Outer Conductor.



RECOMMENDED MOUNTING HOLE

| | | | | |
|-------------------|------------|--------------|---|---------------------------------|
| ANGLE TOLERANCE | PROJECTION | Description: | Panel Mount SMA Cable Connector Straight (Jack, Female, 50Ω) | |
| ±3° | | | | |
| GENERAL TOLERANCE | UNITS | mm | KLS P/N: | L-KLS1-SMA129 |
| x.x ±0.30 | SHEET SIZE | A4 | | |
| x.xx ±0.20 | Draw: | Daniel | 2020-11-11 | NingBo KLS ELECTRONIC CO.,L TD. |
| x.xxx ±0.10 | Check: | Daniel | 2020-11-11 | |