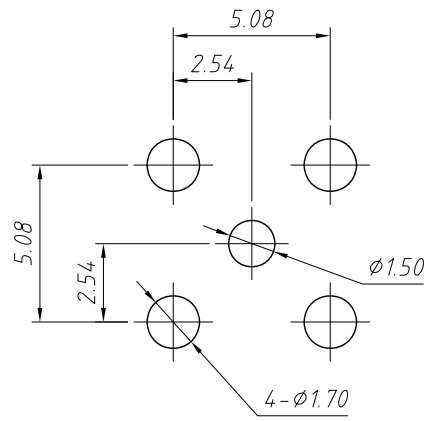
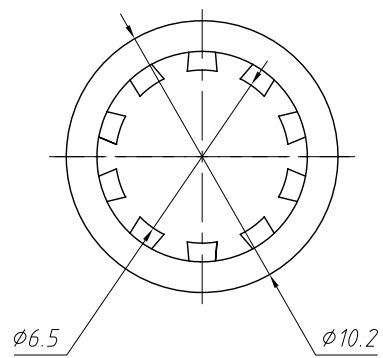
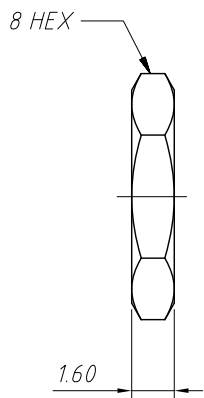
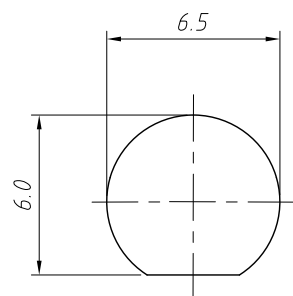
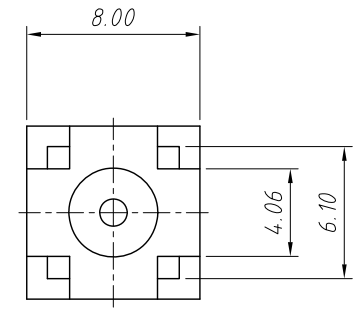


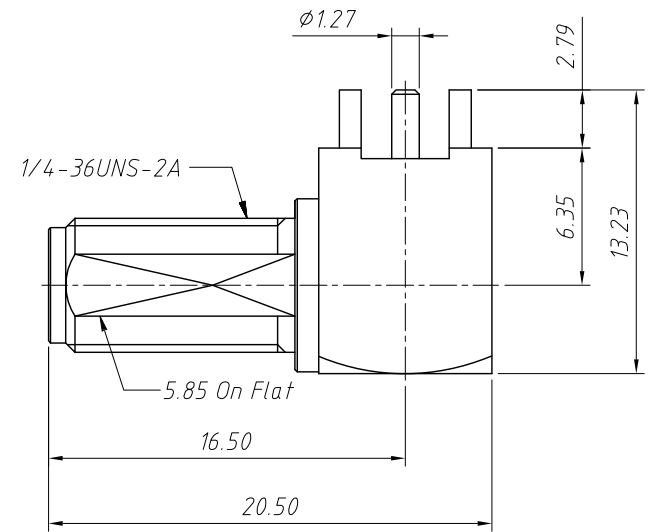
1
RoHS Compliance



Recommended
PCB Mounting Holes



Recommended
Mounting Hole Dim's



Material:
 Body: Brass, Gold Plating
 Housing: Brass, Gold Plating
 Contact Pin: Ber. Copper, Gold Plating
 Insulator: PTFE, Natural
 NUT: Brass, Gold Plating
 Lock Washer: Brass, Gold Plating
 Cover: Brass, Gold Plating

Electrical Specifications:
 Impedance: 50Ω
 D.W.V: 500 VRMS, Min

Mechanical Specifications:
 Durability: 500 Cycles Min.
 Temperature Range: -65°C to $+165^{\circ}\text{C}$
 Max. Panel Thickness 2.4mm

ANGLE TOLERANCE	PROJECTION	Description:	PCB Mount SMA Connector Right Angle (Jack, Female, 50Ω)
$\pm 3^{\circ}$			
GENERAL TOLERANCE	UNITS	mm	KLS P/N: L-KLS1-SMA006B
x.x ± 0.30	SHEET SIZE	A4	
x.xx ± 0.20	Draw:	Daniel	2020-11-11
x.xxx ± 0.10	Check:	Daniel	2020-11-11

