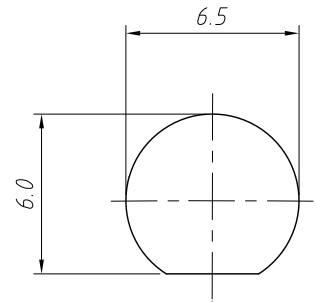
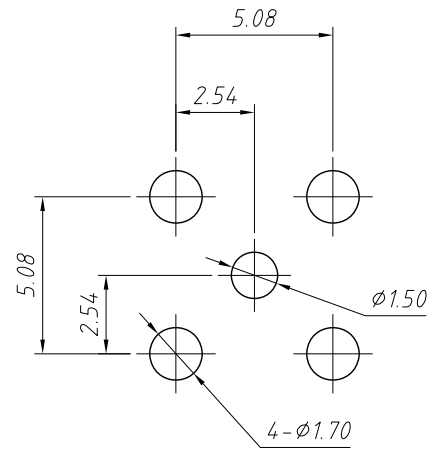
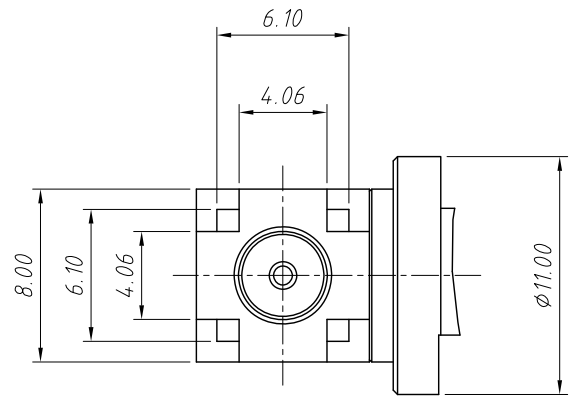
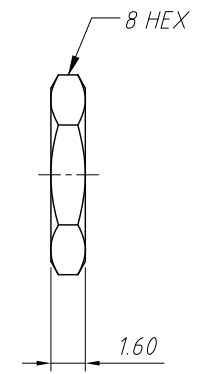
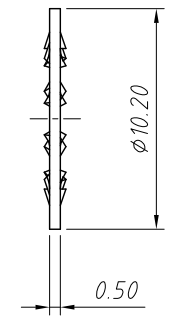
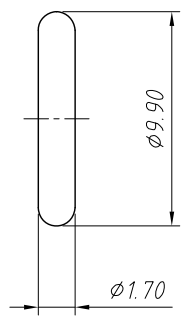
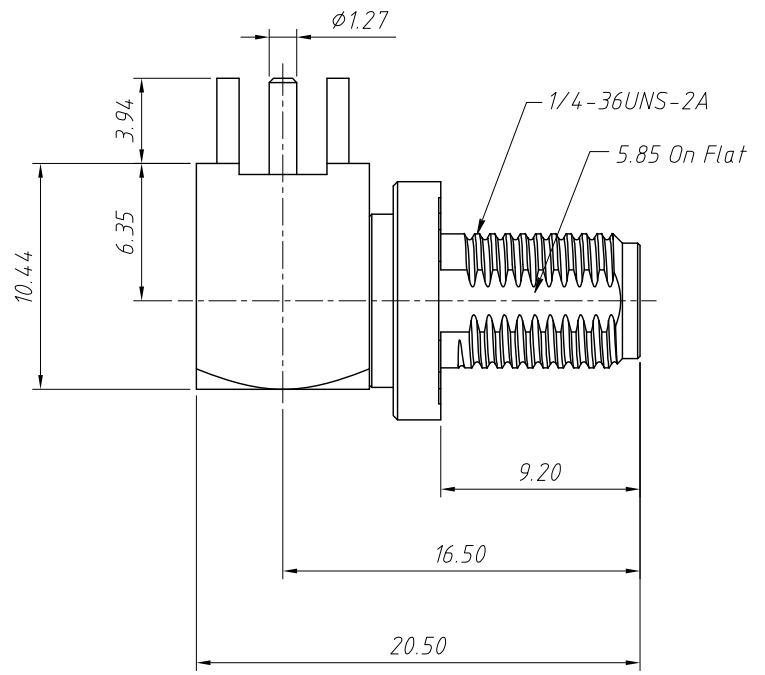


1
RoHS Compliance



Recommended
PCB Mounting Holes

Recommended
Mounting Hole Dim's



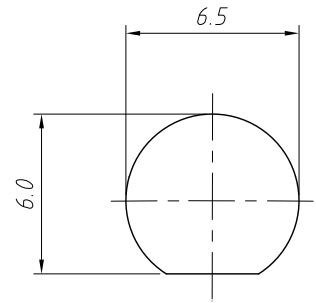
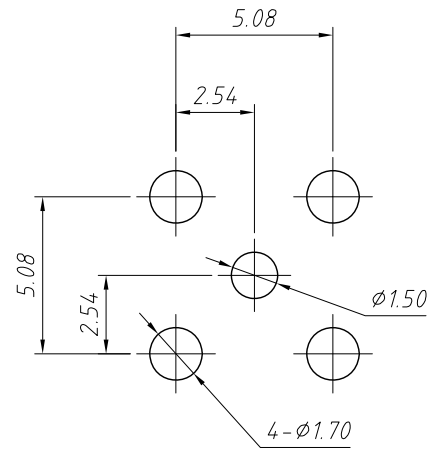
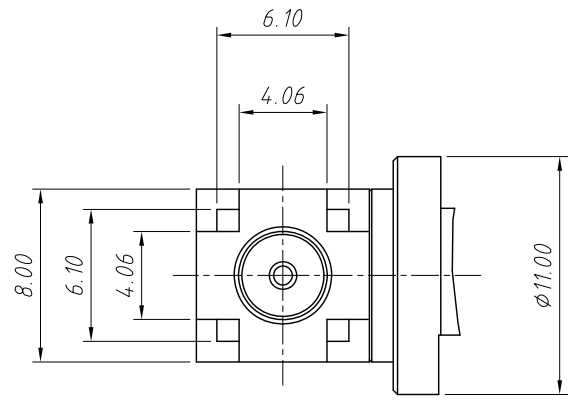
- Material:**
 Housing With Body: Brass, Gold Plating
 Contact: Brass, Gold Plating
 Insulator: PTFE, Natural
 O-Ring: Silicon Rubber, Red
 Cover: Brass, Gold Plating
 Gasket: Brass, Gold Plating
 Lock Washer: Brass, Gold Plating
 HEX Nut: Brass, Gold Plating

Electrical Specifications:
 Impedance: 50Ω

Mechanical Specifications:
 Durability: 500 Cycles Min.
 Temperature Range: -65°C to +165°C

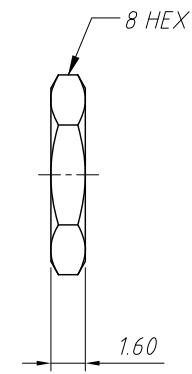
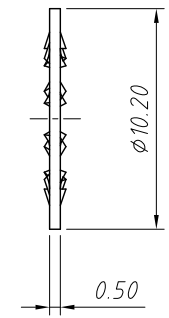
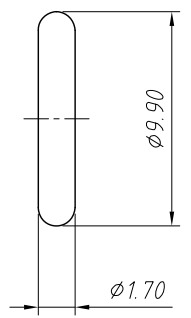
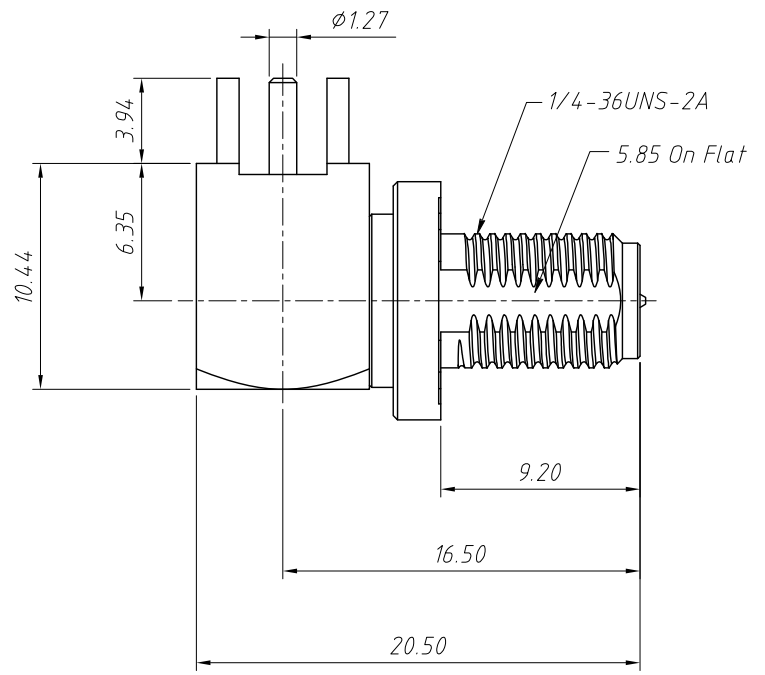
ANGLE TOLERANCE	PROJECTION	Description:	PCB Mount SMA Connector Right Angle (Jack, Female 50Ω)
±3°			
GENERAL TOLERANCE	UNITS	mm	KLS P/N: L-KLS1-SMA006E
x.x ±0.30	SHEET SIZE	A4	NingBo KLS ELECTRONIC CO.,L TD.
x.xx ±0.20	Draw:	Daniel 2020-11-11	
x.xxx ±0.10	Check:	Daniel 2020-11-11	

1
RoHS Compliance



Recommended
PCB Mounting Holes

Recommended
Mounting Hole Dim's



- Material:**
 Housing With Body: Brass, Gold Plating
 Contact: Brass, Gold Plating
 Insulator: PTFE, Natural
 O-Ring: Silicon Rubber, Red
 Cover: Brass, Gold Plating
 Gasket: Brass, Gold Plating
 Lock Washer: Brass, Gold Plating
 HEX Nut: Brass, Gold Plating

Electrical Specifications:
 Impedance: 50Ω

Mechanical Specifications:
 Durability: 500 Cycles Min.
 Temperature Range: -65°C to +165°C

ANGLE TOLERANCE	PROJECTION	Description:	PCB Mount SMA Connector Right Angle (Jack, Male, 50Ω)
±3°			
GENERAL TOLERANCE	UNITS	mm	KLS P/N: L-KLS1-SMA006EB
x.x ±0.30	SHEET SIZE	A4	
x.xx ±0.20	Draw:	Daniel	2020-11-11
x.xxx ±0.10	Check:	Daniel	2020-11-11



NingBo KLS ELECTRONIC CO., L TD.