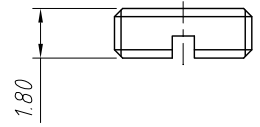


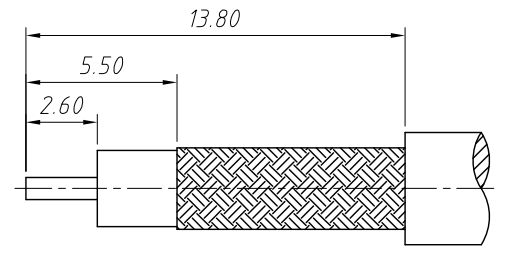
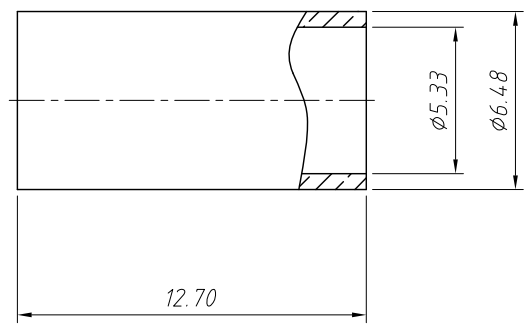
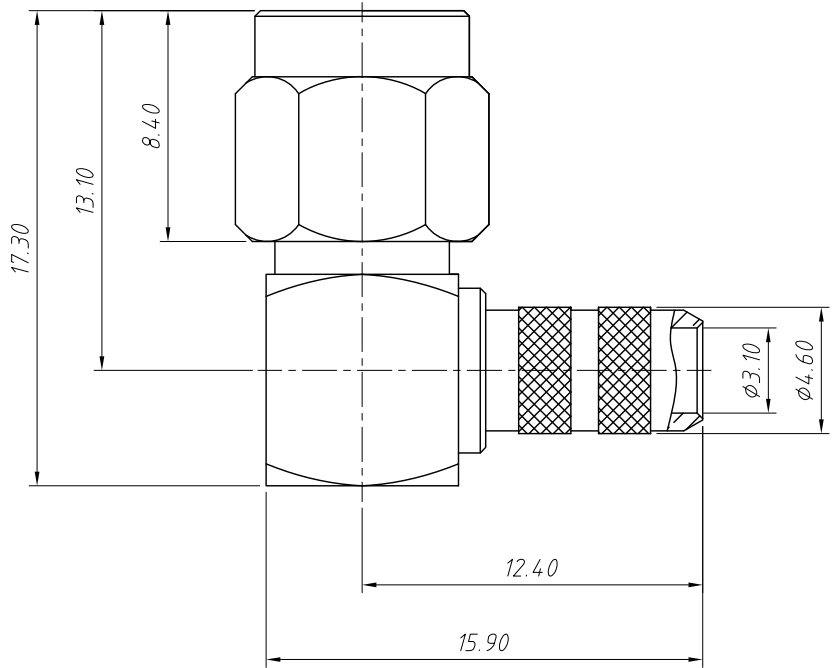
1
RoHS Compliance



Material:
 Housing With Barrel: Brass, Gold Plating
 Contact Pin: Ber. Copper, Gold Plating
 Insulator: PTFE, Natural
 Shell: Brass, Gold Plating
 Retainer Ring: Ber. Copper, Natural
 Gasket: Silicone, Red
 Cover: Brass, Gold Plating
 Ferrule: Copper, Gold Plating

Electrical Specifications:
 Impedance: 50Ω

Mechanical Specifications:
 Durability: 500 Cycles Min.
 Temperature Range: -65°C to +165°C



Recommended Cable Stripping Dims

| | | | | |
|-------------------|------------|--------------|---|---------------------------------|
| ANGLE TOLERANCE | PROJECTION | Description: | SMA Cable Connector Right Angle (Plug, Female, 50Ω) | |
| ±3° | | | | |
| GENERAL TOLERANCE | UNITS | mm | KLS P/N: | L-KLS1-SMA136 |
| x.x ±0.30 | SHEET SIZE | A4 | | |
| x.xx ±0.20 | Draw: | Daniel | 2020-11-11 | NingBo KLS ELECTRONIC CO.,L TD. |
| x.xxx ±0.10 | Check: | Daniel | 2020-11-11 | |