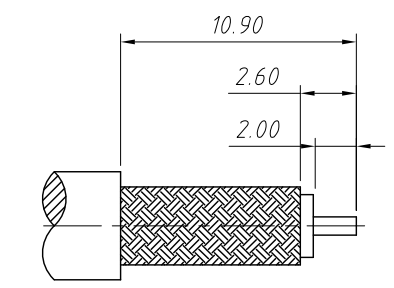
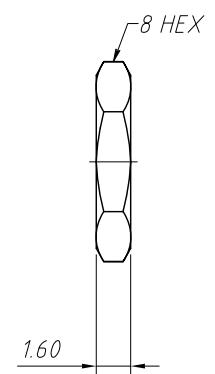
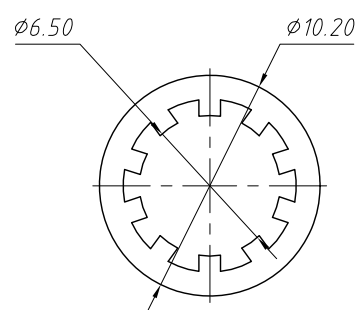
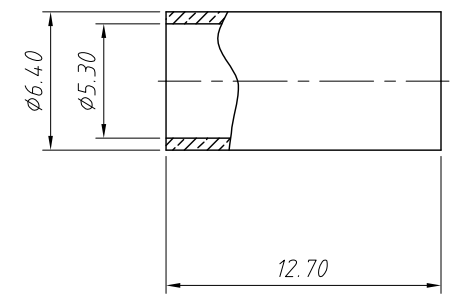
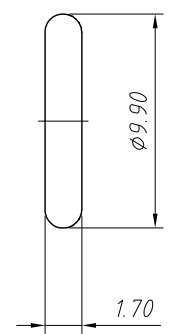
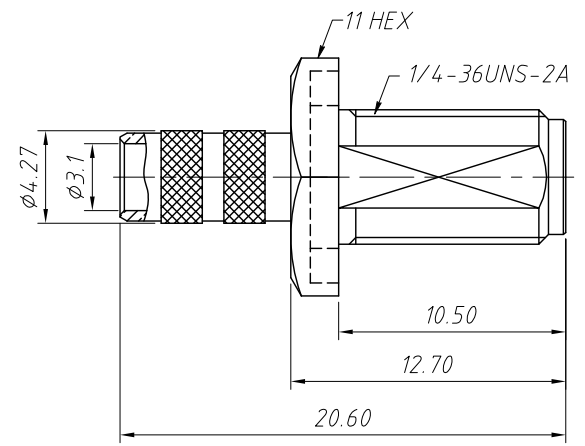
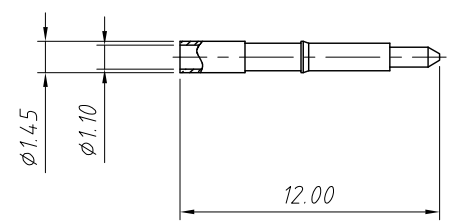
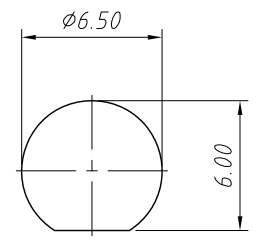


1
RoHS Compliance



Recommended Cable Stripping Dims



Recommended Mounting Hole

Material:
 Body: Brass, Gold Plating
 Contact Pin: Brass, Gold Plating
 Hex Nut: Brass, Gold Plating
 Insulator: PTFE, Natural
 Gasket: Silicone Rubber, Red
 Ferrule: Brass, Gold Plating
 Lock Washer: Brass, Gold Plating
 Ring: Brass, Gold Plating

Electrical Specifications:
 Impedance: 50Ω

Mechanical Specifications:
 Durability: 500 Cycles Min.
 Temperature Range: -65°C to +165°C
 MAX. Panel Thickness: 2.4mm

ANGLE TOLERANCE	PROJECTION	Description:	Panel Mount SMA Cable Connector Straight (Jack, Male, 50Ω)
±3°			
GENERAL TOLERANCE	UNITS	mm	KLS P/N: L-KLS1-SMA145
x.x ±0.30	SHEET SIZE	A4	
x.xx ±0.20	Draw:	Daniel	2020-11-11
x.xxx ±0.10	Check:	Daniel	2020-11-11



NingBo KLS ELECTRONIC CO.,L TD.