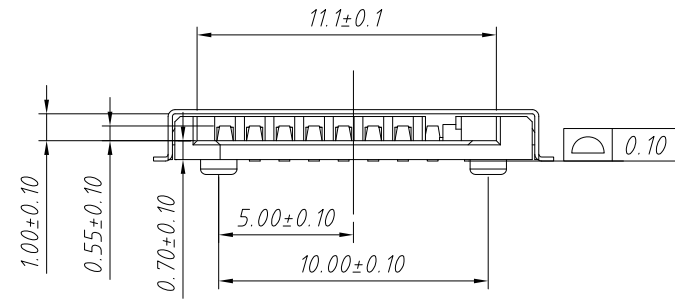


RECOMMENDED PCB LAYOUT
TOLERANCE:±0.05

PIN NO.	PIN ASSIGNMENT
1#	DAT2
2#	CD/DAT3
3#	CMD
4#	VDD
5#	CLK
6#	VSS
7#	DAT0
8#	DAT1



Material:
Housing:LCP,UL 94 V-0,Black.
Terminal:Copper Alloy,Selective Gold On Mating Area.
Shell:Iron
Electrical:
Voltage Rating:5V
Current Rating:0.5 A Max.
Contact Resistance:100mΩ Max.
Insulation Resistance:1000MΩ Min.
Withstanding Voltage:500V 1 Minute.
Operating Temp:-25°C TO +60°C
Peak temperature:260°C
Durability:10000 Cycles.

GENERAL TOLERANCE		ANGLE TOLERANCE		PROJECTION	Description:
X. ±0.15	X. ±5°	UNITS	mm		Micro SD Card CONN;PUSH/ PUSH,H1.4mm,SMD with CD Pin
.X ±0.03	.X ±3°	SHEET SIZE	A4		
.XX ±0.05	.XX ±2°		KLS P/N:		

Draw by: Jenny Date: 2018-03-10
Check by: Date: 2018-03-10
SCALE SHEET 1 OF 1

KLS NingBo KLS ELECTRONIC CO.,L TD.