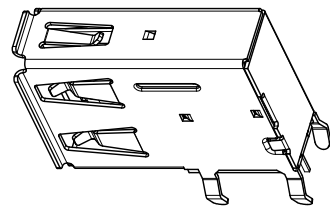
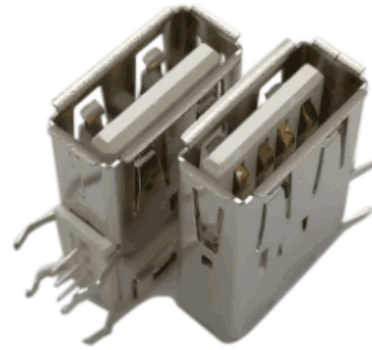
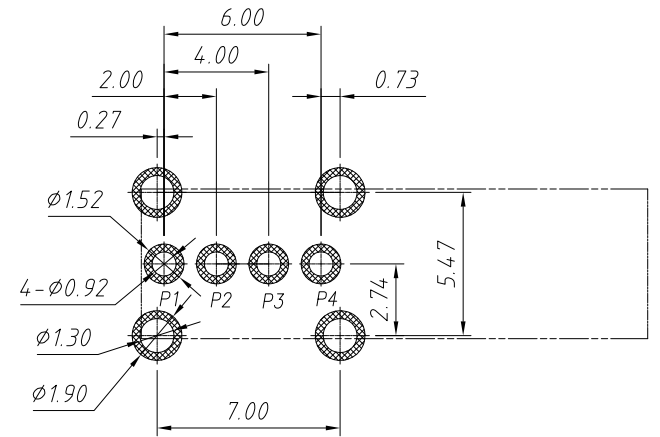
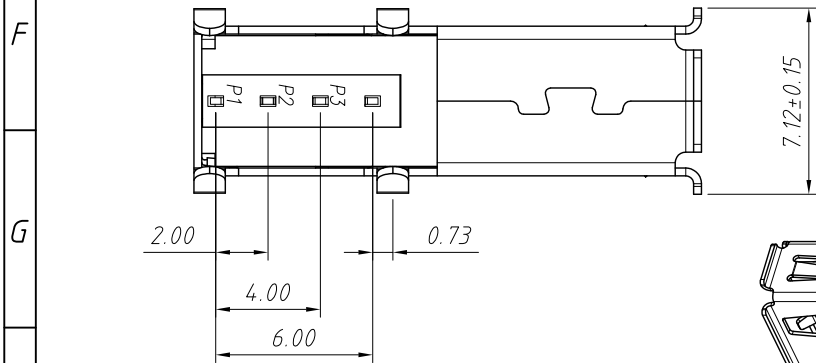


**Material:**  
 Insulator:PBT, UL94V-0  
 Contact:Copper Alloy C2680H  
 Shell:Copper Alloy

**Finish:**  
 Contact:Piated Gold In Mating Area; Tin On Solder Talls.  
 Shell:Nickel Plating.

**Electrical:**  
 Contact Resistance:30mΩ Max.  
 Dielectric Withstanding Voltage:500 V AC AT Sea Level.  
 Insulation Resistance:1000MΩ Min.



*RECOMMENDED PCB LAYOUT, TOP VIEW*  
 PCB THICKNESS=1.60mm; TOL.±0.05

GENERAL TOLERANCE	PROJECTION		Description:
X. ±0.50	UNITS	mm	USB AF 90degree -Opposite direction ,Side entry with Back cap
.X ±0.25	SCALE	1:1	
.XX ±0.10	Draw by:	Jenny	KLS P/N: L-KLS1-191C-4P-W
ANGLE TOLERANCE	Check by:		NingBo KLS ELECTRONIC CO.,L TD.
X. ±5°	Date	2018-03-01	
.X ±3°	SHEET	1 OF 1	
.XX ±2°			