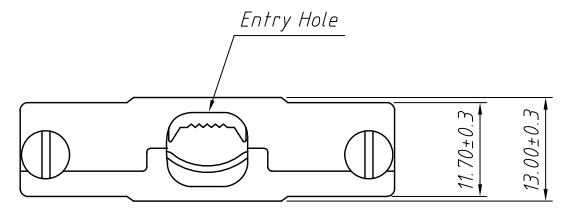
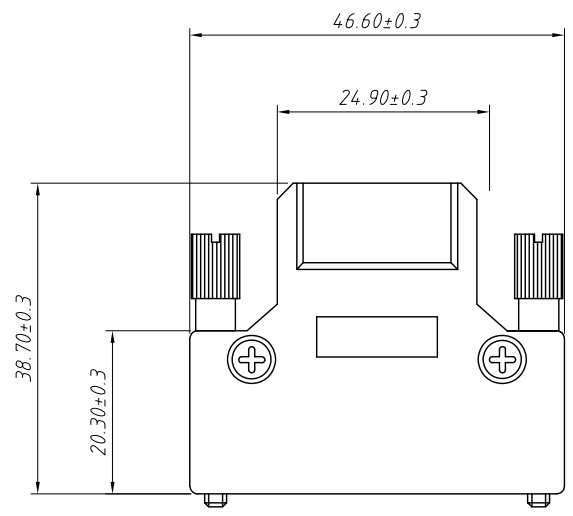


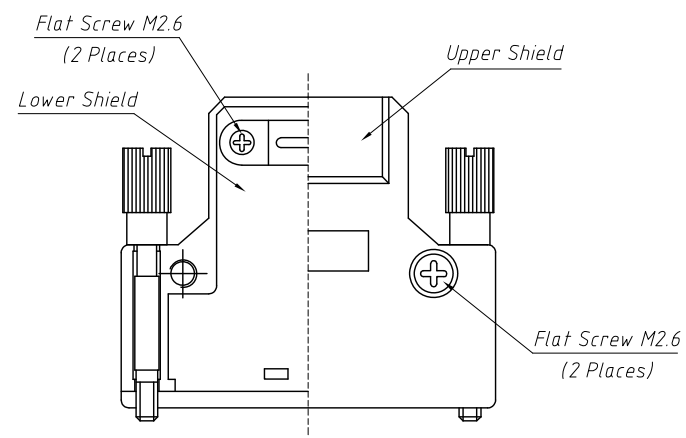
1
RoHS Compliance



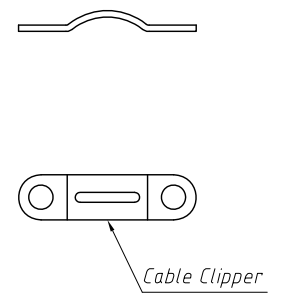
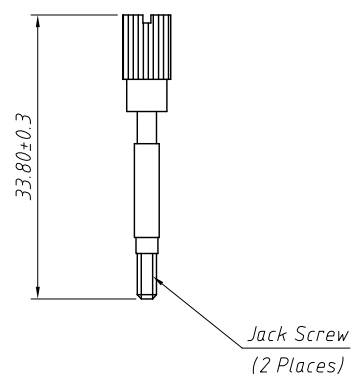
- Materials:**
- 1.Back Shell:Zinc Alloy,Plating:Ni
 - 2.Jack Screw:Steel,Plating:Ni
 - 3.Flat Screw:Steel,Plating:Ni
 - 4.Cable Clipper:Steel,Plating:Ni



- Electrical:**
- 1.Voltage Rating:250VAC
 - 2.Current Rating:1.0A
 - 3.Contact Resistance:30mΩ Max.
 - 4.Insulation Resistance:500MΩ Min.@500VDC
 - 5.Withstanding Resistance:500VAC RMS.
50Hz 1minute



- Environmental:**
- 1.Operation: -40°C ~ 105°C



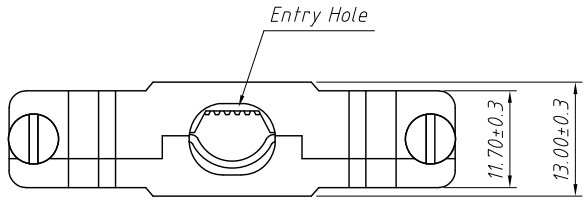
Order Information:
L-KLS1-MDRME40

L: RoHS
SCSI Connector
No. of 40 Pins

| | | | |
|-------------------|------------|--------------|---|
| ANGLE TOLERANCE | PROJECTION | Description: | SCSI Connector CN Type Male Solder Metal Hood with Screw |
| ±3° | | | |
| GENERAL TOLERANCE | UNITS | mm | KLS P/N: L-KLS1-MDRME40 |
| x.x ±0.30 | SHEET SIZE | A4 | |
| x.xx ±0.20 | Draw: | Daniel | 2021-10-11 |
| x.xxx ±0.10 | Check: | Daniel | 2021-10-11 |



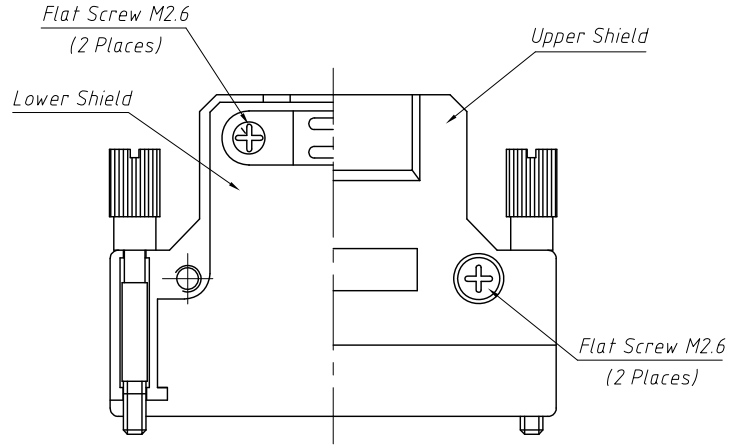
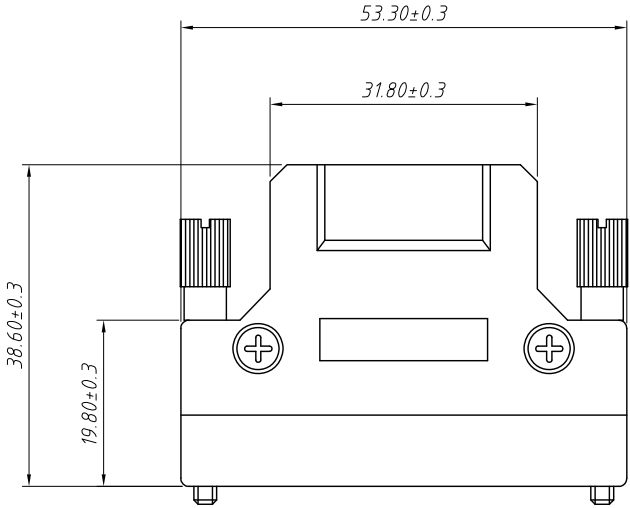
1
RoHS Compliance



- Materials:**
- 1.Back Shell:Zinc Alloy,Plating:Ni
 - 2.Jack Screw:Steel,Plating:Ni
 - 3.Flat Screw:Steel,Plating:Ni
 - 4.Cable Clipper:Steel,Plating:Ni

- Electrical:**
- 1.Voltage Rating:250VAC
 - 2.Current Rating:1.0A
 - 3.Contact Resistance:30mΩ Max.
 - 4.Insulation Resistance:500MΩ Min.@500VDC
 - 5.Withstanding Resistance:500VAC RMS.
50Hz 1minute

- Environmental:**
- 1.Operation: -40°C ~ 105°C



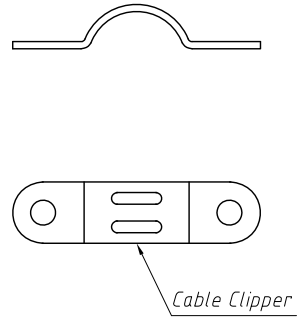
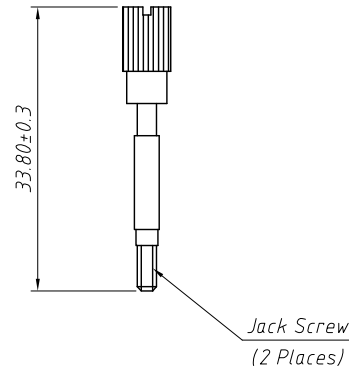
Order Information:

L-KLS1-MDRME50

L: RoHS

SCSI Connector

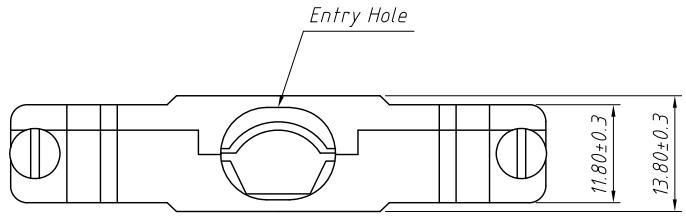
No. of 50 Pins



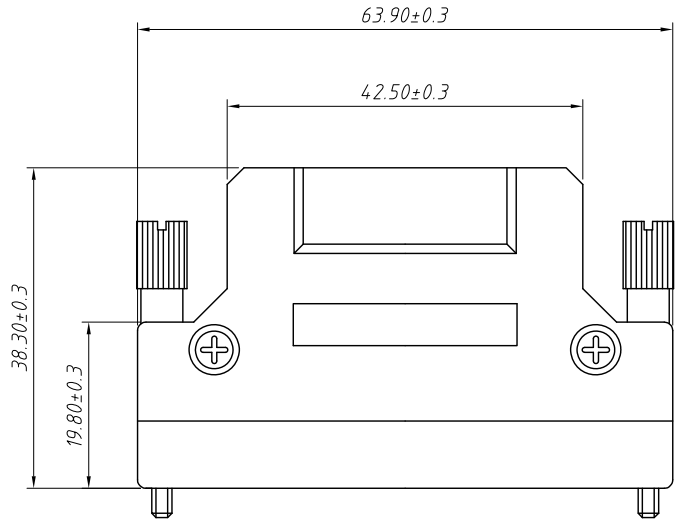
| | | | |
|-------------------|------------|--------------|---|
| ANGLE TOLERANCE | PROJECTION | Description: | SCSI Connector CN Type Male Solder Metal Hood with Screw |
| ±3° | | | |
| GENERAL TOLERANCE | UNITS | mm | KLS P/N: L-KLS1-MDRME50 |
| x.x ±0.30 | SHEET SIZE | A4 | |
| x.xx ±0.20 | Draw: | Daniel | 2021-10-11 |
| x.xxx ±0.10 | Check: | Daniel | 2021-10-11 |

KLS
NingBo KLS ELECTRONIC CO.,L TD.

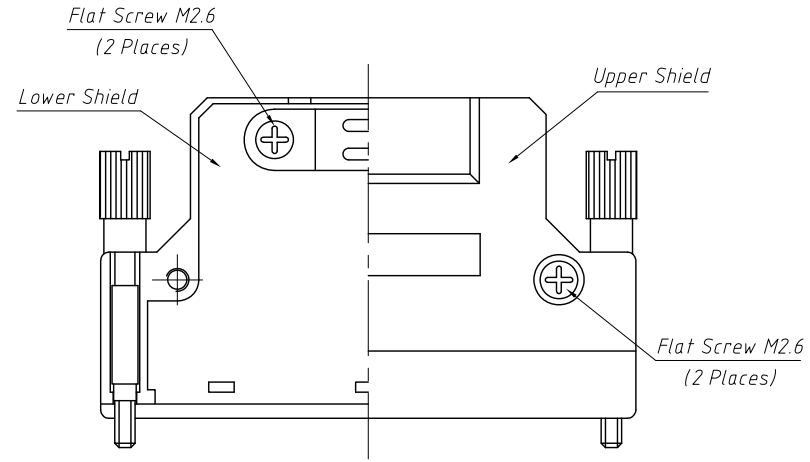
1
RoHS Compliance



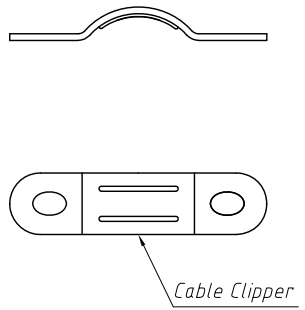
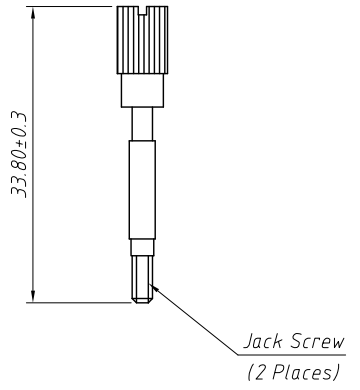
- Materials:**
- 1.Back Shell:Zinc Alloy,Plating:Ni
 - 2.Jack Screw:Steel,Plating:Ni
 - 3.Flat Screw:Steel,Plating:Ni
 - 4.Cable Clipper:Steel,Plating:Ni



- Electrical:**
- 1.Voltage Rating:250VAC
 - 2.Current Rating:1.0A
 - 3.Contact Resistance:30mΩ Max.
 - 4.Insulation Resistance:500MΩ Min.@500VDC
 - 5.Withstanding Resistance:500VAC RMS.
50Hz 1minute



- Environmental:**
- 1.Operation: -40°C ~ 105°C

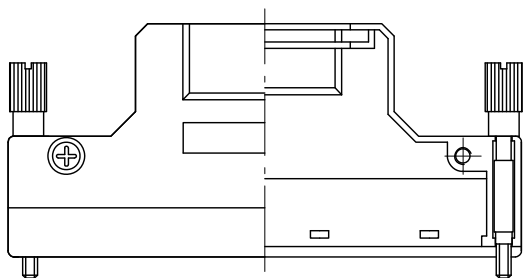
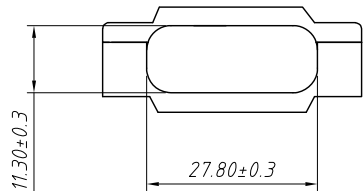
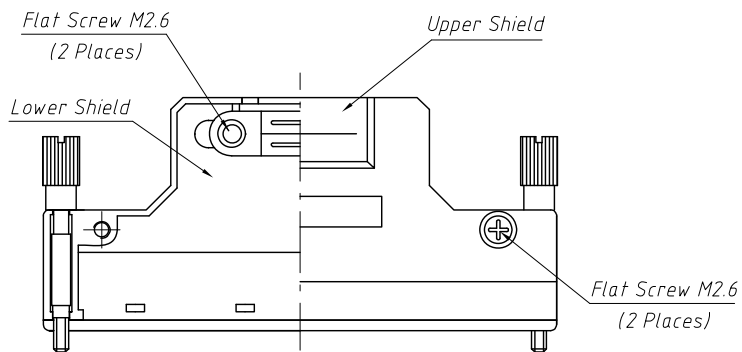
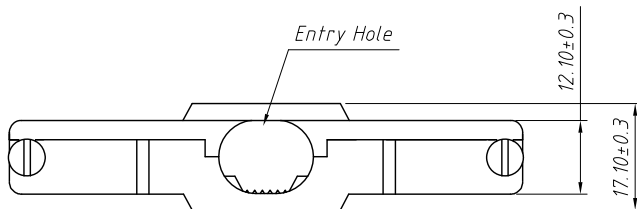
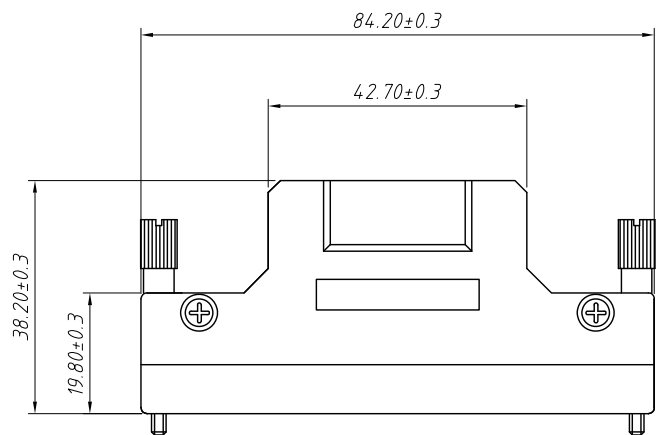


Order Information:
L-KLS1-MDRME68

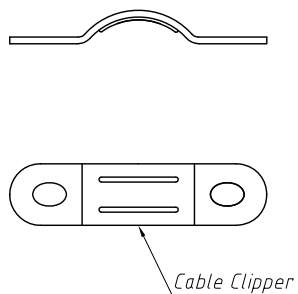
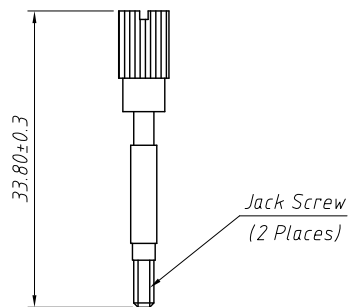
L: RoHS
SCSI Connector
No. of 68 Pins

| | | | |
|-------------------|------------|-------------------|-----------------------------------|
| ANGLE TOLERANCE | PROJECTION | Description: | SCSI Connector CN Type |
| ±3° | | | Male Solder Metal Hood with Screw |
| GENERAL TOLERANCE | UNITS | mm | KLS P/N: L-KLS1-MDRME68 |
| x.x ±0.30 | SHEET SIZE | A4 | NingBo KLS ELECTRONIC CO.,L TD. |
| x.xx ±0.20 | Draw: | Daniel 2021-10-11 | |
| x.xxx ±0.10 | Check: | Daniel 2021-10-11 | |

1 RoHS Compliance



Y Type



- Materials:**
- 1.Back Shell:Zinc Alloy,Plating:Ni
 - 2.Jack Screw:Steel,Plating:Ni
 - 3.Flat Screw:Steel,Plating:Ni
 - 4.Cable Clipper:Steel,Plating:Ni

- Electrical:**
- 1.Voltage Rating:250VAC
 - 2.Current Rating:1.0A
 - 3.Contact Resistance:30mΩ Max.
 - 4.Insulation Resistance:500MΩ Min.@500VDC
 - 5.Withstanding Resistance:500VAC RMS.
50Hz 1minute

- Environmental:**
- 1.Operation: -40°C ~ 105°C

Order Information:
 L-KLS1-MDRME100
 L: RoHS
 SCSI Connector
 No. of 100 Pins

| | | | |
|-------------------|------------|--------------|-----------------------------------|
| ANGLE TOLERANCE | PROJECTION | Description: | SCSI Connector CN Type |
| ±3° | | | Male Solder Metal Hood with Screw |
| GENERAL TOLERANCE | UNITS | mm | KLS P/N: |
| x.x ±0.30 | SHEET SIZE | A4 | L-KLS1-MDRME100 |
| x.xx ±0.20 | Draw: | Daniel | 2021-10-11 |
| x.xxx ±0.10 | Check: | Daniel | 2021-10-11 |



NingBo KLS ELECTRONIC CO.,L TD.