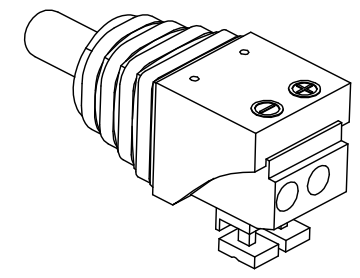
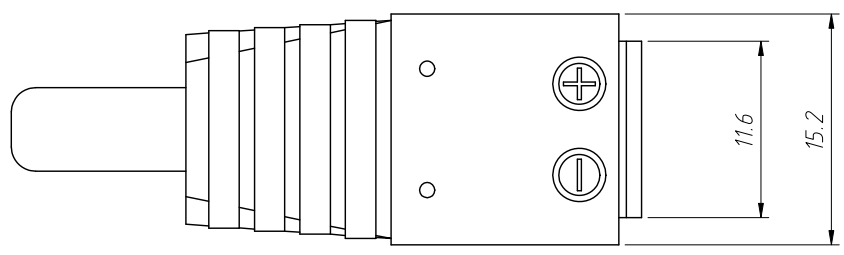
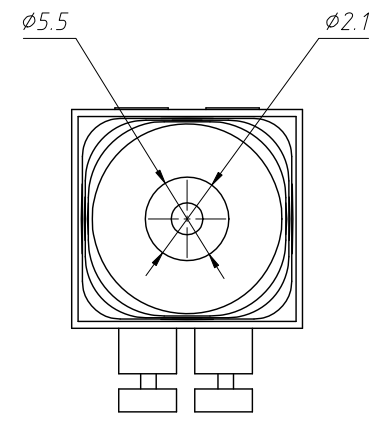
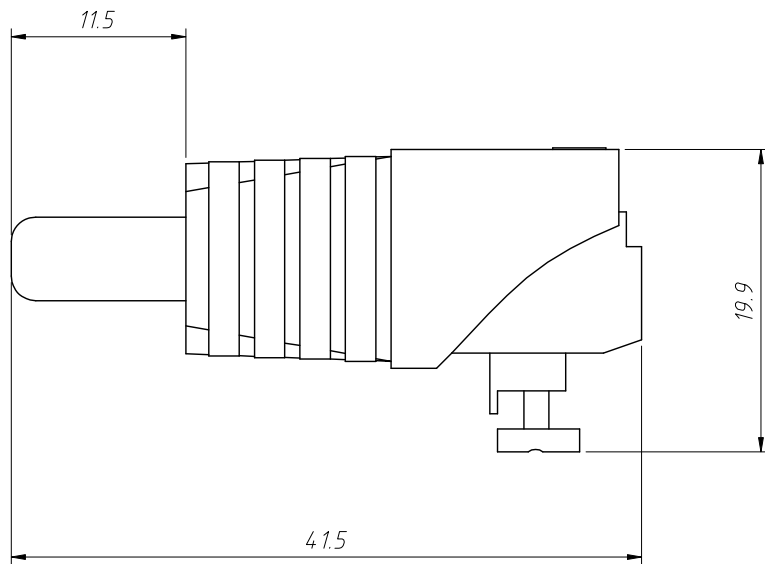


1
RoHS Compliance



ANGLE TOLERANCE	PROJECTION	Description:		
$\pm 3^\circ$		DC5521 male head turn to avoid screw terminal		
GENERAL TOLERANCE	UNITS	mm	KLS P/N: L-KLS2-DC-15-2.1M	
x.x ± 0.30	SHEET SIZE	A4	NingBo KLS ELECTRONIC CO.,L TD.	
x.xx ± 0.20	Draw:	Daniel		2020-11-11
x.xxx ± 0.10	Check:	Daniel		2020-11-11