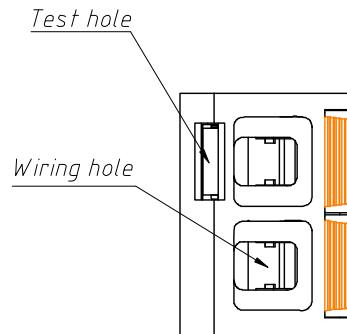
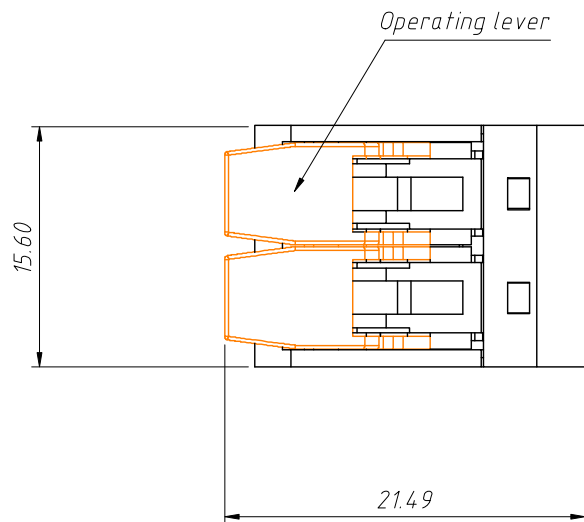
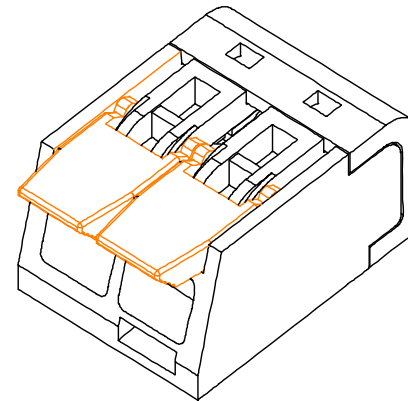
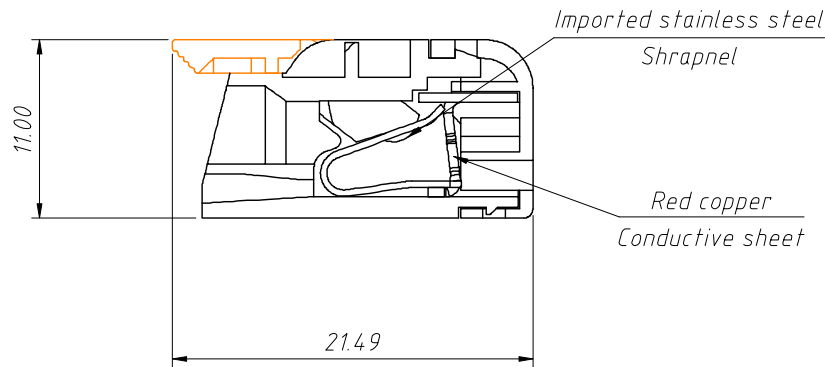


RoHS Compliance



Electrical data
 Rated voltage (II / 2):450 V
 Rated impulse voltage (II / 2):4 kV
 Rated current:41 A
 Legend (ratings):(II / 2)
 Overvoltage category:II
 Pollution degree:2

Connection data
 Connection technology:CAGE CLAMP®
 Actuation type:Lever
 Connectable conductor materials:Copper
 Nominal cross section:6 mm²
 Solid conductor:0.5~6 mm² / 20~10 AWG
 Stranded conductor:0.5~6 mm² / 20~10 AWG
 Fine-stranded conductor:0.5~6mm²/20~10AWG
 Strip length:12 mm / 0.55 Inch
 Total number of potentials:1
 Type of wiring:Side-entry wiring

Material Data
 Color:transparent
 Flammability class per UL94:V2

Environmental Requirements
 Surrounding air (operating) temperature:85 °C
 Continuous operating temperature up to:105 °C
 T-Marking per EN 60998:T85

Order Information:

L-KLS2-L79-02P

L: RoHS

Terminal Blocks

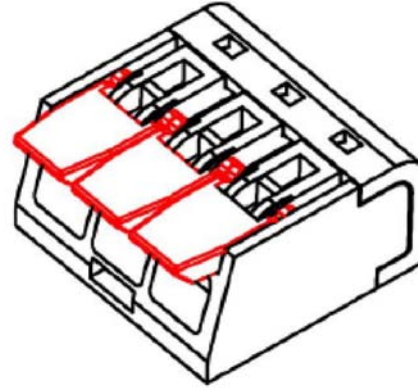
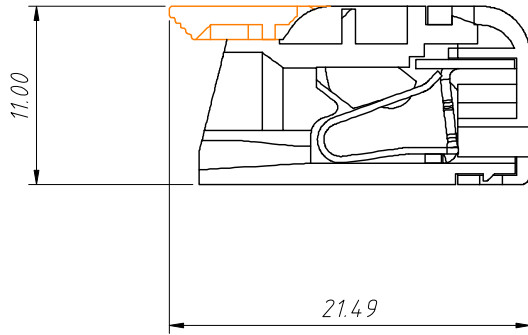
XX-No. of 02 pins

ANGLE TOLERANCE	PROJECTION	Description:	Wago Wire Splice Connectors, For 6mm ² wago 221-612 221-613 221-615
±3°			
GENERAL TOLERANCE	UNITS	mm	KLS P/N: L-KLS2-L79-02P
x.x ±0.30	SHEET SIZE	A4	
x.xx ±0.20	Draw:	Daniel	2021-11-05
x.xxx ±0.10	Check:	Daniel	2021-11-05



NingBo KLS ELECTRONIC CO.,LTD.

1 RoHS Compliance



Electrical data
 Rated voltage (II / 2):450 V
 Rated impulse voltage (II / 2):4 kV
 Rated current:41 A
 Legend (ratings):(II / 2)
 Overvoltage category:II
 Pollution degree:2

Connection data
 Connection technology:CAGE CLAMP®
 Actuation type:Lever
 Connectable conductor materials:Copper
 Nominal cross section:6 mm²
 Solid conductor:0.5~6 mm² / 20~10 AWG
 Stranded conductor:0.5~6 mm² / 20~10 AWG
 Fine-stranded conductor:0.5~6mm²/20~10AWG
 Strip length:12 mm / 0.55 Inch
 Total number of potentials:1
 Type of wiring:Side-entry wiring

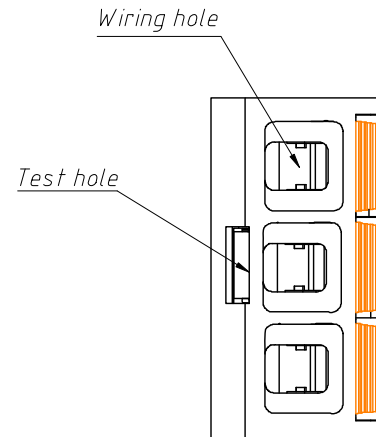
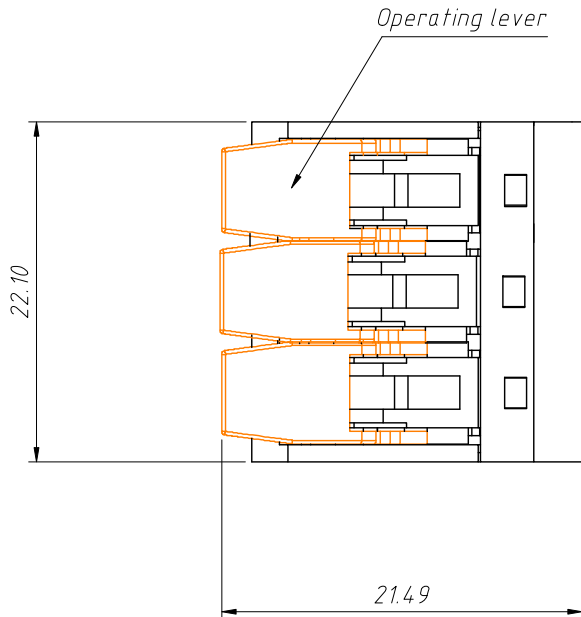
Material Data
 Color:transparent
 Flammability class per UL94:V2

Environmental Requirements
 Surrounding air (operating) temperature:85 °C
 Continuous operating temperature up to:105 °C
 T-Marking per EN 60998:T85

Order Information:

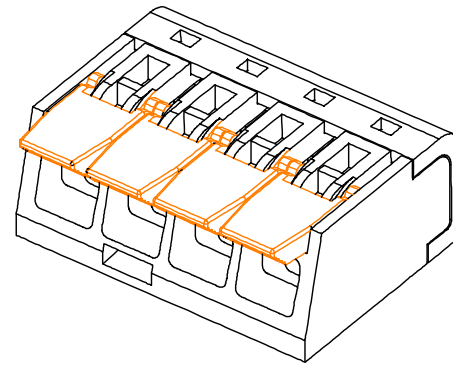
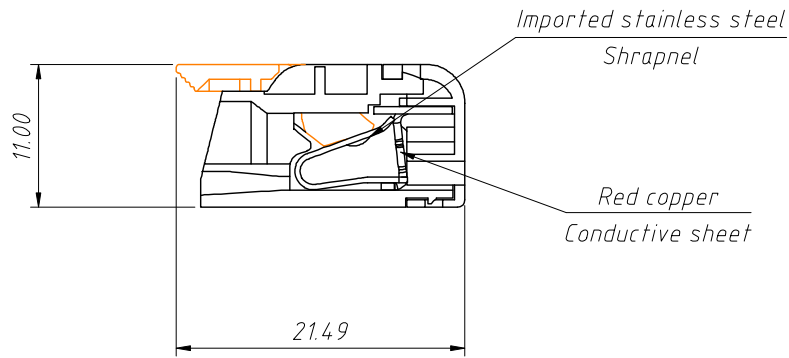
L-KLS2-L79-03P

L: RoHS
 Terminal Blocks
 XX-No. of 03 pins



ANGLE TOLERANCE	PROJECTION	Description:	Wago Wire Splice Connectors, For 6mm ²
±3°			wago 221-612 221-613 221-615
GENERAL TOLERANCE	UNITS	mm	KLS P/N: L-KLS2-L79-03P
x.x ±0.30	SHEET SIZE	A4	NingBo KLS ELECTRONIC CO.,L TD.
x.xx ±0.20	Draw:	Daniel 2021-11-05	
x.xxx ±0.10	Check:	Daniel 2021-11-05	

1 RoHS Compliance



Electrical data
 Rated voltage (II / 2):450 V
 Rated impulse voltage (II / 2):4 kV
 Rated current:41 A
 Legend (ratings):(II / 2)
 Overvoltage category:II
 Pollution degree:2

Connection data
 Connection technology:CAGE CLAMP®
 Actuation type:Lever
 Connectable conductor materials:Copper
 Nominal cross section:6 mm²
 Solid conductor:0.5~6 mm² / 20~10 AWG
 Stranded conductor:0.5~6 mm² / 20~10 AWG
 Fine-stranded conductor:0.5~6mm²/20~10AWG
 Strip length:12 mm / 0.55 Inch
 Total number of potentials:1
 Type of wiring:Side-entry wiring

Material Data
 Color:transparent
 Flammability class per UL94:V2

Environmental Requirements
 Surrounding air (operating) temperature:85 °C
 Continuous operating temperature up to:105 °C
 T-Marking per EN 60998:T85

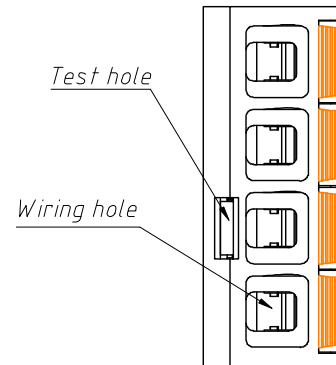
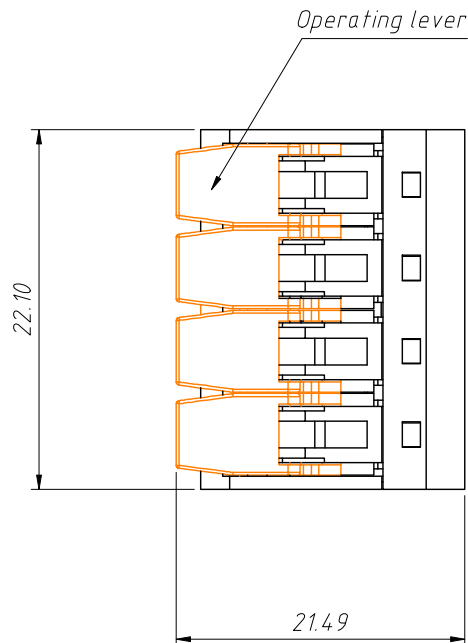
Order Information:

L-KLS2-L79-04P

L: RoHS

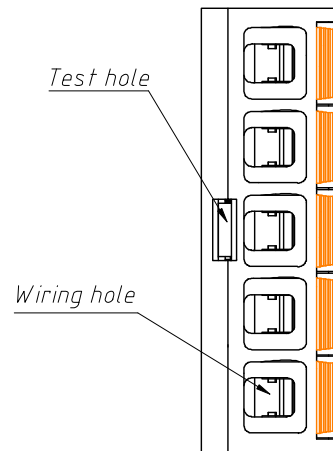
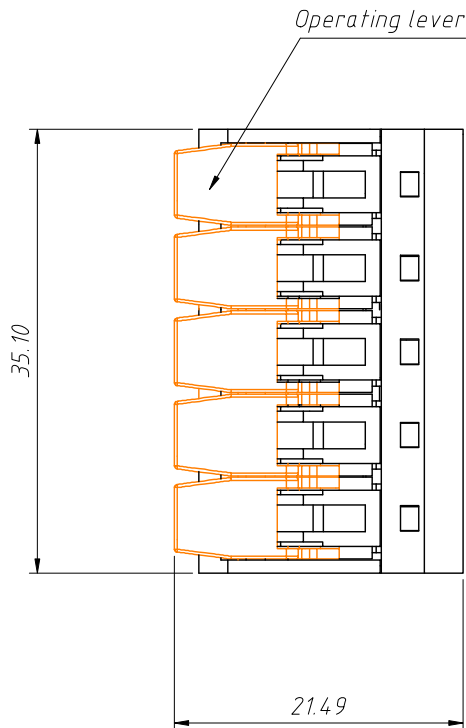
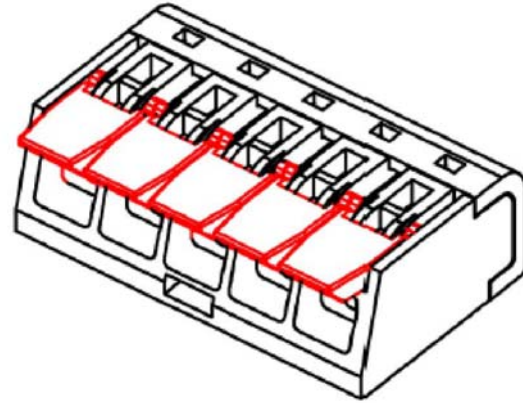
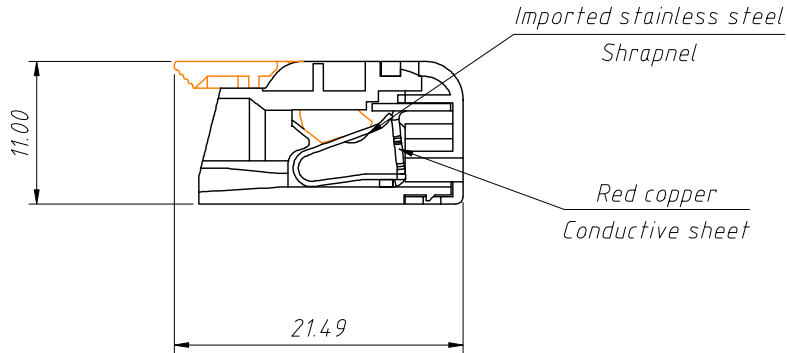
Terminal Blocks

XX-No. of 04 pins



ANGLE TOLERANCE	PROJECTION	Description:	Wago Wire Splice Connectors, For 6mm ²
±3°			wago 221-612 221-613 221-615
GENERAL TOLERANCE	UNITS	mm	KLS P/N: L-KLS2-L79-04P
x.x ±0.30	SHEET SIZE	A4	
x.xx ±0.20	Draw:	Daniel 2021-11-05	
x.xxx ±0.10	Check:	Daniel 2021-11-05	
			NingBo KLS ELECTRONIC CO.,LTD.

RoHS Compliance



Electrical data
 Rated voltage (II / 2):450 V
 Rated impulse voltage (II / 2):4 kV
 Rated current:41 A
 Legend (ratings):(II / 2)
 Overvoltage category:II
 Pollution degree:2

Connection data
 Connection technology:CAGE CLAMP®
 Actuation type:Lever
 Connectable conductor materials:Copper
 Nominal cross section:6 mm²
 Solid conductor:0.5~6 mm² / 20~10 AWG
 Stranded conductor:0.5~6 mm² / 20~10 AWG
 Fine-stranded conductor:0.5~6mm²/20~10AWG
 Strip length:12 mm / 0.55 Inch
 Total number of potentials:1
 Type of wiring:Side-entry wiring

Material Data
 Color:transparent
 Flammability class per UL94:V2

Environmental Requirements
 Surrounding air (operating) temperature:85 °C
 Continuous operating temperature up to:105 °C
 T-Marking per EN 60998:T85

Order Information:

L-KLS2-L79-05P

L: RoHS

Terminal Blocks

XX-No. of 05 pins

ANGLE TOLERANCE	PROJECTION	Description:	Wago Wire Splice Connectors, For 6mm ²
±3°			wago 221-612 221-613 221-615
GENERAL TOLERANCE	UNITS	mm	KLS P/N: L-KLS2-L79-05P
x.x ±0.30	SHEET SIZE	A4	NingBo KLS ELECTRONIC CO.,L TD.
x.xx ±0.20	Draw:	Daniel	
x.xxx ±0.10	Check:	Daniel	