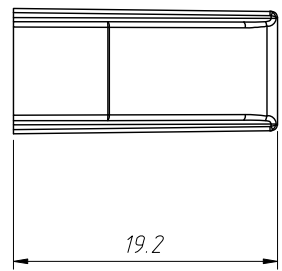
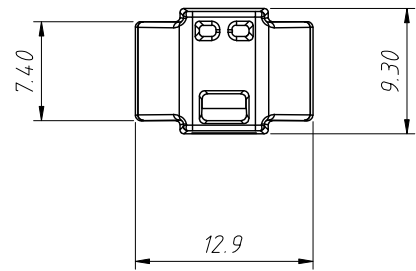
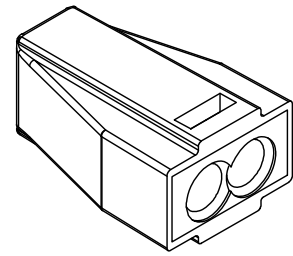
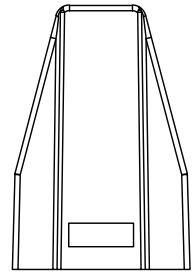
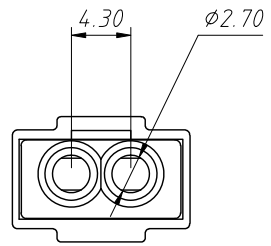


1
RoHS Compliance



Electrical data
 Rated voltage (II / 2):400 V
 Rated impulse voltage (II / 2):4 kV
 Rated current:32 A
 Legend (ratings):(II / 2)
 Overvoltage category:II
 Pollution degree :2
Connection data
 Connection technology:Push-in CAGE CLAMP®
 Actuation type:Push-in
 Connectable conductor materials:Copper
 Nominal cross section:4 mm²
 Solid conductor:1.5 ~ 4 mm² / 16 ~ 12 AWG
 Strip length :12 mm / 0.47 Inch
 Total number of potentials :1
 Type of wiring:Side-entry wiring
Material Data
 Color:Brown,Red,White,Gray
 Flammability class per:UL 94 - V2
Environmental Requirements
 Continuous operating temperature:105 °C

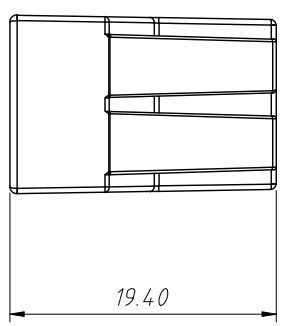
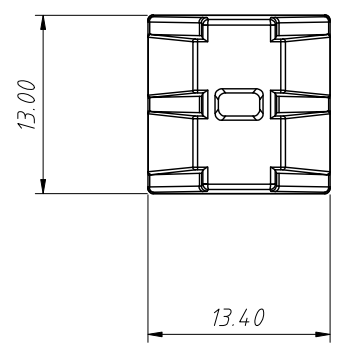
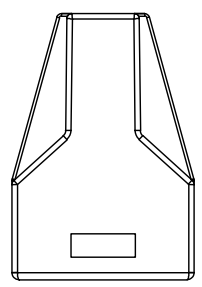
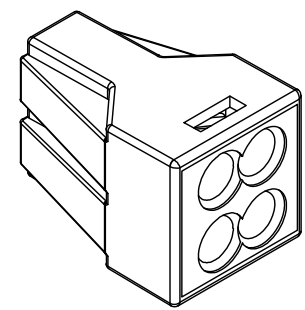
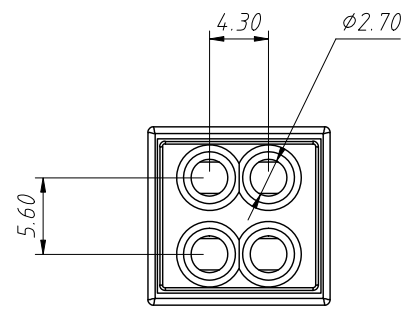
Order Information:
 L-KLS2-207B-02P

 L: RoHS
 Terminal Blocks
 XX-No. of 02 pins

ANGLE TOLERANCE	PROJECTION	Description:	Wire Splice Connectors, for 4mm ² 02 04 06 08 Pins
±3°			
GENERAL TOLERANCE	UNITS	mm	KLS P/N:
x.x ±0.30	SHEET SIZE	A4	L-KLS2-207B-02P
x.xx ±0.20	Draw:	Daniel	2021-11-05
x.xxx ±0.10	Check:	Daniel	2021-11-05



1
RoHS Compliance

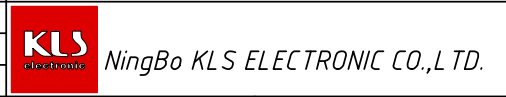


Electrical data
 Rated voltage (II / 2):400 V
 Rated impulse voltage (II / 2):4 kV
 Rated current:32 A
 Legend (ratings):(II / 2)
 Overvoltage category:II
 Pollution degree :2
Connection data
 Connection technology:Push-in CAGE CLAMP®
 Actuation type:Push-in
 Connectable conductor materials:Copper
 Nominal cross section:4 mm²
 Solid conductor:1.5 ~ 4 mm² / 16 ~ 12 AWG
 Strip length :12 mm / 0.47 Inch
 Total number of potentials :1
 Type of wiring:Side-entry wiring
Material Data
 Color:Brown,Red,White,Gray
 Flammability class per:UL 94 - V2
Environmental Requirements
 Continuous operating temperature:105 °C

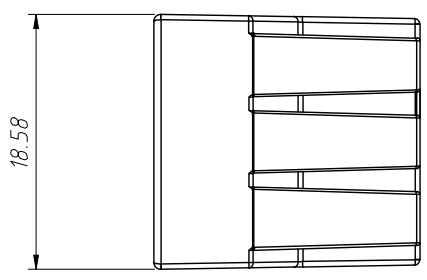
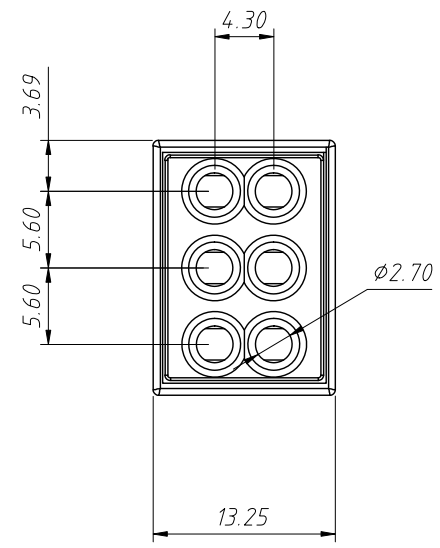
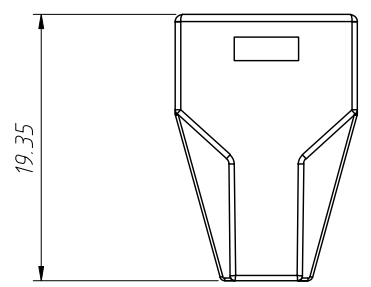
Order Information:
 L-KLS2-207B-04P

 L: RoHS
 Terminal Blocks
 XX-No. of 04 pins

ANGLE TOLERANCE	PROJECTION	Description:	Wire Splice Connectors, for 4mm ²
±3°			02 04 06 08 Pins
GENERAL TOLERANCE	UNITS	mm	KLS P/N:
x.x ±0.30	SHEET SIZE	A4	L-KLS2-207B-04P
x.xx ±0.20	Draw:	Daniel	2021-11-05
x.xxx ±0.10	Check:	Daniel	2021-11-05



1
RoHS Compliance



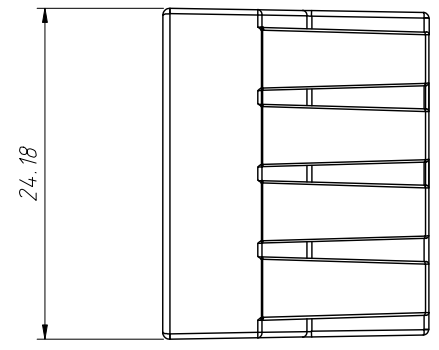
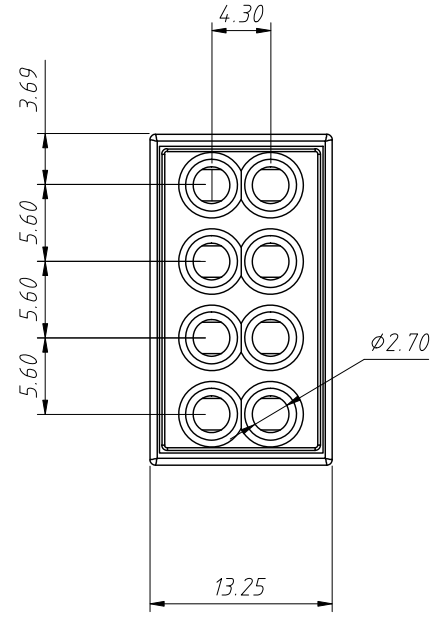
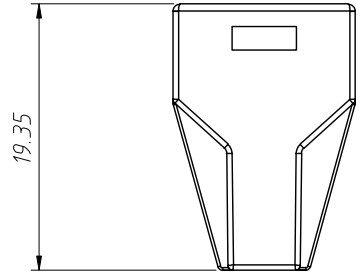
Electrical data
 Rated voltage (II / 2): 400 V
 Rated impulse voltage (II / 2): 4 kV
 Rated current: 32 A
 Legend (ratings): (II / 2)
 Overvoltage category: II
 Pollution degree: 2
Connection data
 Connection technology: Push-in CAGE CLAMP®
 Actuation type: Push-in
 Connectable conductor materials: Copper
 Nominal cross section: 4 mm²
 Solid conductor: 1.5 ~ 4 mm² / 16 ~ 12 AWG
 Strip length: 12 mm / 0.47 Inch
 Total number of potentials: 1
 Type of wiring: Side-entry wiring
Material Data
 Color: Brown, Red, White, Gray
 Flammability class per: UL 94 - V2
 Environmental Requirements
 Continuous operating temperature: 105 °C

Order Information:
 L-KLS2-207B-06P

 L: RoHS
 Terminal Blocks
 XX-No. of 06 pins

ANGLE TOLERANCE	PROJECTION	Description:	Wire Splice Connectors, for 4mm ²
±3°			02 04 06 08 Pins
GENERAL TOLERANCE	UNITS	mm	KLS P/N: L-KLS2-207B-06P
x.x ±0.30	SHEET SIZE	A4	NingBo KLS ELECTRONIC CO.,L TD.
x.xx ±0.20	Draw:	Daniel 2021-11-05	
x.xxx ±0.10	Check:	Daniel 2021-11-05	

1
RoHS Compliance



Electrical data
 Rated voltage (II / 2):400 V
 Rated impulse voltage (II / 2):4 kV
 Rated current:32 A
 Legend (ratings):(II / 2)
 Overvoltage category:II
 Pollution degree :2
Connection data
 Connection technology:Push-in CAGE CLAMP®
 Actuation type:Push-in
 Connectable conductor materials:Copper
 Nominal cross section:4 mm²
 Solid conductor:1.5 ~ 4 mm² / 16 ~ 12 AWG
 Strip length :12 mm / 0.47 Inch
 Total number of potentials :1
 Type of wiring:Side-entry wiring
Material Data
 Color:Brown,Red,White,Gray
 Flammability class per:UL 94 -V2
Environmental Requirements
 Continuous operating temperature:105 °C

Order Information:
 L-KLS2-207B-08P
 L: RoHS
 Terminal Blocks
 XX-No.of 08 pins

ANGLE TOLERANCE	PROJECTION	Description:	Wire Splice Connectors,for 4mm ²
±3°			02 04 06 08 Pins
GENERAL TOLERANCE	UNITS	mm	KLS P/N: L-KLS2-207B-08P
x.x ±0.30	SHEET SIZE	A4	NingBo KLS ELECTRONIC CO.,L.TD.
x.xx ±0.20	Draw:	Daniel 2021-11-05	
x.xxx ±0.10	Check:	Daniel 2021-11-05	