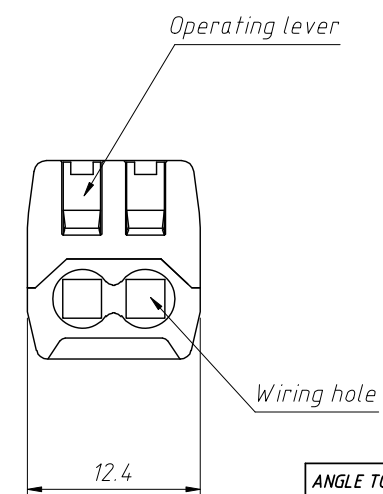
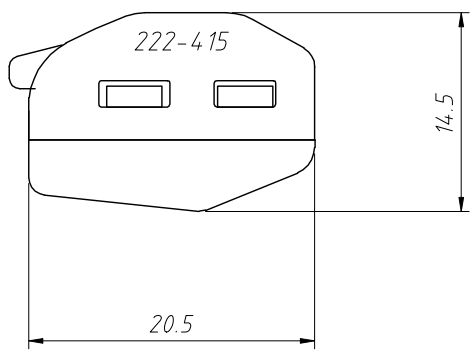
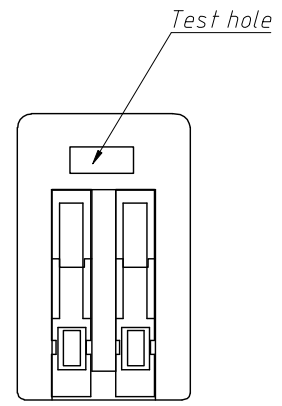
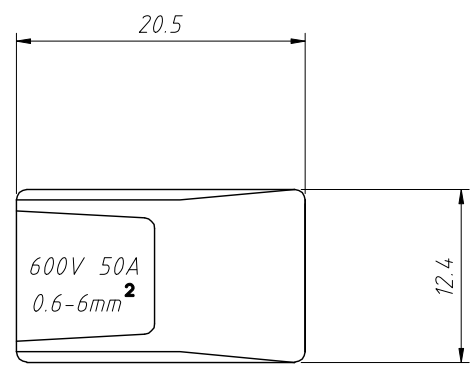


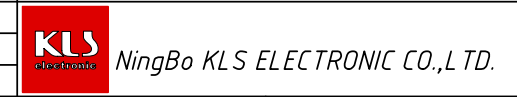
1
RoHS Compliance



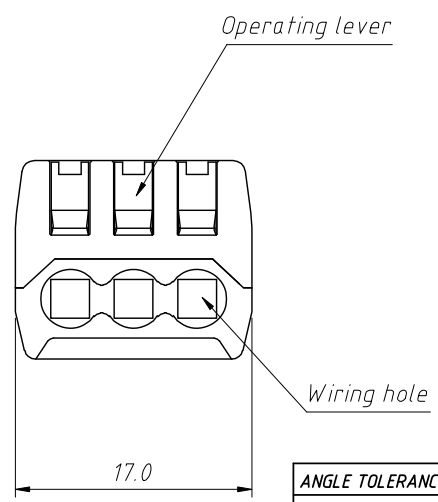
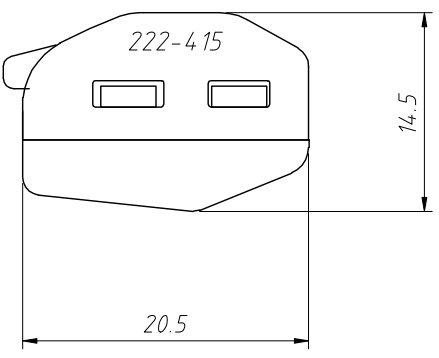
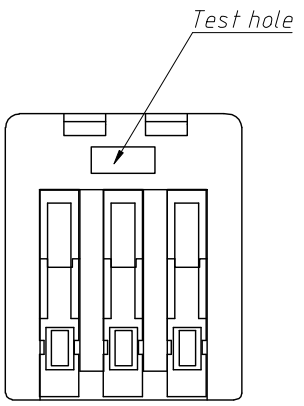
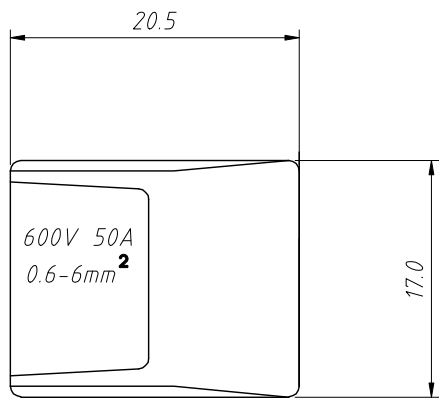
Electrical data:
 Rated voltage (II / 2):400V
 Rated impulse voltage (II / 2) :4 kV
 Rated current :32 A
 Legend (ratings):(II / 2)
 Overvoltage category:II
 Pollution degree:2
Connection data:
 Connection technology:CAGE CLAMP®
 Actuation type:Lever
 Connectable conductor materials:Copper
 Nominal cross section:2.5 mm²
 Solid conductor:0.08~2.5 mm² / 28~12 AWG
 Stranded conductor:0.08~2.5 mm² / 28~12 AWG
 Fine-stranded conductor:0.08~4.0 mm² / 28~12 AWG
 Strip length:9~10 mm / 0.35~0.39 Inch
 Type of wiring:Side-entry wiring
Material Data:
 Color:Gray
 Flammability class per UL 94 V2

Order Information:
 L-KLS2-CT258-02P-1-□
 L: RoHS
 Terminal Blocks
 XX-No.of 02~08 pins
 Shell Color:
 1-Gray shell
 Handle Color:
 NONE-Orange press handle
 G-Green press handle
 Y-Yellow press handle

ANGLE TOLERANCE	PROJECTION	Description:	Wire Splice Connectors,For 2.5mm ²
±3°			02,03,04,05,08 pins
GENERAL TOLERANCE	UNITS	mm	KLS P/N:
x.x ±0.30	SHEET SIZE	A4	L-KLS2-CT258-02P-1-□
x.xx ±0.20	Draw:	Daniel	2021-11-05
x.xxx ±0.10	Check:	Daniel	2021-11-05



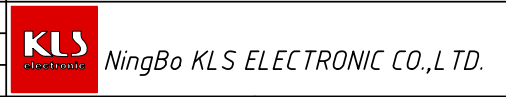
1
RoHS Compliance



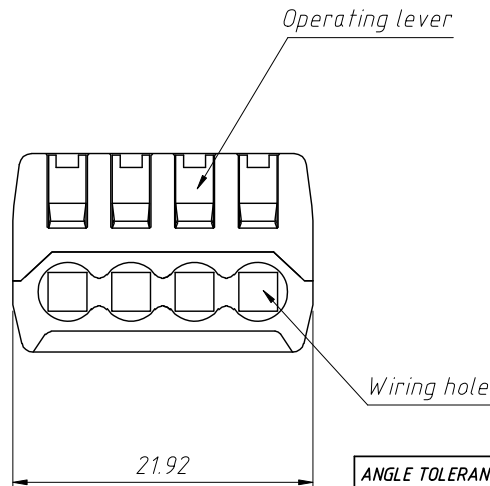
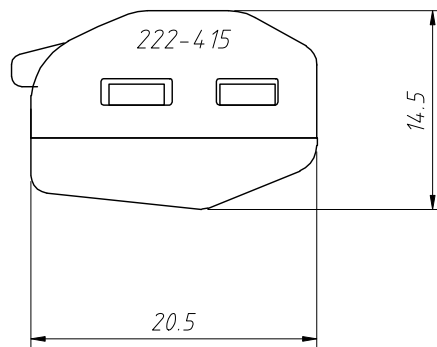
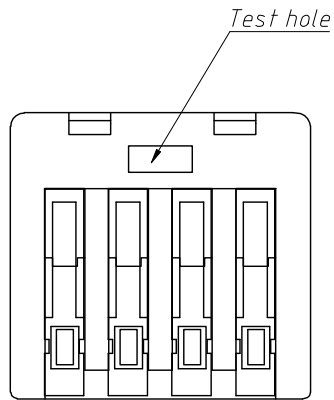
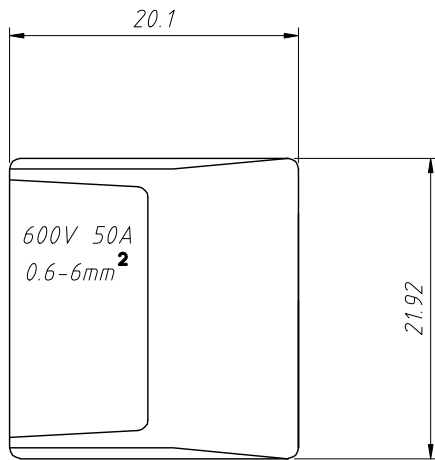
Electrical data:
 Rated voltage (II / 2):400V
 Rated impulse voltage (II / 2) :4 kV
 Rated current :32 A
 Legend (ratings):(II / 2)
 Overvoltage category:II
 Pollution degree:2
Connection data:
 Connection technology:CAGE CLAMP®
 Actuation type:Lever
 Connectable conductor materials:Copper
 Nominal cross section:2.5 mm²
 Solid conductor:0.08~2.5 mm² / 28~12 AWG
 Stranded conductor:0.08~2.5 mm² / 28~12 AWG
 Fine-stranded conductor:0.08~4.0 mm² / 28~12 AWG
 Strip length:9~10 mm / 0.35~0.39 Inch
 Type of wiring:Side-entry wiring
Material Data:
 Color:Gray
 Flammability class per UL 94 V2

Order Information:
 L-KLS2-CT258-03P-1-□
 L: RoHS
 Terminal Blocks
 XX-No. of 02~08 pins
 Shell Color:
 1-Gray shell
 Handle Color:
 NONE-Orange press handle
 G-Green press handle
 Y-Yellow press handle

ANGLE TOLERANCE	PROJECTION	Description:	Wire Splice Connectors,For 2.5mm ² 02,03,04,05,08 pins
±3°			
GENERAL TOLERANCE	UNITS	mm	KLS P/N: L-KLS2-CT258-03P-1-□
x.x ±0.30	SHEET SIZE	A4	
x.xx ±0.20	Draw:	Daniel	2021-11-05
x.xxx ±0.10	Check:	Daniel	2021-11-05



1
RoHS Compliance



Electrical data:

Rated voltage (II / 2):400V

Rated impulse voltage (II / 2) :4 kV

Rated current :32 A

Legend (ratings):(II / 2)

Overvoltage category:II

Pollution degree:2

Connection data:

Connection technology:CAGE CLAMP®

Actuation type:Lever

Connectable conductor materials:Copper

Nominal cross section:2.5 mm²

Solid conductor:0.08~2.5 mm² / 28~12 AWG

Stranded conductor:0.08~2.5 mm² / 28~12 AWG

Fine-stranded conductor:0.08~4.0 mm² / 28~12 AWG

Strip length:9~10 mm / 0.35~0.39 Inch

Type of wiring:Side-entry wiring

Material Data:

Color:Gray

Flammability class per UL 94 V2

Order Information:

L-KLS2-CT258-04P-1-□

L: RoHS

Terminal Blocks

XX-No.of 02~08 pins

Shell Color:

1-Gray shell

Handle Color:

NONE-Orange press handle

G-Green press handle

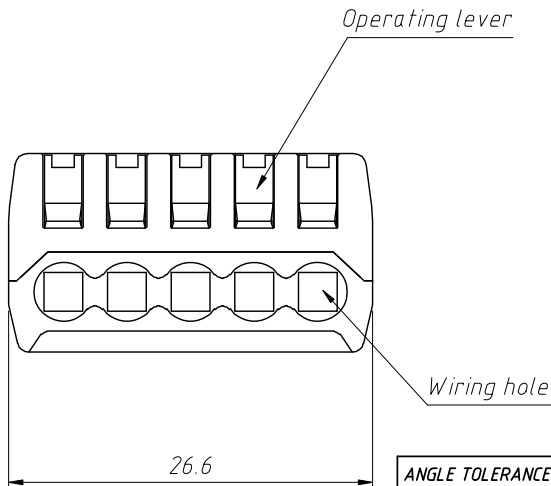
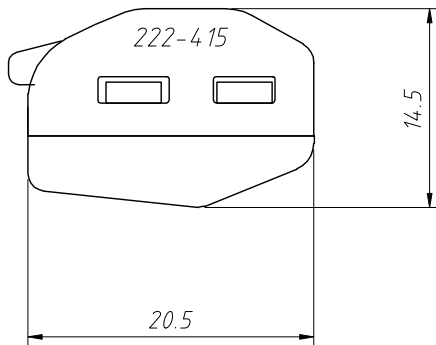
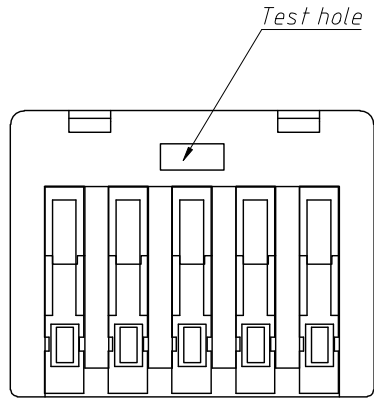
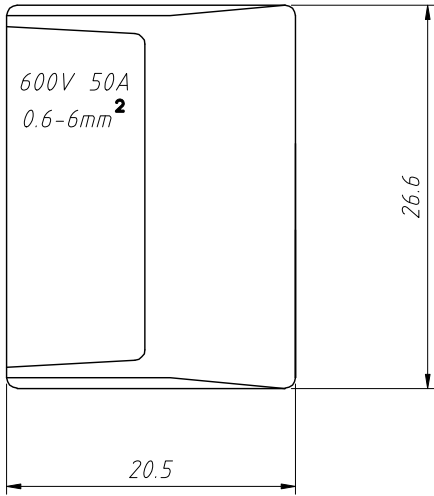
Y-Yellow press handle

ANGLE TOLERANCE	PROJECTION	Description:	Wire Splice Connectors,For 2.5mm ²
±3°			02,03,04,05,08 pins
GENERAL TOLERANCE	UNITS	mm	KLS P/N:
x.x ±0.30	SHEET SIZE	A4	L-KLS2-CT258-04P-1-□
x.xx ±0.20	Draw:	Daniel	2021-11-05
x.xxx ±0.10	Check:	Daniel	2021-11-05



NingBo KLS ELECTRONIC CO.,L TD.

1
RoHS Compliance



Electrical data:
 Rated voltage (II / 2):400V
 Rated impulse voltage (II / 2) :4 kV
 Rated current :32 A
 Legend (ratings):(II / 2)
 Overvoltage category:II
 Pollution degree:2
 Connection data:
 Connection technology:CAGE CLAMP®
 Actuation type:Lever
 Connectable conductor materials:Copper
 Nominal cross section:2.5 mm²
 Solid conductor:0.08~2.5 mm² / 28~12 AWG
 Stranded conductor:0.08~2.5 mm² / 28~12 AWG
 Fine-stranded conductor:0.08~4.0 mm² / 28~12 AWG
 Strip length:9~10 mm / 0.35~0.39 Inch
 Type of wiring:Side-entry wiring
 Material Data:
 Color:Gray
 Flammability class per UL94 V2

Order Information:

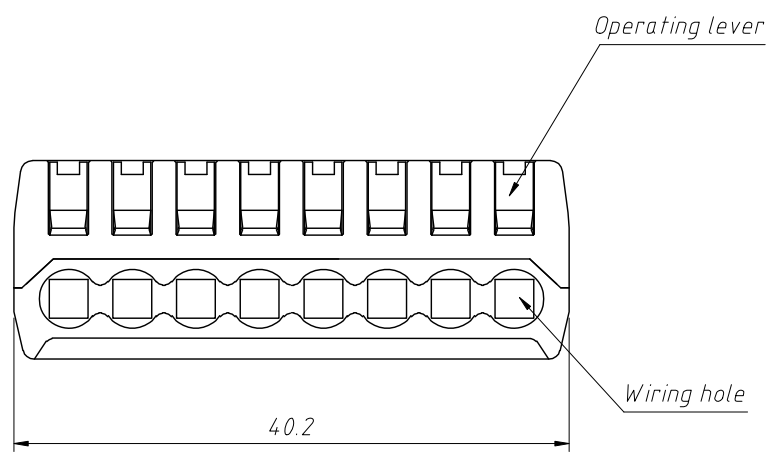
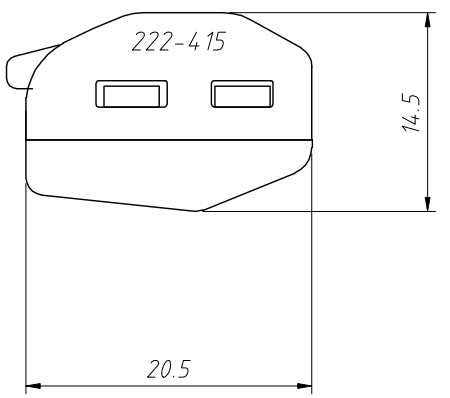
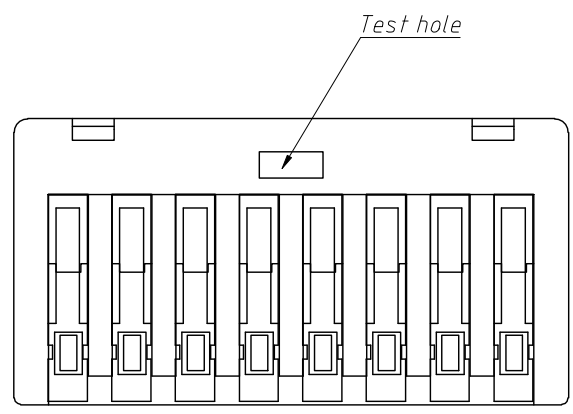
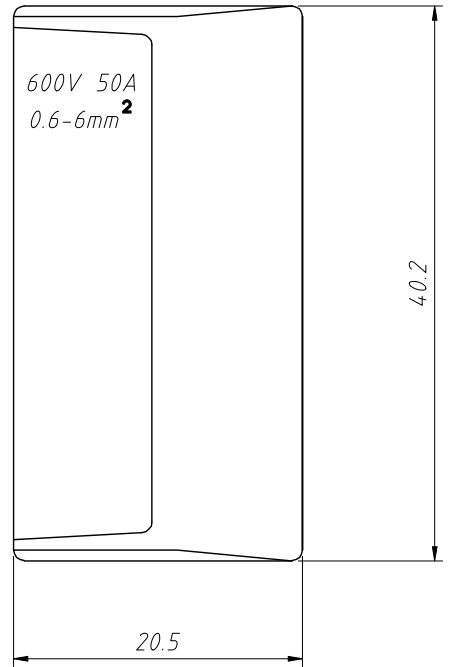
L-KLS2-CT258-05P-1-□
 L: RoHS
 Terminal Blocks
 XX-No.of 02~08 pins
 Shell Color:
 1-Gray shell
 Handle Color:
 NONE-Orange press handle
 G-Green press handle
 Y-Yellow press handle

ANGLE TOLERANCE	PROJECTION	Description:	Wire Splice Connectors,For 2.5mm ²
±3°			02,03,04,05,08 pins
GENERAL TOLERANCE	UNITS	mm	KLS P/N:
x.x ±0.30	SHEET SIZE	A4	L-KLS2-CT258-05P-1-□
x.xx ±0.20	Draw:	Daniel	2021-11-05
x.xxx ±0.10	Check:	Daniel	2021-11-05



NingBo KLS ELECTRONIC CO.,L TD.

1
RoHS Compliance



Electrical data:
 Rated voltage (II / 2): 400V
 Rated impulse voltage (II / 2) : 4 kV
 Rated current : 32 A
 Legend (ratings): (II / 2)
 Overvoltage category: II
 Pollution degree: 2
Connection data:
 Connection technology: CAGE CLAMP®
 Actuation type: Lever
 Connectable conductor materials: Copper
 Nominal cross section: 2.5 mm²
 Solid conductor: 0.08 ~ 2.5 mm² / 28 ~ 12 AWG
 Stranded conductor: 0.08 ~ 2.5 mm² / 28 ~ 12 AWG
 Fine-stranded conductor: 0.08 ~ 4.0 mm² / 28 ~ 12 AWG
 Strip length: 9 ~ 10 mm / 0.35 ~ 0.39 Inch
 Type of wiring: Side-entry wiring
Material Data:
 Color: Gray
 Flammability class per UL 94 V2

Order Information:
 L-KLS2-CT258-08P-1-□
 L: RoHS
 Terminal Blocks
 XX-No. of 02 ~ 08 pins
 Shell Color:
 1-Gray shell
 Handle Color:
 NONE-Orange press handle
 G-Green press handle
 Y-Yellow press handle

ANGLE TOLERANCE	PROJECTION	Description:	Wire Splice Connectors, For 2.5mm ²
±3°			02, 03, 04, 05, 08 pins
GENERAL TOLERANCE	UNITS	mm	KLS P/N: L-KLS2-CT258-08P-1-□
x.x ±0.30	SHEET SIZE	A4	NingBo KLS ELECTRONIC CO., L TD.
x.xx ±0.20	Draw:	Daniel 2021-11-05	
x.xxx ±0.10	Check:	Daniel 2021-11-05	