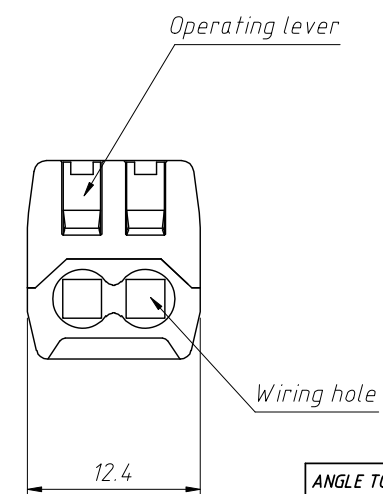
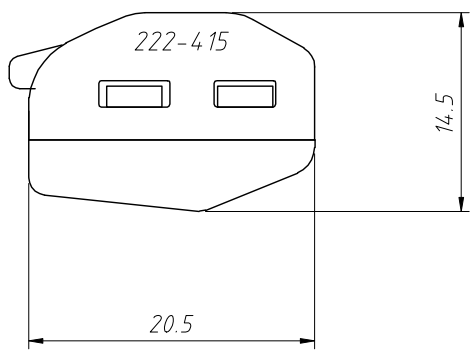
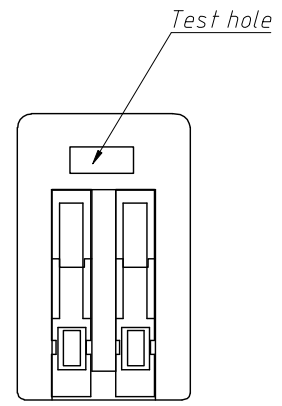
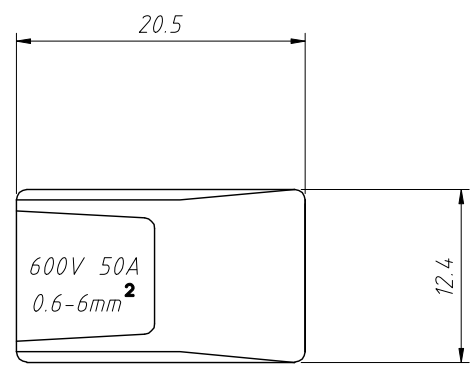


1
RoHS Compliance



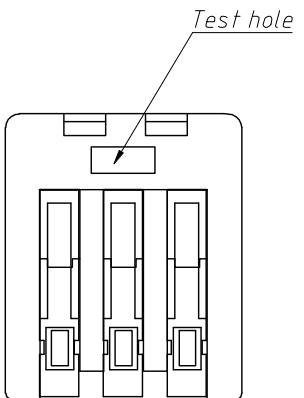
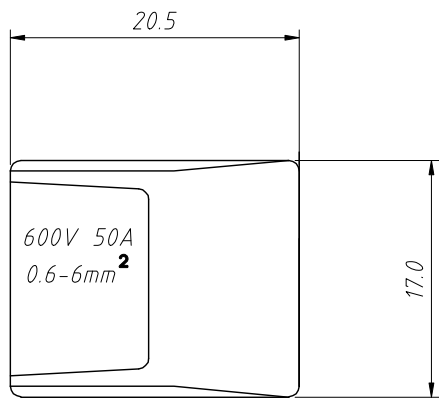
Electrical data:
 Rated voltage (II / 2):400V
 Rated impulse voltage (II / 2) :4 kV
 Rated current :32 A
 Legend (ratings):(II / 2)
 Overvoltage category:II
 Pollution degree:2
Connection data:
 Connection technology:CAGE CLAMP®
 Actuation type:Lever
 Connectable conductor materials:Copper
 Nominal cross section:2.5 mm²
 Solid conductor:0.08~2.5 mm² / 28~12 AWG
 Stranded conductor:0.08~2.5 mm² / 28~12 AWG
 Fine-stranded conductor:0.08~4.0 mm² / 28~12 AWG
 Strip length:9~10 mm / 0.35~0.39 Inch
 Type of wiring:Side-entry wiring
Material Data:
 Color:Transparent color
 Flammability class per UL 94 V2

Order Information:
 L-KLS2-CT258B-02P

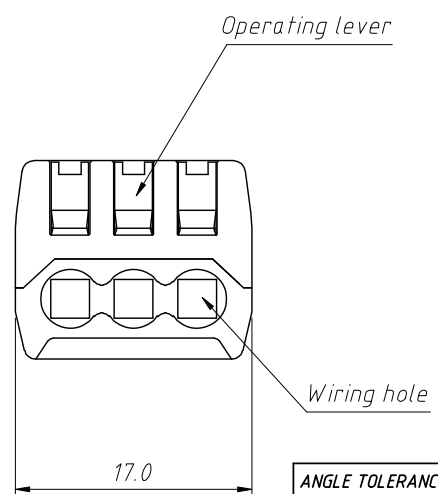
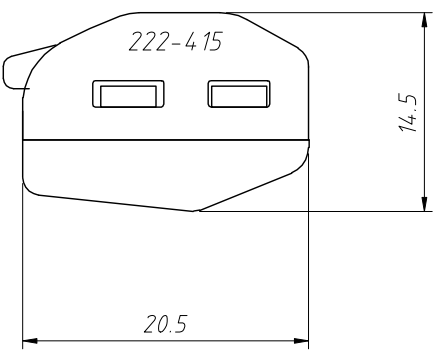
 L: RoHS
 Terminal Blocks
 XX-No. of 02~08 pins

ANGLE TOLERANCE	PROJECTION		Description:	Wire Splice Connectors,For 2.5mm ²
±3°				02,03,04,05,08 pins
GENERAL TOLERANCE	UNITS	mm	KLS P/N:	L-KLS2-CT258B-02P
x.x ±0.30	SHEET SIZE	A4		NingBo KLS ELECTRONIC CO.,L TD.
x.xx ±0.20	Draw:	Daniel	2021-11-05	
x.xxx ±0.10	Check:	Daniel	2021-11-05	

1
RoHS Compliance



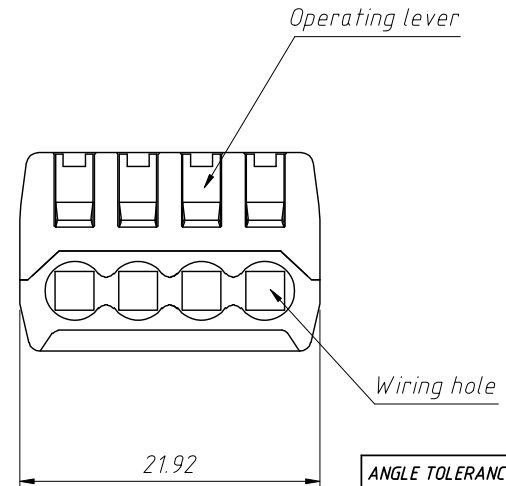
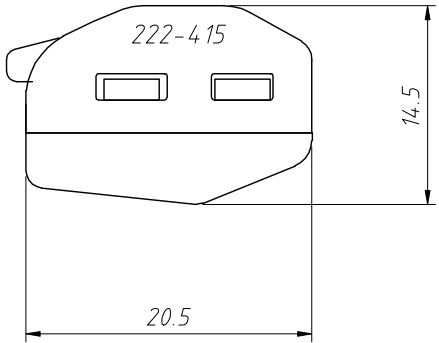
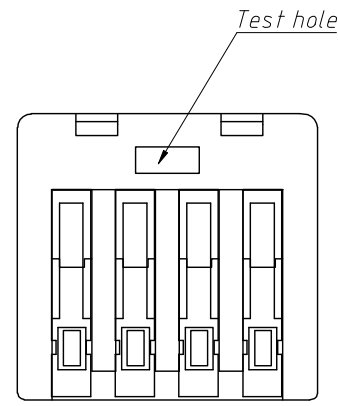
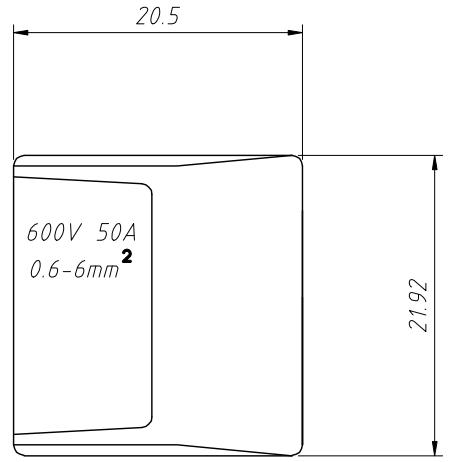
Electrical data:
 Rated voltage (II / 2): 400V
 Rated impulse voltage (II / 2) : 4 kV
 Rated current : 32 A
 Legend (ratings): (II / 2)
 Overvoltage category: II
 Pollution degree: 2
Connection data:
 Connection technology: CAGE CLAMP®
 Actuation type: Lever
 Connectable conductor materials: Copper
 Nominal cross section: 2.5 mm²
 Solid conductor: 0.08 ~ 2.5 mm² / 28 ~ 12 AWG
 Stranded conductor: 0.08 ~ 2.5 mm² / 28 ~ 12 AWG
 Fine-stranded conductor: 0.08 ~ 4.0 mm² / 28 ~ 12 AWG
 Strip length: 9 ~ 10 mm / 0.35 ~ 0.39 Inch
 Type of wiring: Side-entry wiring
Material Data:
 Color: Transparent color
 Flammability class per UL 94 V2



Order Information:
 L-KLS2-CT258B-03P
 L: RoHS
 Terminal Blocks
 XX-No. of 02 ~ 08 pins

ANGLE TOLERANCE	PROJECTION	Description:	Wire Splice Connectors, For 2.5mm ²
±3°			02, 03, 04, 05, 08 pins
GENERAL TOLERANCE	UNITS	mm	KLS P/N: L-KLS2-CT258B-03P
x.x ±0.30	SHEET SIZE	A4	NingBo KLS ELECTRONIC CO., L TD.
x.xx ±0.20	Draw:	Daniel 2021-11-05	
x.xxx ±0.10	Check:	Daniel 2021-11-05	

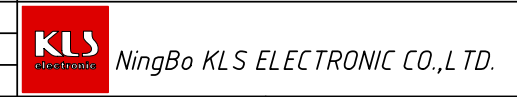
1
RoHS Compliance



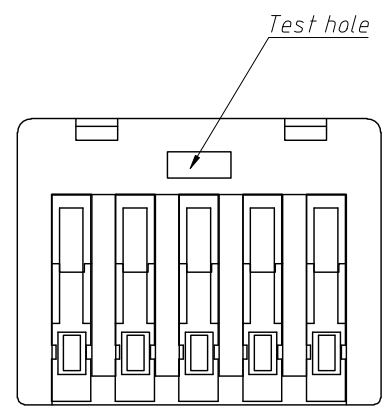
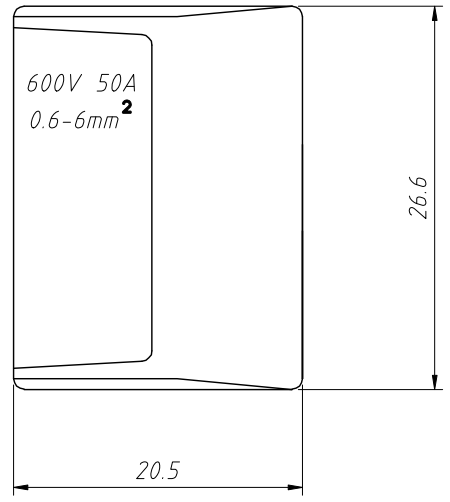
Electrical data:
 Rated voltage (II / 2):400V
 Rated impulse voltage (II / 2) :4 kV
 Rated current :32 A
 Legend (ratings):(II / 2)
 Overvoltage category:II
 Pollution degree:2
Connection data:
 Connection technology:CAGE CLAMP®
 Actuation type:Lever
 Connectable conductor materials:Copper
 Nominal cross section:2.5 mm²
 Solid conductor:0.08~2.5 mm² / 28~12 AWG
 Stranded conductor:0.08~2.5 mm² / 28~12 AWG
 Fine-stranded conductor:0.08~4.0 mm² / 28~12 AWG
 Strip length:9~10 mm / 0.35~0.39 Inch
 Type of wiring:Side-entry wiring
Material Data:
 Color:Transparent color
 Flammability class per UL 94 V2

Order Information:
 L-KLS2-CT258B-04P
 L: RoHS
 Terminal Blocks
 XX-No.of 02~08 pins

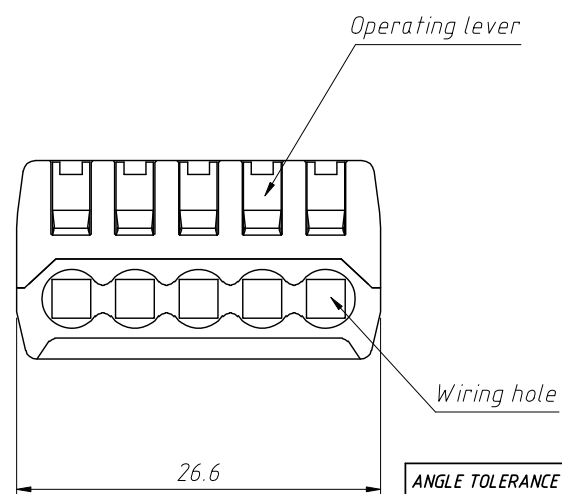
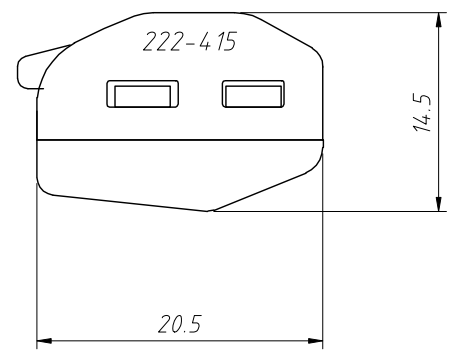
ANGLE TOLERANCE	PROJECTION	Description:	Wire Splice Connectors,For 2.5mm ² 02,03,04,05,08 pins
±3°			
GENERAL TOLERANCE	UNITS	mm	KLS P/N: L-KLS2-CT258B-04P
x.x ±0.30	SHEET SIZE	A4	
x.xx ±0.20	Draw:	Daniel	2021-11-05
x.xxx ±0.10	Check:	Daniel	2021-11-05



1
RoHS Compliance

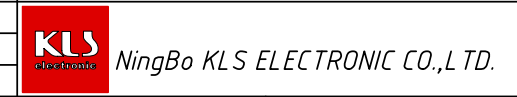


Electrical data:
 Rated voltage (II / 2):400V
 Rated impulse voltage (II / 2) :4 kV
 Rated current :32 A
 Legend (ratings):(II / 2)
 Overvoltage category:II
 Pollution degree:2
Connection data:
 Connection technology:CAGE CLAMP®
 Actuation type:Lever
 Connectable conductor materials:Copper
 Nominal cross section:2.5 mm²
 Solid conductor:0.08~2.5 mm² / 28~12 AWG
 Stranded conductor:0.08~2.5 mm² / 28~12 AWG
 Fine-stranded conductor:0.08~4.0 mm² / 28~12 AWG
 Strip length:9~10 mm / 0.35~0.39 Inch
 Type of wiring:Side-entry wiring
Material Data:
 Color:Transparent color
 Flammability class per UL94 V2

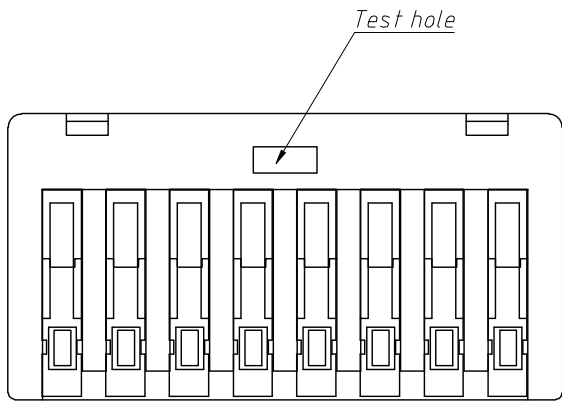
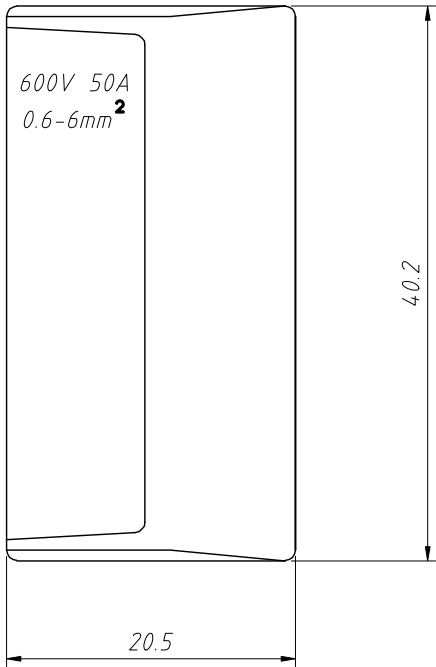


Order Information:
 L-KLS2-CT258B-05P
 L: RoHS
 Terminal Blocks
 XX-No.of 02~08 pins

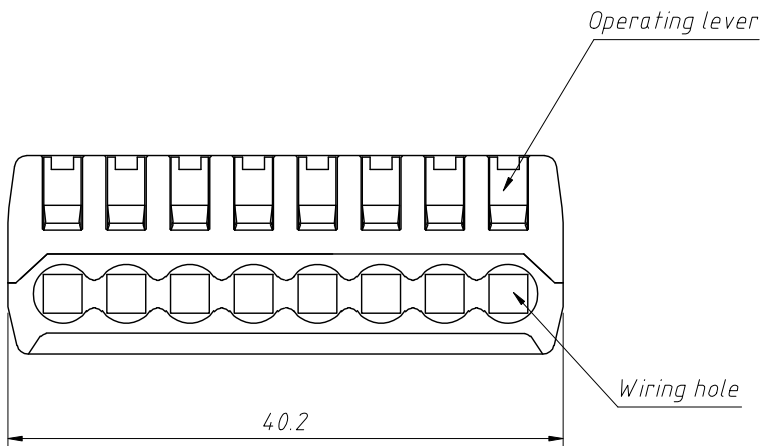
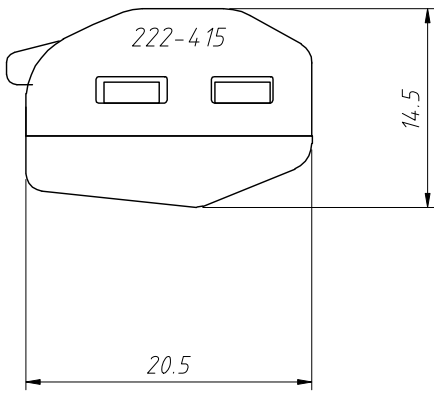
ANGLE TOLERANCE	PROJECTION	Description:	Wire Splice Connectors,For 2.5mm ² 02,03,04,05,08 pins
±3°			
GENERAL TOLERANCE	UNITS	mm	KLS P/N: L-KLS2-CT258B-05P
x.x ±0.30	SHEET SIZE	A4	
x.xx ±0.20	Draw:	Daniel	2021-11-05
x.xxx ±0.10	Check:	Daniel	2021-11-05



1
RoHS Compliance



Electrical data:
 Rated voltage (II / 2): 400V
 Rated impulse voltage (II / 2) : 4 kV
 Rated current : 32 A
 Legend (ratings): (II / 2)
 Overvoltage category: II
 Pollution degree: 2
Connection data:
 Connection technology: CAGE CLAMP®
 Actuation type: Lever
 Connectable conductor materials: Copper
 Nominal cross section: 2.5 mm²
 Solid conductor: 0.08 ~ 2.5 mm² / 28 ~ 12 AWG
 Stranded conductor: 0.08 ~ 2.5 mm² / 28 ~ 12 AWG
 Fine-stranded conductor: 0.08 ~ 4.0 mm² / 28 ~ 12 AWG
 Strip length: 9 ~ 10 mm / 0.35 ~ 0.39 Inch
 Type of wiring: Side-entry wiring
Material Data:
 Color: Transparent color
 Flammability class per UL 94 V2



Order Information:
 L-KLS2-CT258B-08P
 L: RoHS
 Terminal Blocks
 XX-No. of 02 ~ 08 pins

ANGLE TOLERANCE	PROJECTION	Description:	Wire Splice Connectors, For 2.5mm ²
±3°			02, 03, 04, 05, 08 pins
GENERAL TOLERANCE	UNITS	mm	KLS P/N: L-KLS2-CT258B-08P
x.x ±0.30	SHEET SIZE	A4	NingBo KLS ELECTRONIC CO., L TD.
x.xx ±0.20	Draw:	Daniel 2021-11-05	
x.xxx ±0.10	Check:	Daniel 2021-11-05	