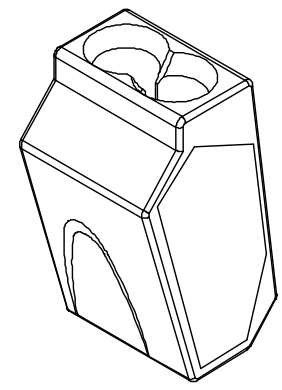
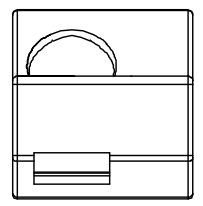
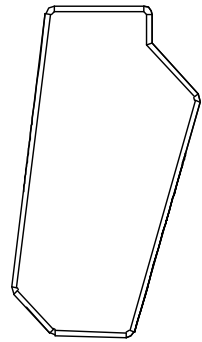
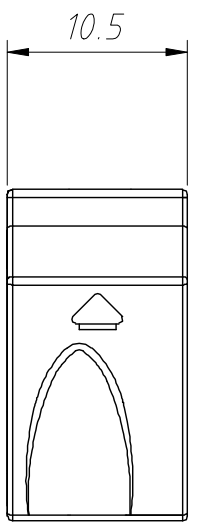
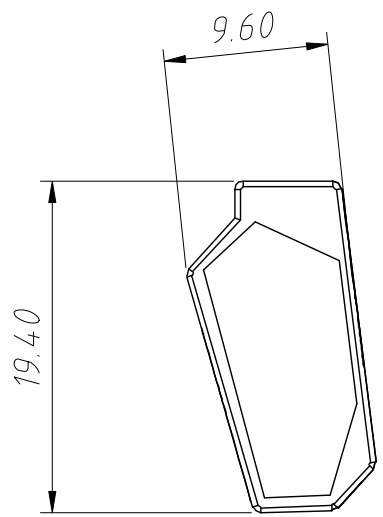


1
RoHS Compliance

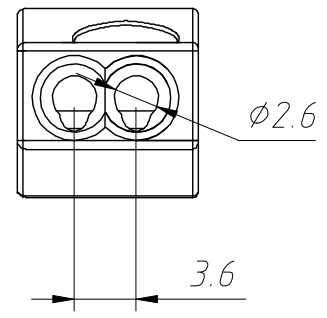


Features:
 Electrical data
 Rated voltage (II / 2): 400 V (IEC) / 600V(UL)
 Rated impulse voltage (II / 2) : 4 kV
 Rated current: 24 A
 Legend (ratings) : II / 2
 Overvoltage category: II
 Pollution degree: 2

Connection data
 Connection technology : CAGE CLAMP®
 Connectable conductor materials: Copper
 Nominal cross section: 1~2.5 mm² / 22~12AWG
 Strip length: 10~13 mm / 0.45 Inch
 Total number of potentials: 1
 Type of wiring: Side-entry wiring
 Material Data
 Color : Gray
 Flammability class per : UL94 V2
 Environmental Requirements
 Surrounding air (operating) temperature : 105 °C



Order Information:
 L-KLS2-219-PC252-6
 L: RoHS
 Terminal Blocks
 PC25 Series 02 pins
 Side shell color Red



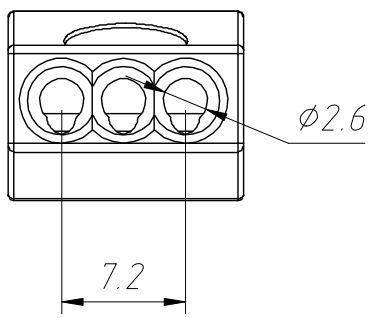
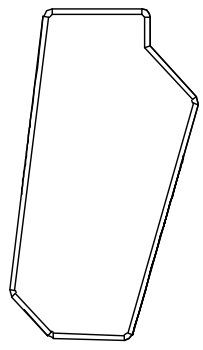
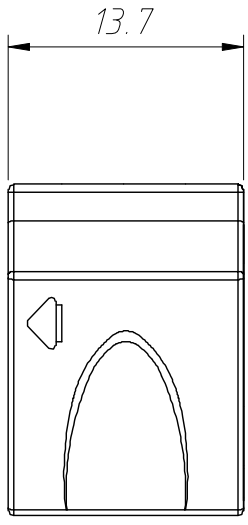
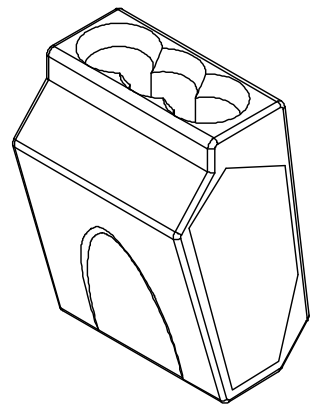
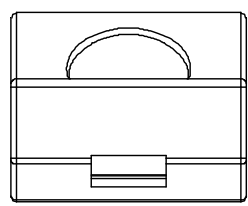
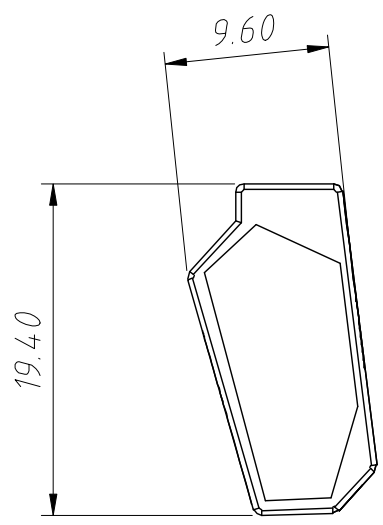
ANGLE TOLERANCE	PROJECTION	Description:	COMPACT Splicing Connector, For all types of conductors 2.5 mm ² , Red.
±3°			
GENERAL TOLERANCE	UNITS	mm	KLS P/N: L-KLS2-219-PC255-1
x.x ±0.30	SHEET SIZE	A4	NingBo KLS ELECTRONIC CO.,L TD.
x.xx ±0.20	Draw:	Daniel 2021-11-05	
x.xxx ±0.10	Check:	Daniel 2021-11-05	

1
RoHS Compliance

Features:
 Electrical data
 Rated voltage (II / 2): 400 V (IEC) / 600V(UL)
 Rated impulse voltage (II / 2) : 4 kV
 Rated current: 24 A
 Legend (ratings) : II / 2
 Overvoltage category: II
 Pollution degree: 2

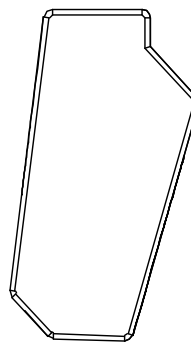
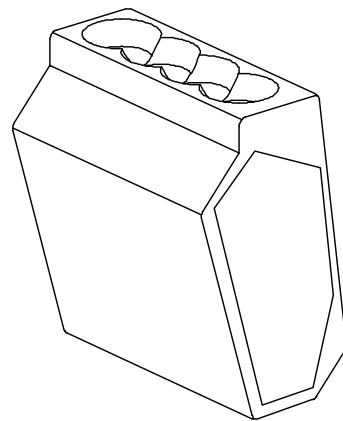
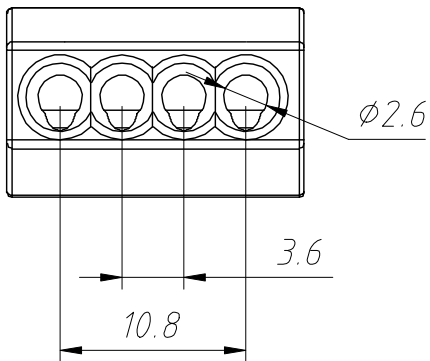
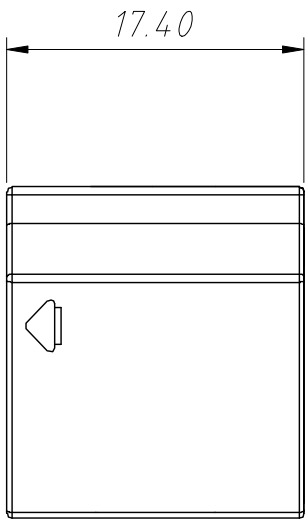
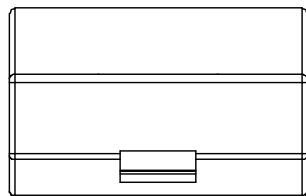
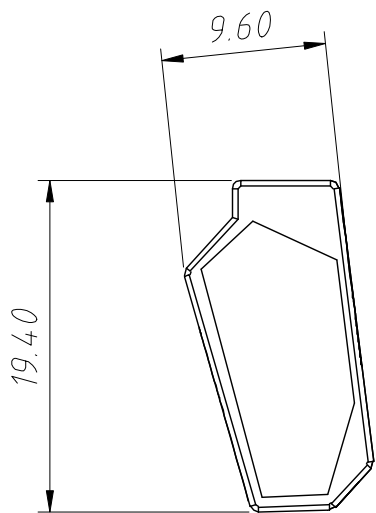
Connection data
 Connection technology :CAGE CLAMP®
 Connectable conductor materials:Copper
 Nominal cross section:1~2.5 mm² /22~12AWG
 Strip length:10~13 mm / 0.45 Inch
 Total number of potentials:1
 Type of wiring:Side-entry wiring
 Material Data
 Color :Gray
 Flammability class per :UL94 V2
 Environmental Requirements
 Surrounding air (operating) temperature :105 °C

Order Information:
 L-KLS2-219-PC253-4
 L: RoHS
 Terminal Blocks
 PC25 Series 03 pins
 Side shell color Green



ANGLE TOLERANCE	PROJECTION	Description:	COMPACT Splicing Connector, For all types of conductors 2.5 mm ² , Green.
±3°			
GENERAL TOLERANCE	UNITS	mm	KLS P/N: L-KLS2-219-PC253-4
x.x ±0.30	SHEET SIZE	A4	NingBo KLS ELECTRONIC CO.,L TD.
x.xx ±0.20	Draw:	Daniel 2021-11-05	
x.xxx ±0.10	Check:	Daniel 2021-11-05	

RoHS Compliance



Features:

Electrical data

Rated voltage (II / 2): 400 V (IEC) / 600V(UL)
 Rated impulse voltage (II / 2) : 4 kV
 Rated current: 24 A
 Legend (ratings) : II / 2
 Overvoltage category: II
 Pollution degree: 2

Connection data

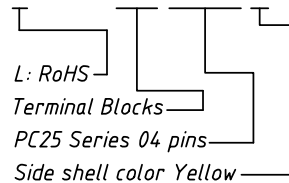
Connection technology : CAGE CLAMP®
 Connectable conductor materials: Copper
 Nominal cross section: 1~2.5 mm² / 22~12AWG
 Strip length: 10~13 mm / 0.45 Inch
 Total number of potentials: 1
 Type of wiring: Side-entry wiring

Material Data

Color : Gray
 Flammability class per : UL94 V2
 Environmental Requirements
 Surrounding air (operating) temperature : 105 °C

Order Information:

L-KLS2-219-PC254-8

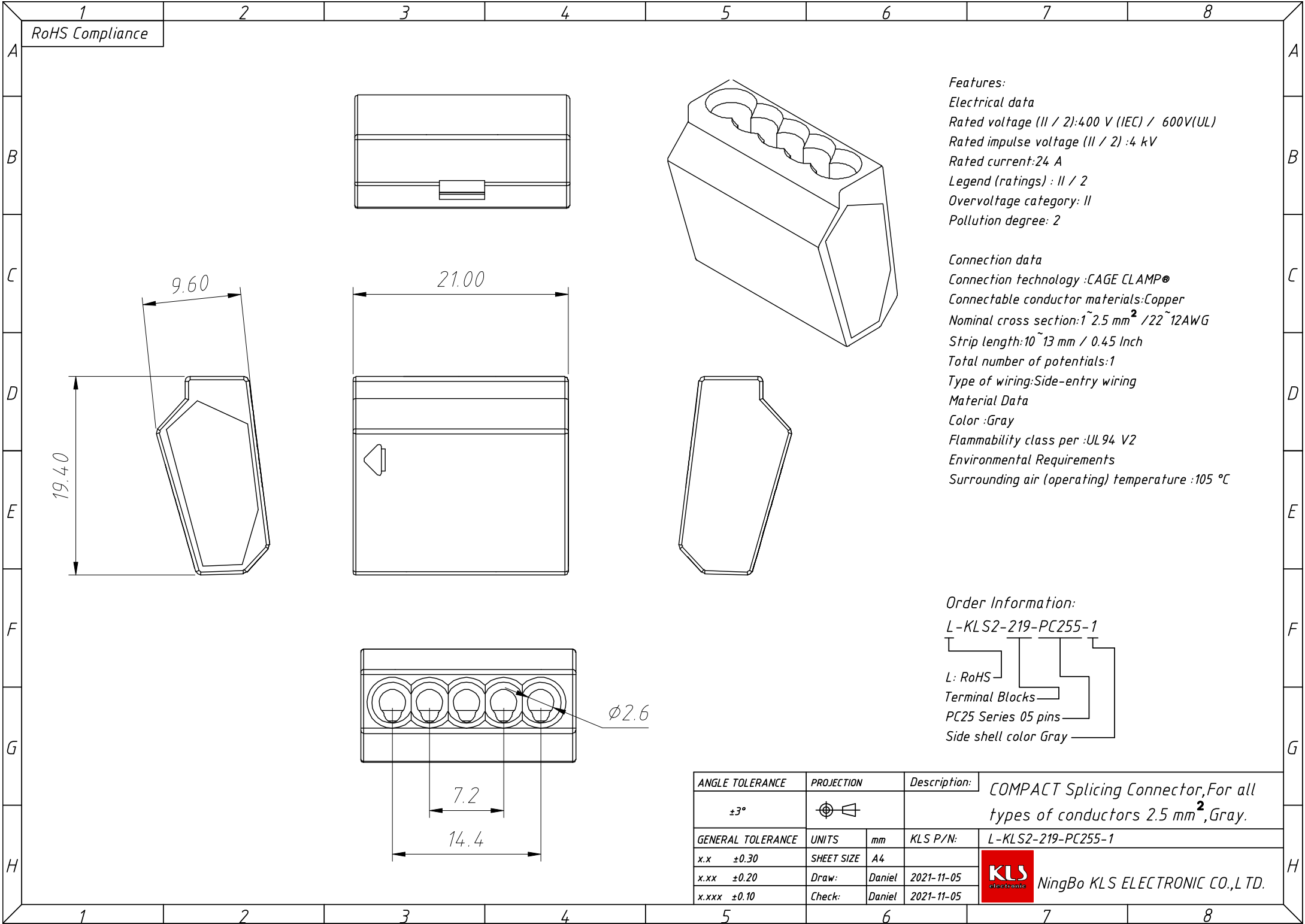


ANGLE TOLERANCE	PROJECTION	Description:	COMPACT Splicing Connector, For all types of conductors 2.5 mm ² , Yellow.
±3°			
GENERAL TOLERANCE	UNITS	mm	KLS P/N: L-KLS2-219-PC254-8
x.x ±0.30	SHEET SIZE	A4	
x.xx ±0.20	Draw:	Daniel	2021-11-05
x.xxx ±0.10	Check:	Daniel	2021-11-05



NingBo KLS ELECTRONIC CO.,L TD.

1
RoHS Compliance



Features:
Electrical data
 Rated voltage (II / 2): 400 V (IEC) / 600V(UL)
 Rated impulse voltage (II / 2): 4 kV
 Rated current: 24 A
 Legend (ratings): II / 2
 Overvoltage category: II
 Pollution degree: 2

Connection data
 Connection technology: CAGE CLAMP®
 Connectable conductor materials: Copper
 Nominal cross section: 1 ~ 2.5 mm² / 22 ~ 12AWG
 Strip length: 10 ~ 13 mm / 0.45 Inch
 Total number of potentials: 1
 Type of wiring: Side-entry wiring
Material Data
 Color: Gray
 Flammability class per: UL94 V2
 Environmental Requirements
 Surrounding air (operating) temperature: 105 °C

Order Information:
 L-KLS2-219-PC255-1
 L: RoHS
 Terminal Blocks
 PC25 Series 05 pins
 Side shell color Gray

ANGLE TOLERANCE	PROJECTION	Description:	COMPACT Splicing Connector, For all types of conductors 2.5 mm ² , Gray.	
±3°				
GENERAL TOLERANCE	UNITS	mm	KLS P/N:	L-KLS2-219-PC255-1
x.x ±0.30	SHEET SIZE	A4		
x.xx ±0.20	Draw:	Daniel	2021-11-05	
x.xxx ±0.10	Check:	Daniel	2021-11-05	

NingBo KLS ELECTRONIC CO., L TD.