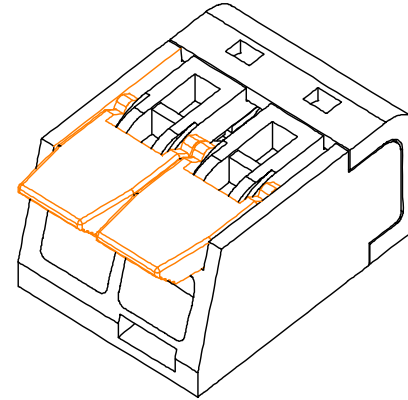
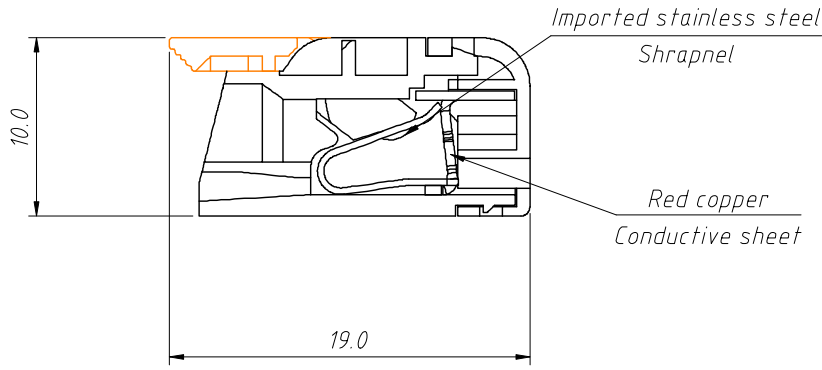


RoHS Compliance



Electrical data
 Rated voltage (II / 2):450 V
 Rated impulse voltage (II / 2):4 kV
 Rated current:32 A
 Legend (ratings):(II / 2)
 Overvoltage category:II
 Pollution degree:2

Connection data
 Connection technology:CAGE CLAMP®
 Actuation type:Lever
 Connectable conductor materials:Copper
 Nominal cross section:4 mm²
 Solid conductor:0.2~4 mm² / 24~12 AWG
 Stranded conductor:0.2~4 mm²/24~12 AWG
 Fine-stranded conductor:0.14~4mm²/24~12AWG
 Total number of potentials:1
 Type of wiring:Side-entry wiring

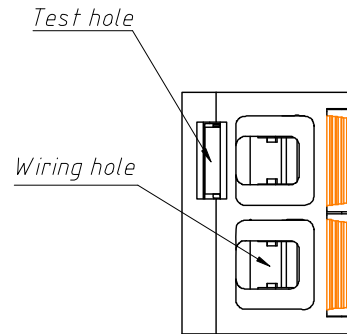
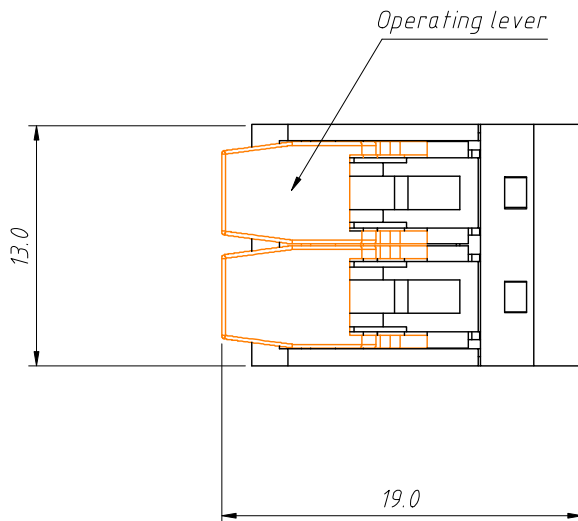
Material Data
 Color:transparent
 Flammability class per UL94:V2

Environmental Requirements
 Surrounding air (operating) temperature:85 °C
 Continuous operating temperature up to:105 °C
 T-Marking per EN 60998:T85

Order Information:

L-KLS2-L78-02P

L: RoHS
 Terminal Blocks
 XX-No. of 02 pins

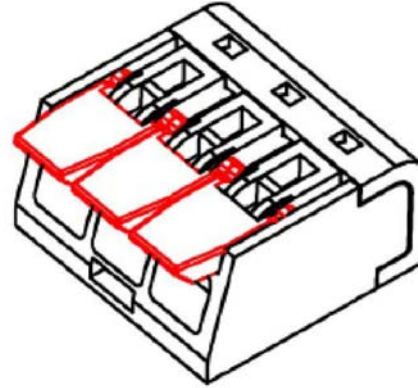
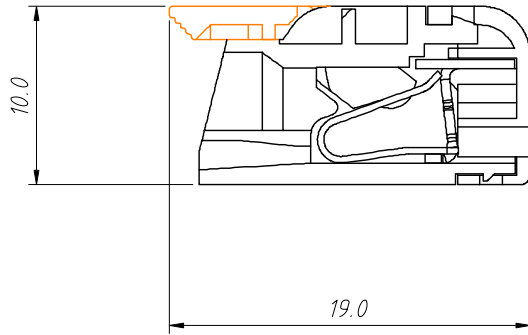


ANGLE TOLERANCE	PROJECTION	Description:	Wago Wire Splice Connectors, For 4mm ² , wago 221-412 221-413 221-414 221-415
±3°			
GENERAL TOLERANCE	UNITS	mm	KLS P/N: L-KLS2-L78-02P
x.x ±0.30	SHEET SIZE	A4	
x.xx ±0.20	Draw:	Daniel	2021-11-05
x.xxx ±0.10	Check:	Daniel	2021-11-05



NingBo KLS ELECTRONIC CO.,LTD.

1 RoHS Compliance



Electrical data
 Rated voltage (II / 2):450 V
 Rated impulse voltage (II / 2):4 kV
 Rated current:32 A
 Legend (ratings):(II / 2)
 Overvoltage category:II
 Pollution degree:2

Connection data
 Connection technology:CAGE CLAMP®
 Actuation type:Lever
 Connectable conductor materials:Copper
 Nominal cross section:4 mm²
 Solid conductor:0.2~4 mm² / 24~12 AWG
 Stranded conductor:0.2~4 mm²/24~12 AWG
 Fine-stranded conductor:0.14~4mm²/24~12AWG
 Total number of potentials:1
 Type of wiring:Side-entry wiring

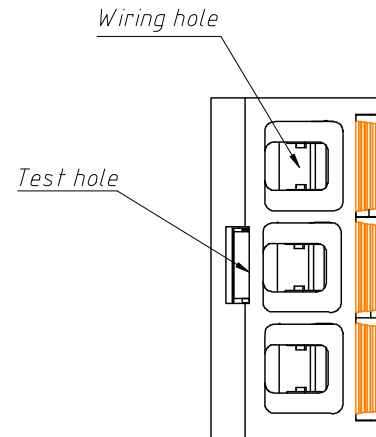
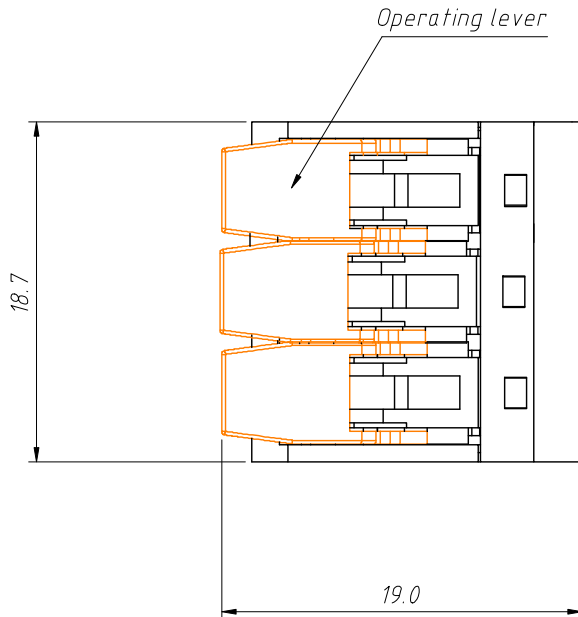
Material Data
 Color:transparent
 Flammability class per UL94:V2

Environmental Requirements
 Surrounding air (operating) temperature:85 °C
 Continuous operating temperature up to:105 °C
 T-Marking per EN 60998:T85

Order Information:

L-KLS2-L78-03P

L: RoHS
 Terminal Blocks
 XX-No. of 03 pins

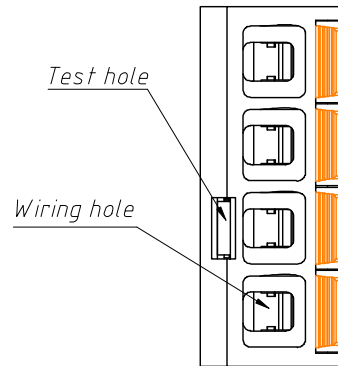
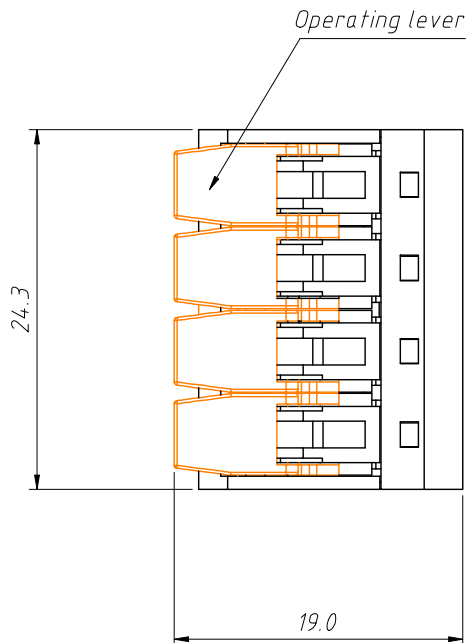
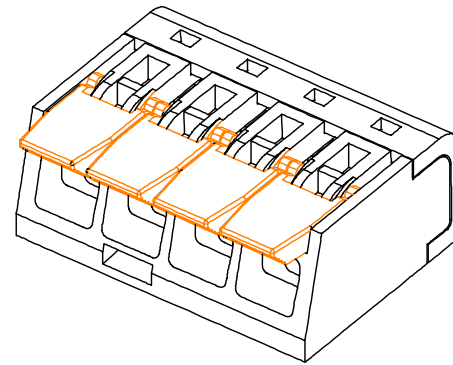
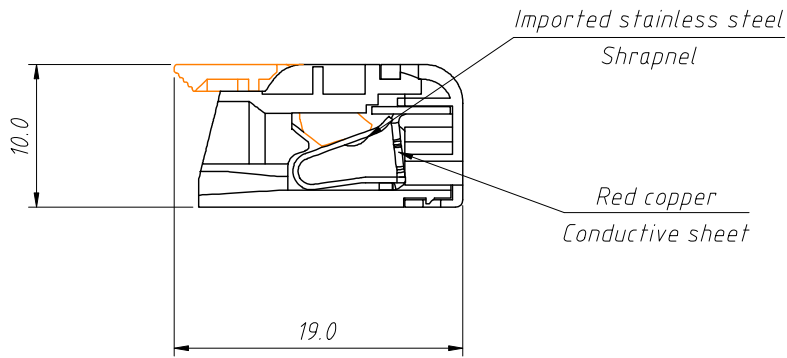


ANGLE TOLERANCE	PROJECTION	Description:	Wago Wire Splice Connectors, For 4mm ² , wago 221-412 221-413 221-414 221-415
±3°			
GENERAL TOLERANCE	UNITS	mm	KLS P/N: L-KLS2-L78-03P
x.x ±0.30	SHEET SIZE	A4	
x.xx ±0.20	Draw:	Daniel	2021-11-05
x.xxx ±0.10	Check:	Daniel	2021-11-05



NingBo KLS ELECTRONIC CO.,LTD.

1 RoHS Compliance



Electrical data
 Rated voltage (II / 2):450 V
 Rated impulse voltage (II / 2):4 kV
 Rated current:32 A
 Legend (ratings):(II / 2)
 Overvoltage category:II
 Pollution degree:2

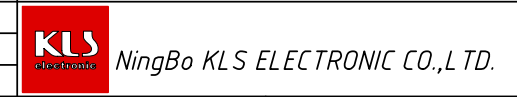
Connection data
 Connection technology:CAGE CLAMP®
 Actuation type:Lever
 Connectable conductor materials:Copper
 Nominal cross section:4 mm²
 Solid conductor:0.2~4 mm² / 24~12 AWG
 Stranded conductor:0.2~4 mm²/24~12 AWG
 Fine-stranded conductor:0.14~4mm²/24~12AWG
 Total number of potentials:1
 Type of wiring:Side-entry wiring

Material Data
 Color:transparent
 Flammability class per UL94:V2

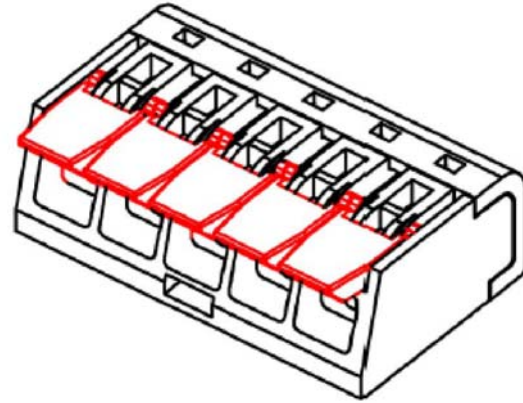
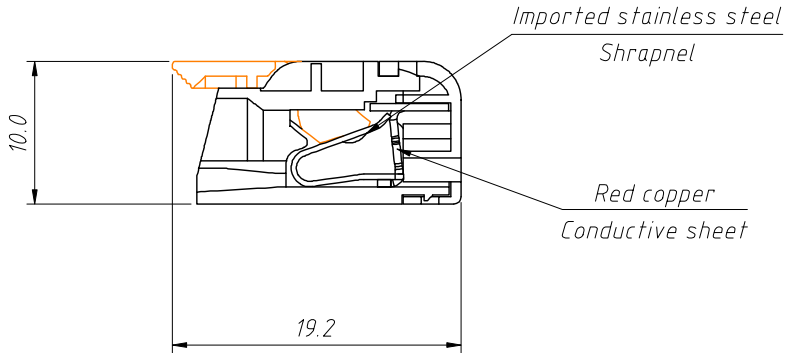
Environmental Requirements
 Surrounding air (operating) temperature:85 °C
 Continuous operating temperature up to:105 °C
 T-Marking per EN 60998:T85

Order Information:
 L-KLS2-L78-04P
 L: RoHS
 Terminal Blocks
 XX-No. of 04 pins

ANGLE TOLERANCE	PROJECTION	Description:	Wago Wire Splice Connectors,For 4mm ² , wago 221-412 221-413 221-414 221-415
±3°			
GENERAL TOLERANCE	UNITS	mm	KLS P/N: L-KLS2-L78-04P
x.x ±0.30	SHEET SIZE	A4	
x.xx ±0.20	Draw:	Daniel	2021-11-05
x.xxx ±0.10	Check:	Daniel	2021-11-05



1 RoHS Compliance



Electrical data
 Rated voltage (II / 2):450 V
 Rated impulse voltage (II / 2):4 kV
 Rated current:32 A
 Legend (ratings):(II / 2)
 Overvoltage category:II
 Pollution degree:2

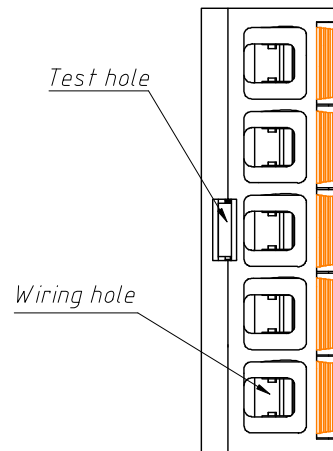
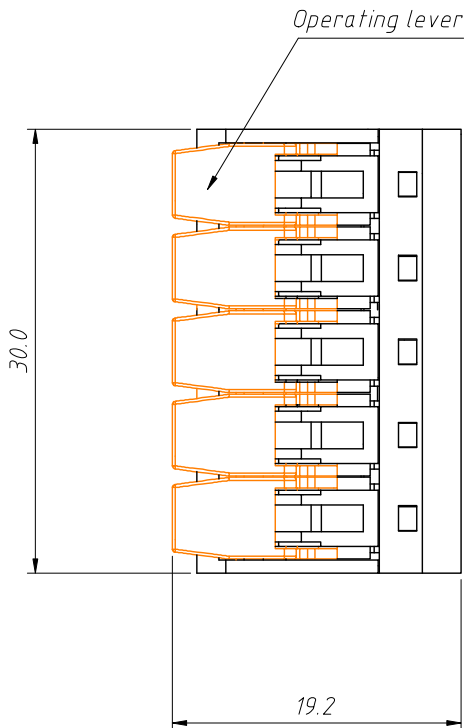
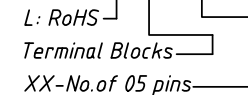
Connection data
 Connection technology:CAGE CLAMP®
 Actuation type:Lever
 Connectable conductor materials:Copper
 Nominal cross section:4 mm²
 Solid conductor:0.2~4 mm² / 24~12 AWG
 Stranded conductor:0.2~4 mm²/24~12 AWG
 Fine-stranded conductor:0.14~4mm²/24~12AWG
 Total number of potentials:1
 Type of wiring:Side-entry wiring

Material Data
 Color:transparent
 Flammability class per UL94:V2

Environmental Requirements
 Surrounding air (operating) temperature:85 °C
 Continuous operating temperature up to:105 °C
 T-Marking per EN 60998:T85

Order Information:

L-KLS2-L78-05P



ANGLE TOLERANCE	PROJECTION	Description:	
±3°		Wago Wire Splice Connectors, For 4mm ² , wago 221-412 221-413 221-414 221-415	
GENERAL TOLERANCE	UNITS	mm	KLS P/N:
x.x ±0.30	SHEET SIZE	A4	L-KLS2-L78-05P
x.xx ±0.20	Draw:	Daniel	2021-11-05
x.xxx ±0.10	Check:	Daniel	2021-11-05



NingBo KLS ELECTRONIC CO.,LTD.