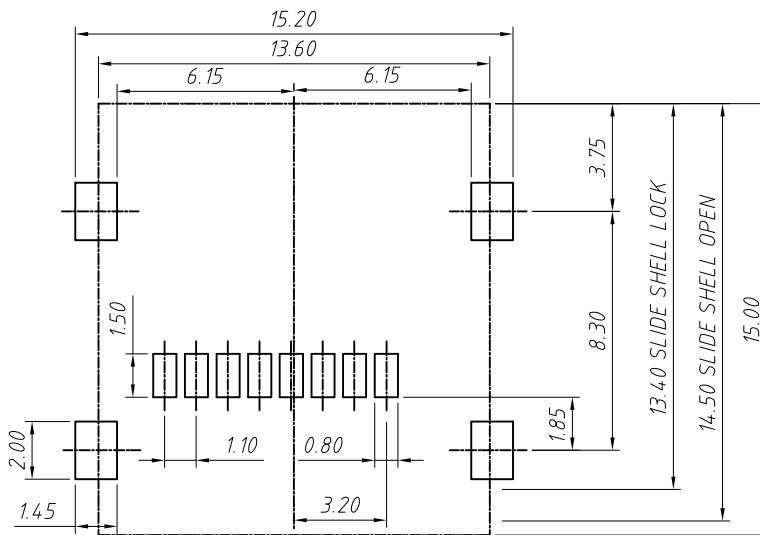
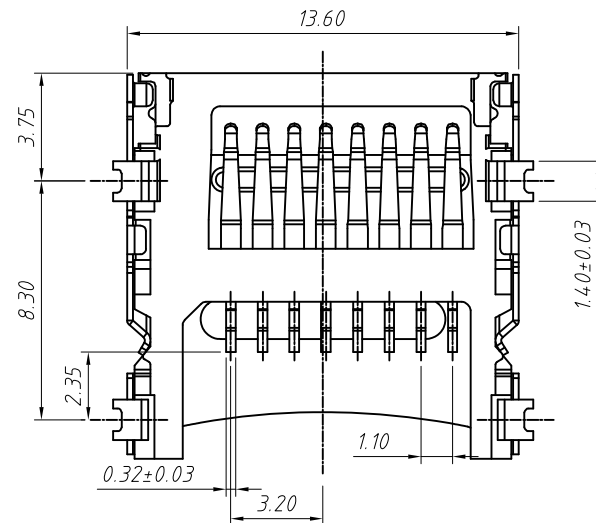


SLIDE SHELL OPEN

SLIDE SHELL LOCK



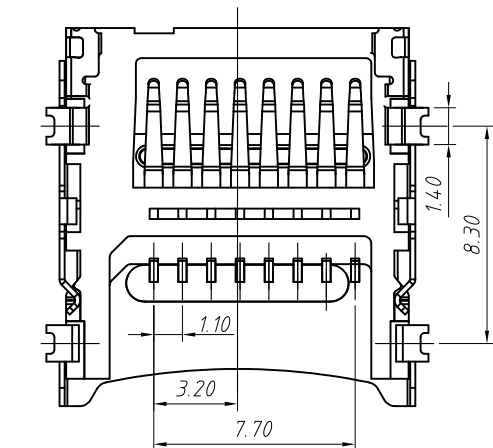
RECOMENDED PCB LAYOUT  
TOLERANCK:±0.05

**Material:**

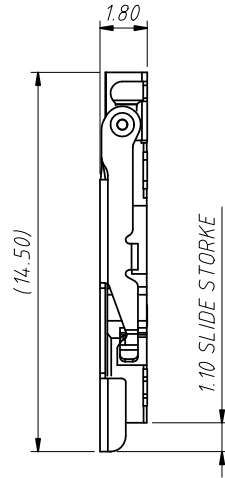
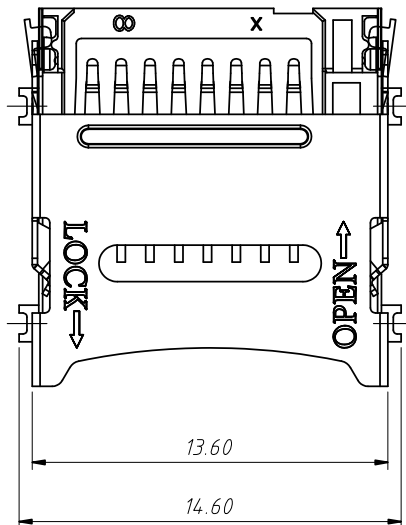
Housing:High Temperature Thermoplastic,UL 94 V-0.Black.  
Terminal:Copper Alloy.  
Stator:Copper Alloy.  
Shell:Stainless Steel.

**Electrical:**

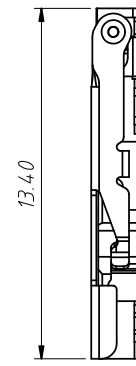
Rated current:1.0A  
Rated Voltage:30V  
Contact Resistance:50mΩ Max.  
Insulation Resistance:100MΩ Min./100V DC  
Dielectric Withstanding Voltage:100V AC.  
Solder ability:245°C ~±5°C ,5±0.5s  
Durability:5000 Cycles.  
Operating Condition:Temperature:-40°C TO +85°C



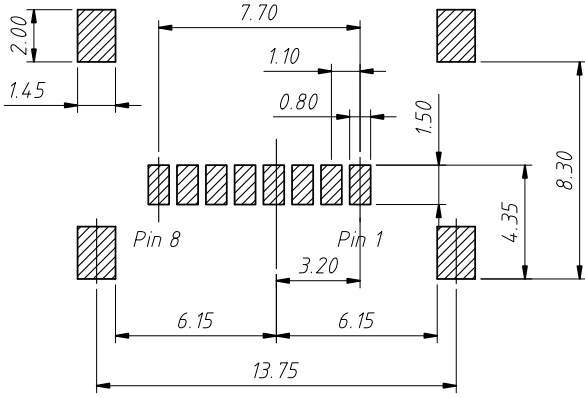
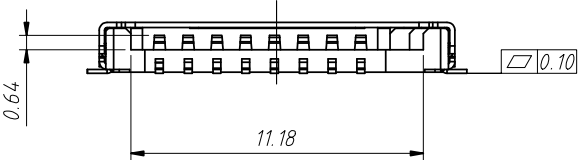
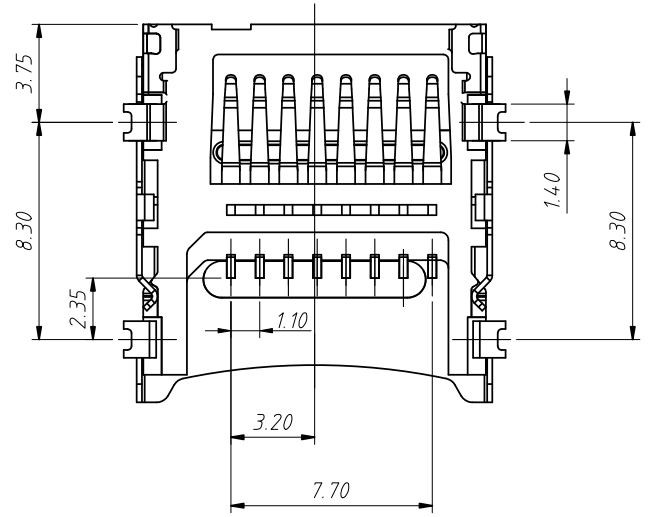
GENERAL TOLERANCE		ANGLE TOLERANCE		PROJECTION	Description:
X. ±0.15		X. ±5°		UNITS	Micro SD Card CONN;HINGED TYPE,H1.5mm
.X ±0.03		.X ±3°		SHEET SIZE	
.XX ±0.05		.XX ±2°		KLS P/N:	L-KLS1-TF-007-H1.5-R
Draw by:	Jenny	Date:	2018-03-10	 NingBo KLS ELECTRONIC CO.,L TD.	
Check by:		Date:	2018-03-10		
SCALE		SHEET	1 OF 1		



SLIDE SHELL CLOSE



SLIDE SHELL OPEN



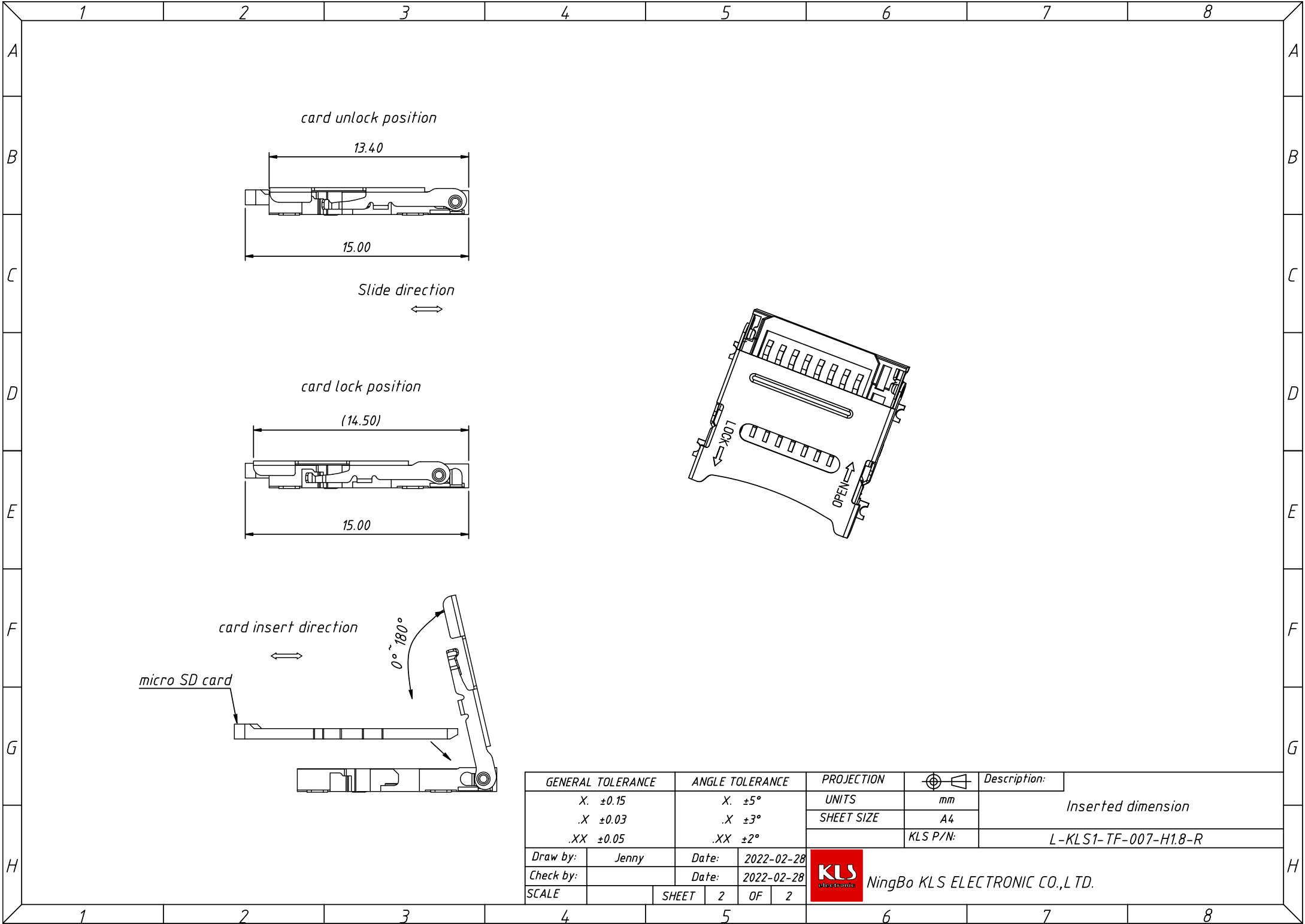
RECOMMENDED PCB LAYOUT  
TOLERANCE: ±0.05

**Material:**  
 Insulator: Hi-Temperature Plastic, UL 94V-0, Black.  
 Terminal: Copper Alloy, AU Plating on all terminal contact area, and tin plating on solder tail area.  
 Shell: Stainless Steel.

**Electrical:**  
 Current Rating: 0.5 A  
 Voltage Rating: 5.0 vrms  
 Insulation Resistance: 1000MΩ Min./500V DC  
 Withstanding Voltage: 250V AC For 1 minute.  
 Contact Resistance: 100mΩ Max. AT 10mA/20mV Max  
 Operating Temp Range: -40°C TO +85°C  
 Mating Cycles: 10000 Insertions.

PIN NO	NAME	TYPE	DESCRIPTION
1	DAT2	I/O/PP	DATE LINE(BIT2)
2	CD/DAT3	I/O/PP	CARD DETECT DATE LINE(BIT3)
3	CMD	PP	COMMAND RESPONSE
4	VDD	S	SUPPLY VOLTAGE
5	CLK	I	CLOCK
6	VSS	S	SUPPLY VOLTAGE GROUND
7	DAT0	I/O/PP	DATE LINE(BIT0)
8	DAT1	I/O/PP	DATE LINE(BIT1)

GENERAL TOLERANCE		ANGLE TOLERANCE		PROJECTION		Description:	
X.	±0.15	X.	±5°	UNITS	mm	Micro SD Card CONN;HINGED TYPE,H1.8mm	
.X	±0.03	.X	±3°	SHEET SIZE	A4		
.XX	±0.05	.XX	±2°	KLS P/N:			
Draw by:	Jenny	Date:	2022-02-28	 NingBo KLS ELECTRONIC CO.,L TD.			
Check by:		Date:	2022-02-28				
SCALE		SHEET	1 OF 2				



<b>GENERAL TOLERANCE</b>		<b>ANGLE TOLERANCE</b>		<b>PROJECTION</b>		<b>Description:</b>
X	±0.15	X	±5°	UNITS	mm	Inserted dimension
.X	±0.03	.X	±3°	SHEET SIZE	A4	
.XX	±0.05	.XX	±2°		KLS P/N:	L-KLS1-TF-007-H1.8-R
Draw by:	Jenny	Date:	2022-02-28	NingBo KLS ELECTRONIC CO.,L TD.		
Check by:		Date:	2022-02-28			
SCALE		SHEET	2 OF 2			