

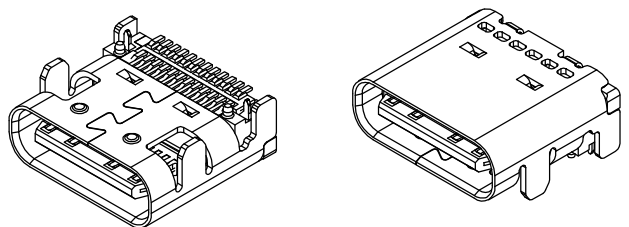
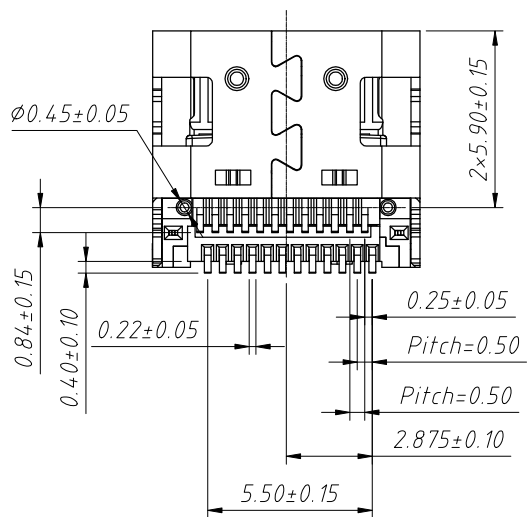
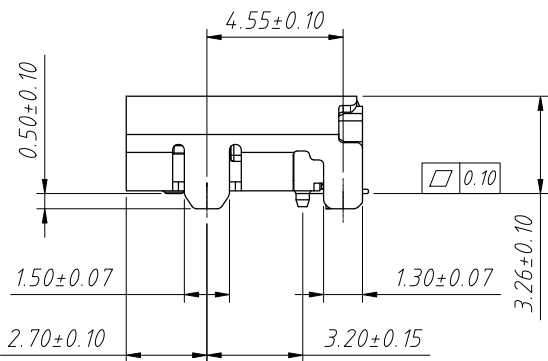
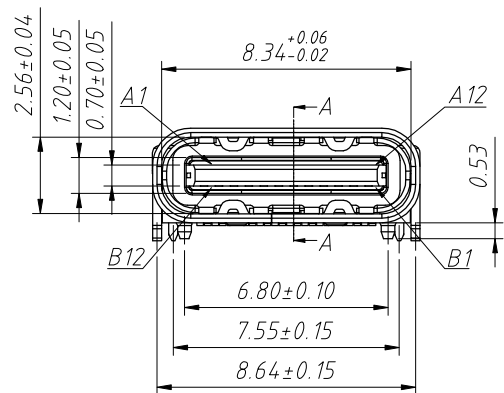
PIN	SIGNAL NAME	PIN	SIGNAL NAME
A1	GND	B12	GND
A2	SSTXP1	B11	SSRXP1
A3	SSTXN1	B10	SSRNX1
A4	VBUS	B9	VBUS
A5	CC1	B8	SBU2
A6	DP1	B7	DN2
A7	DN1	B6	DP2
A8	SBU1	B5	CC2
A9	VBUS	B4	VBUS
A10	SSRXN2	B3	SSTXN2
A11	SSRXP2	B2	SSTXP2
A12	GND	B1	GND


**Material**  
 Housing: LCP+30%G.F, UL 94 V-0  
 Contact: C7025, T=0.15mm; 50u" Nickel Min,  
 Contact area Gold plating (AU 1u")  
 Soldering area Gold plating G/F  
 Middle clip: SUS301, T=0.15mm  
 Shell: SUS304, T=0.30mm, 50u" Nickel Min

**Electrical**  
 Rated current: 5A  
 Contact Resistance: 40Ω Max (Initial value)  
 50Ω Max (After test)  
 Insulation Resistance: 100MΩ Min.  
 Withstand voltage test: 100V AC R.M.S

**Mechanical**  
 Insertion Force : 5N ~ 20N  
 Unmating Force: 8N ~ 20N  
 Thermostability: SMT Reflow soldering  
 (peak value 260°±5°). Plastic can't have bubbles,  
 Bad discoloration such as glue melting,  
 Warpage deformation within tolerance  
 Durability: 10000 Cycles  
 Salt spray test: 48H Min  
 Operating Temperature: -30°C TO +85°C.

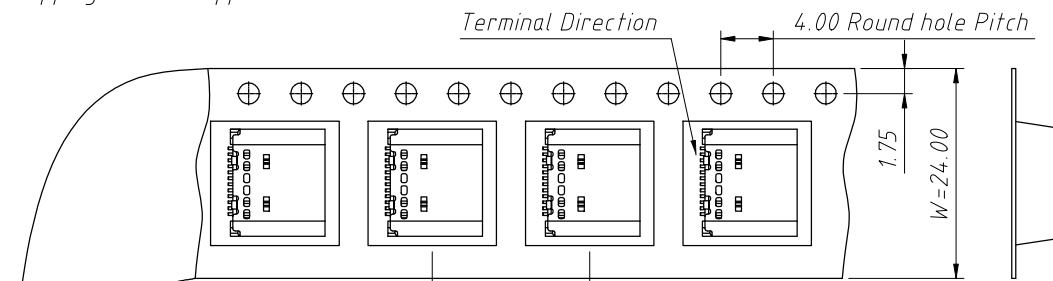
The products must be tested for soldering tin,  
 and the tin bonding area shall reach more than 95%



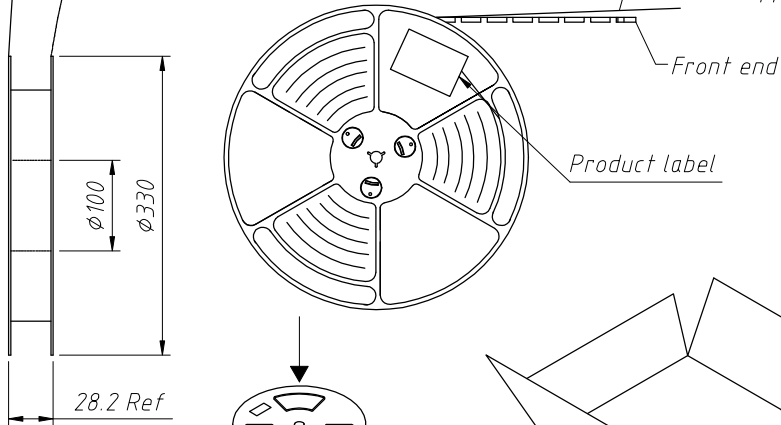
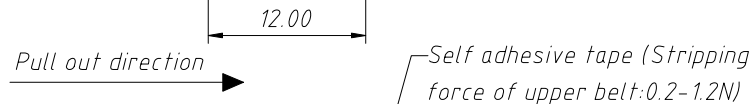
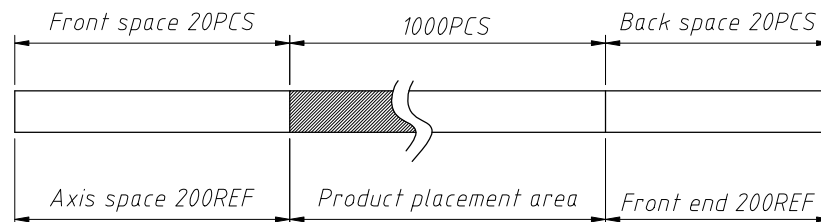
GENERAL TOLERANCE		ANGLE TOLERANCE		PROJECTION	Description:	
X	±0.60	X	±5°	UNITS	USB 3.1 type C connectors L-KLS1-5407	
.X	±0.38	.X	±3°	SHEET SIZE		A4
.XX	±0.25	.XX	±2°	CLS P/N:		L-KLS1-5407
Draw by: Date		2018-03-01		 NingBo KLS ELECTRONIC CO.,L TD.		
Check by: Date		2018-03-01				
SCALE		SHEET	OF			

Note:

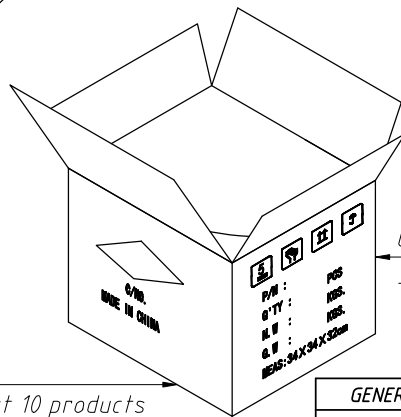
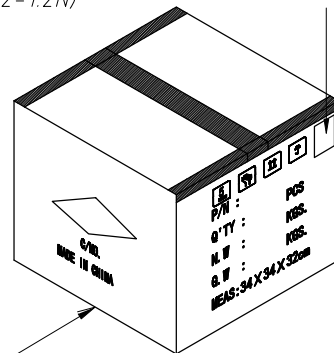
1. Send the upper and lower tapes to the tape carrier for adjustment, then put the products into the download tape in the specified way, start the tape winder for winding (Reel / 1000pcs), and wrap the upper tape for at least 20cm after winding;
2. Stick the material and RoHS label on the designated position on the surface of each coil of the coil that is OK and put it into the carton. Pack 10tray per carton
3. The carton shall be sealed with sealing tape. The tape shall be I-shaped and shall not cover the label;
4. Stripping force of upper belt: 0.2-1.2N



Packaging diagram:

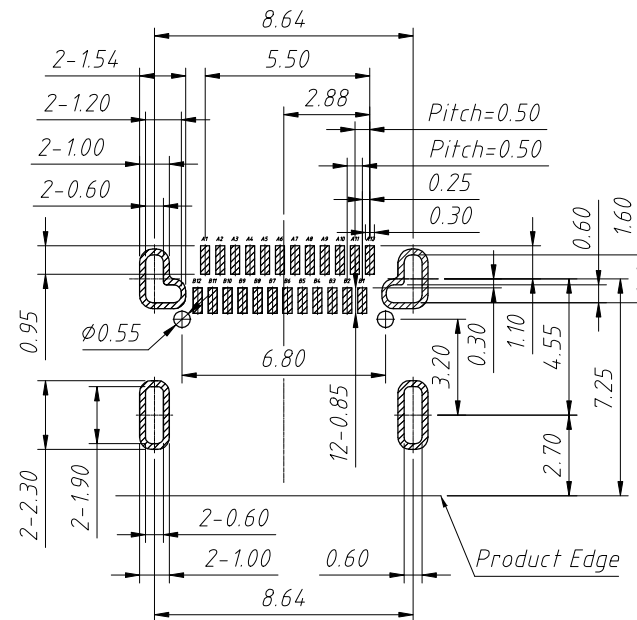


Product Outer label

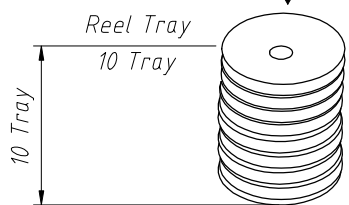


Carton Size:  
34.0×34.0×32.0 cm

Put 10 products  
in cartons



RECOMMENDED P.C.B. LAYOUT(TOP VIEW)  
TOLERANCE UNSPECIFIED  $\pm 0.05\text{mm}$



GENERAL TOLERANCE		ANGLE TOLERANCE		PROJECTION		Description:	
X	$\pm 0.60$	X	$\pm 5^\circ$	UNITS	$\text{mm}$	USB 3.1 type C connectors Packaging L-KLS1-5407	
.X	$\pm 0.38$	.X	$\pm 3^\circ$	SHEET SIZE	A4		
.XX	$\pm 0.25$	.XX	$\pm 2^\circ$	KLS P/N:			

Draw by: Date 2018-03-01

Check by: Date 2018-03-01

SCALE SHEET OF



NingBo KLS ELECTRONIC CO.,LTD.