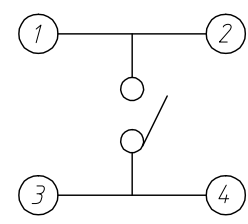


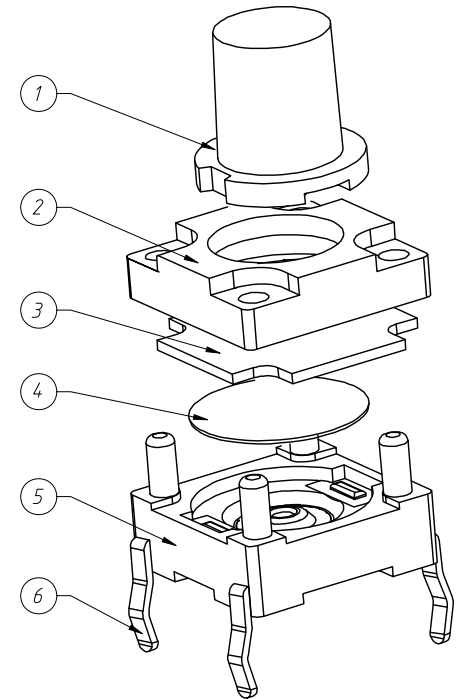
P.C.B LAND DIMENSION (± 0.1)



Circuit diagram

- Material:**
- 1.Stem:PPA,Black
 - 2.Plastic cover:PPA,Black
 - 3.Waterproof pad:Silicon, Transparent
 - 4.Contact Form:SUS
 - 5.Housing:PPA,Black
 - 6.Contact:H62,Ag-plated

- Electrical:**
- 1.Rating:DC 12V 50mA
 - 2.Contact resistance:50m Ω MAX
 - 3.Insulation resistance:100M Ω Min
 - 4.Dielectric strength:250VAC/min
 - 5.Operating force:250gf \pm 50gf
 - 6.Operating life:100,000 cycles
 - 7.Environment temperature:-25 $^{\circ}$ C ~ +85 $^{\circ}$ C



GENERAL TOLERANCE	PROJECTION		Description:
X. ± 0.50	UNITS	mm	6.2x6.2mm IP67 Tact switch,DIP
.X ± 0.25	SCALE	1:1	
.XX ± 0.10	Draw by:	Jenny	
ANGLE TOLERANCE	Check by:		KLS P/N: L-KLS7-WTS06D-4.3-250
X. $\pm 5^{\circ}$	Date	2022-05-13	NingBo KLS ELECTRONIC CO.,L TD.
.X $\pm 3^{\circ}$	SHEET	1 OF 1	
.XX $\pm 2^{\circ}$			