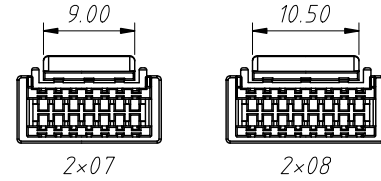
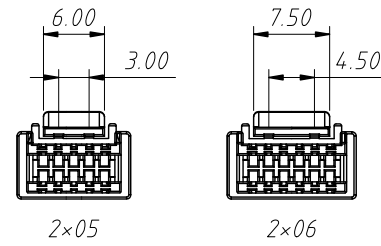
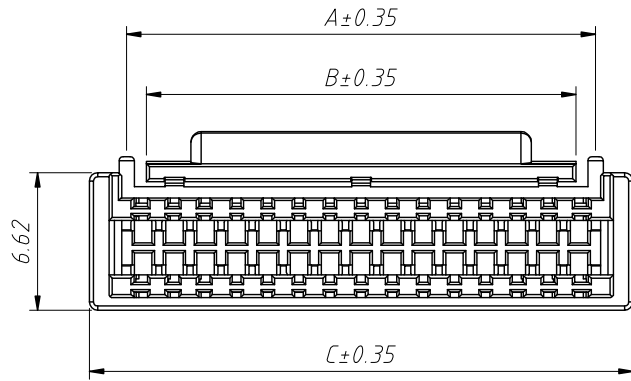
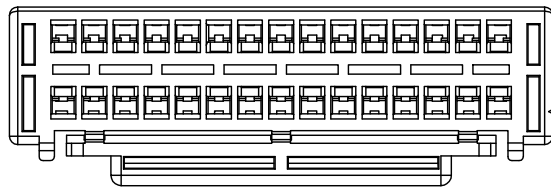
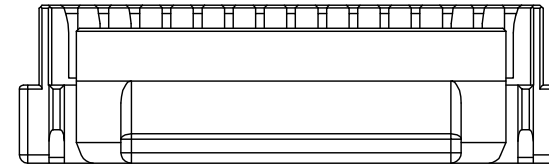
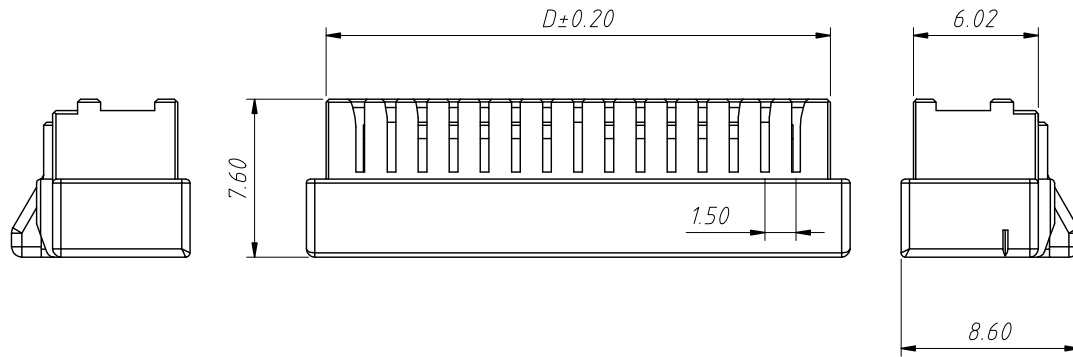


RoHS Compliance



Pin	Dimensions(mm)		
	A	B	C
2x05	6.00	10.20	11.20
2x06	7.50	11.70	12.70
2x07	9.00	13.20	14.20
2x08	10.50	14.70	15.70
2x09	12.00	16.20	17.20
2x10	13.50	17.70	18.70
2x11	15.00	19.20	20.20
2x12	16.50	20.70	21.70
2x13	18.00	22.20	23.20
2x14	19.50	23.70	24.70
2x15	21.00	25.20	26.20
2x16	22.50	26.70	27.70
2x17	24.00	28.20	29.20
2x18	25.50	29.70	30.70
2x19	27.00	31.20	32.20
2x20	28.50	32.70	33.70



Order Information:

L-KLS1-MD-1.50-2×XX-H

L: RoHS

Pitch:1.50mm

Row No:Double layer

XX-No.of 10~40 pins

Type:

H-Housing T-Terminal

VM-Vertical SMT Pin

Material:

Housing:LCP,UL 94V-0

Color: Blank-Natural color

Electrical Characteristics:

Voltage rating: 100V AC / DC

Current rating: 2A AC / DC

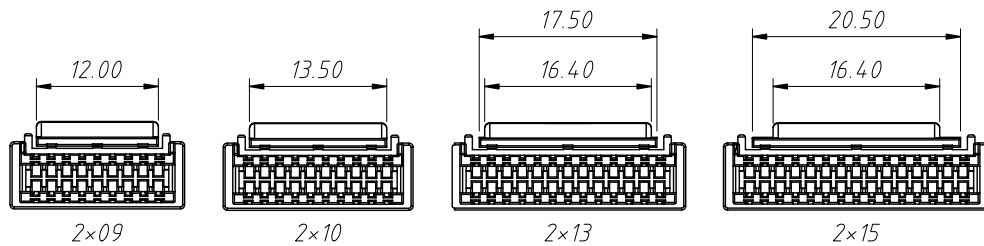
Withstanding voltage: 500V AC/minute

Temperature range: -25°C~+85°C

Insulation resistance: ≥500MΩ

Contact resistance: ≤30mΩ

After environmental testing: ≤50mΩ

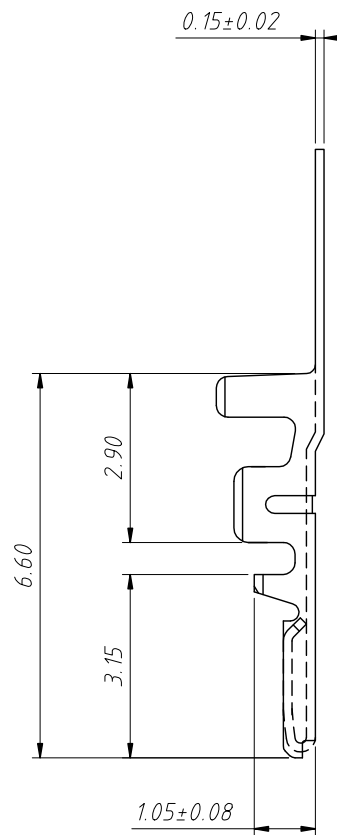
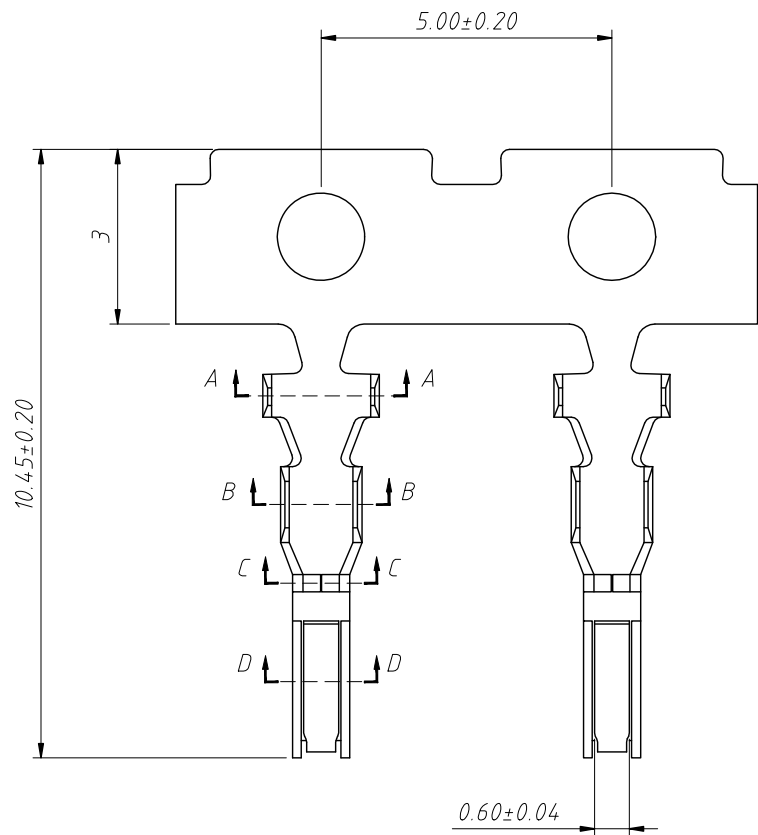


ANGLE TOLERANCE	PROJECTION	Description:
±3°		1.50mm Pitch Crimp Style Connectors
GENERAL TOLERANCE	UNITS	mm
x.x ±0.30	SHEET SIZE	A4
x.xx ±0.20	Draw:	Daniel 2022-05-15
x.xxx ±0.10	Check:	Daniel 2022-05-15



NingBo KLS ELECTRONIC CO.,L TD.

1 RoHS Compliance



Material:
Terminal: Phosphor bronze
Finish: Tin Plated
Wire Range: AWG#24-28

Electrical Characteristics:
Voltage rating: 100V AC / DC
Current rating: 2A AC / DC
Withstanding voltage: 500V AC/minute
Temperature range: -25°C ~ +85°C
Insulation resistance: ≥500MΩ
Contact resistance: ≤30mΩ
After environmental testing: ≤50mΩ
Insulation O.D.: 1.20mm(Max)

Order Information:

L-KLS1-MD-1.50-T



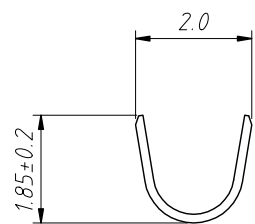
L: RoHS

Pitch: 1.50mm

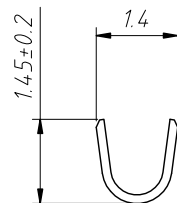
Type:

H-Housing T-Terminal

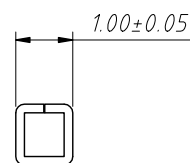
VM-Vertical SMT Pin



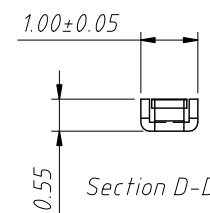
Section A-A



Section B-B



Section C-C



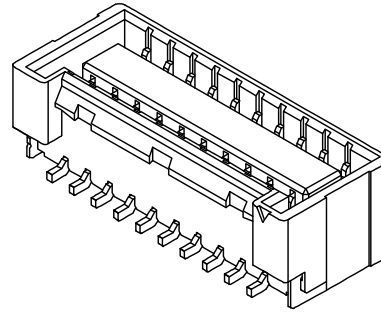
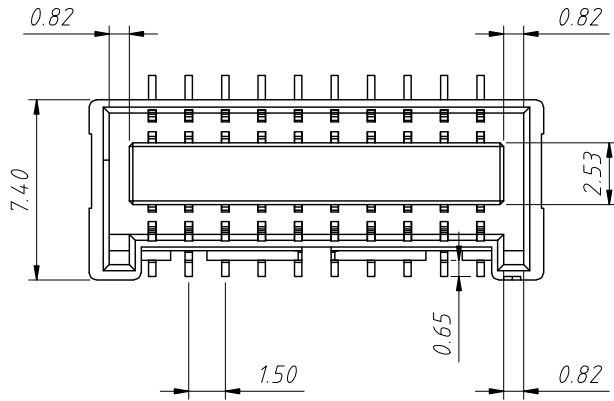
Section D-D

ANGLE TOLERANCE	PROJECTION	Description:	1.50mm Pitch Crimp Style Connectors	
±3°				
GENERAL TOLERANCE	UNITS	mm	KLS P/N:	L-KLS1-MD-1.50-T
x.x ±0.30	SHEET SIZE	A4		
x.xx ±0.20	Draw:	Daniel	2022-05-15	
x.xxx ±0.10	Check:	Daniel	2022-05-15	



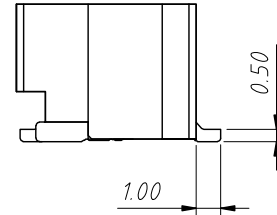
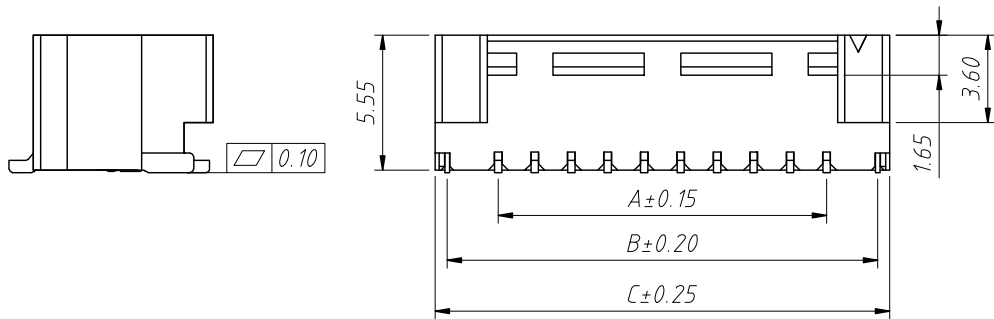
NingBo KLS ELECTRONIC CO.,LTD.

1 RoHS Compliance



Material:
 Housing:PA66,UL 94V-0
 Color:Blank-Natural color
 Contact:Phosphor Bronze
 Finish:Plated Tin over Nickel

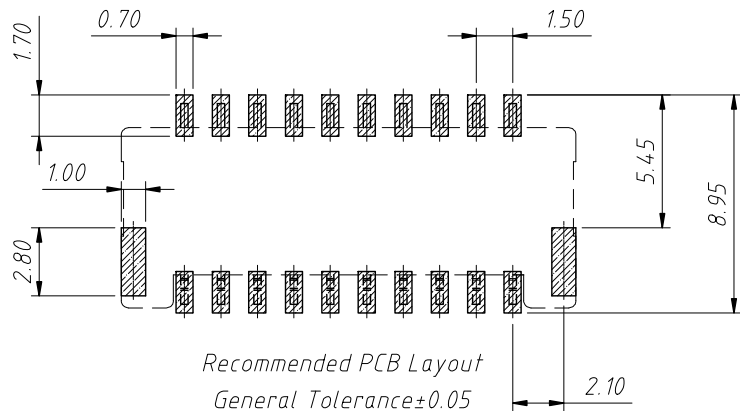
Electrical Characteristics:
 Voltage rating:100V AC / DC
 Current rating:2A AC / DC
 Withstanding voltage: 500V AC/minute
 Temperature range: -25°C ~ +85°C
 Insulation resistance:≥500MΩ
 Contact resistance: ≤30mΩ
 After environmental testing: ≤50mΩ



Pin	Dimensions(mm)			
	A	B	C	C
2×05	7.50	6.00	11.20	9.30
2×06	9.00	7.50	12.70	10.80
2×07	10.50	9.00	14.20	12.30
2×08	12.00	10.50	15.70	13.80
2×09	13.50	12.00	17.20	15.30
2×10	15.00	13.50	18.70	16.80
2×11	16.50	15.00	20.20	18.30
2×12	18.00	16.50	21.70	19.80
2×13	19.50	18.00	23.20	21.30
2×14	21.00	19.50	24.70	22.80
2×15	22.50	21.00	26.20	24.30
2×16	24.00	22.50	27.70	25.80
2×17	25.50	24.00	29.20	27.30
2×18	27.00	25.50	30.70	28.80
2×19	28.50	27.00	32.20	30.30
2×20	30.00	28.50	33.70	31.80

Order Information:
 L-KLS1-MD-1.50-2×XX-VM

L: RoHS
 Pitch:1.50mm
 Row No:Double layer
 XX-No.of 10~40 pins
 Type:
 H-Housing T-Terminal
 VM-Vertical SMT Pin



ANGLE TOLERANCE	PROJECTION	Description:	
±3°		1.50mm Pitch Crimp Style Connectors	
GENERAL TOLERANCE	UNITS	mm	KLS P/N:
x.x ±0.30	SHEET SIZE	A4	L-KLS1-MD-1.50-2×XX-VM
x.xx ±0.20	Draw:	Daniel	2022-05-15
x.xxx ±0.10	Check:	Daniel	2022-05-15



NingBo KLS ELECTRONIC CO.,L TD.