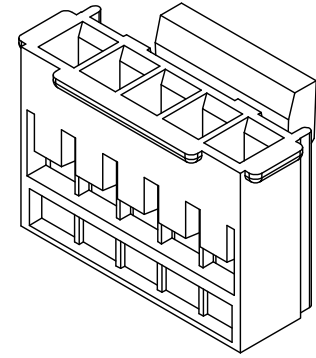
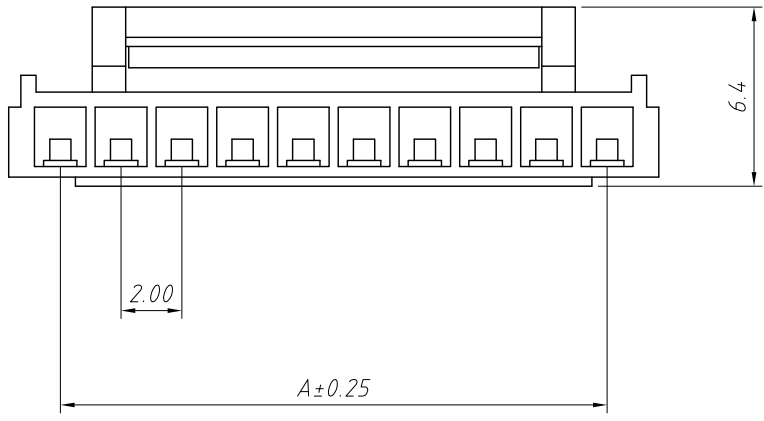
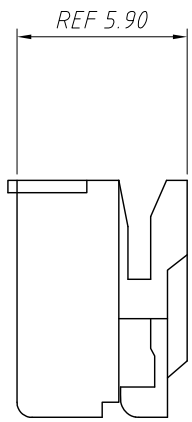
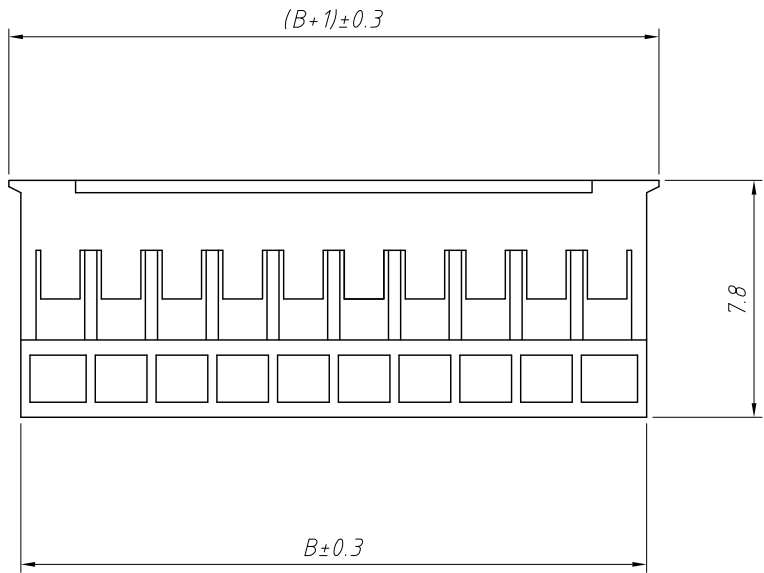


1  
RoHS Compliance



Pin	Dimensions(mm)	
	A	B
02	2.00	4.60
03	4.00	6.60
04	6.00	8.60
05	8.00	10.60
06	10.00	12.60
07	12.00	14.60
08	14.00	16.60
09	16.00	18.60
10	18.00	20.60
11	20.00	22.60
12	22.00	24.60
13	24.00	26.60
14	26.00	28.60
15	28.00	30.60
16	30.00	32.60



Material:  
Housing:PA66,UL94V-2

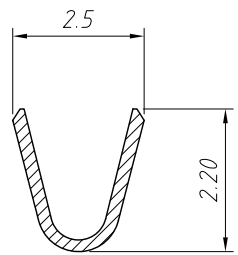
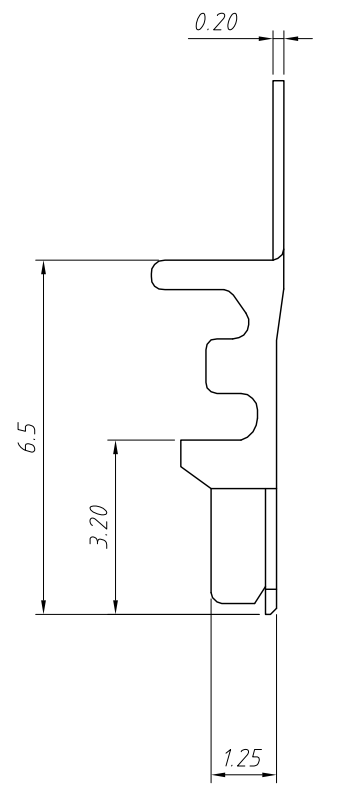
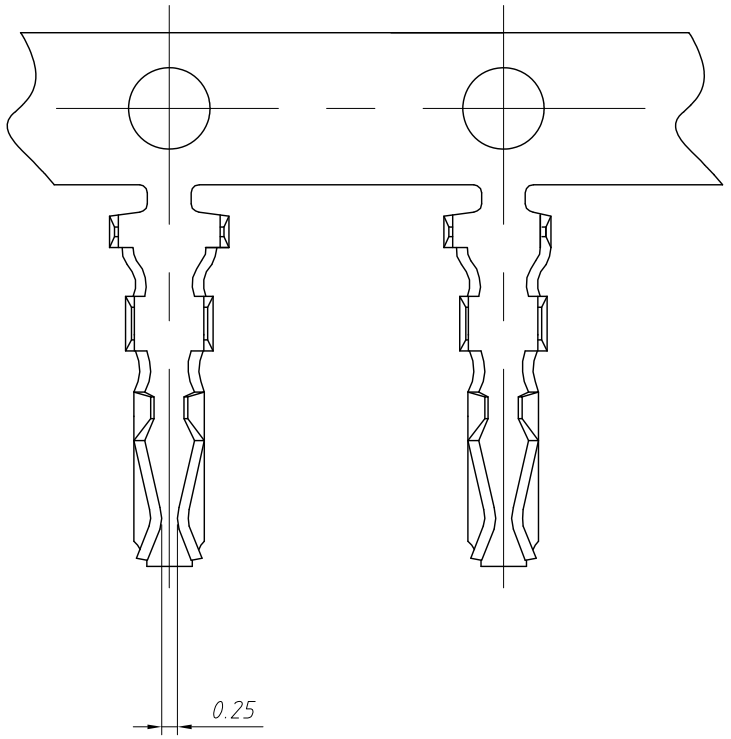
Electrical Characteristics:  
Rated Current:3.0AMP  
Voltage rating:250V AC,DC  
Temperature range:-25°C ~ + 85°C  
Insulator Resistance:500MΩ Min  
Withstand Voltage:800V AC/DC  
Contact Resistance:20mΩ Max

Order Information:  
L-KLS1-XL2-2.00-XX-H  
L: RoHS  
Pitch:2.00mm  
XX-No.of 02~16 Pins  
Type:  
H-Hosing T-Terminal  
S-Straight male pin  
R-Right angle male pin  
VM-Vertical SMT Pin  
RM-Horizontal SMT Pin

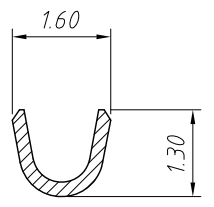
ANGLE TOLERANCE	PROJECTION	Description:	2.00mm Pitch PH With Lock type Wire to Board Connector
±3°			
GENERAL TOLERANCE	UNITS	mm	KLS P/N: L-KLS1-XL2-2.00-XX-H
x.x ±0.30	SHEET SIZE	A4	
x.xx ±0.20	Draw:	Daniel	2021-01-11
x.xxx ±0.10	Check:	Daniel	2021-01-11



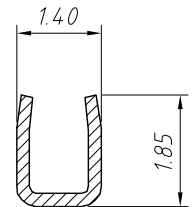
1  
RoHS Compliance



A-A



B-B



C-C

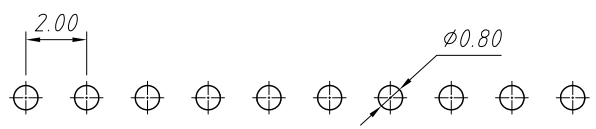
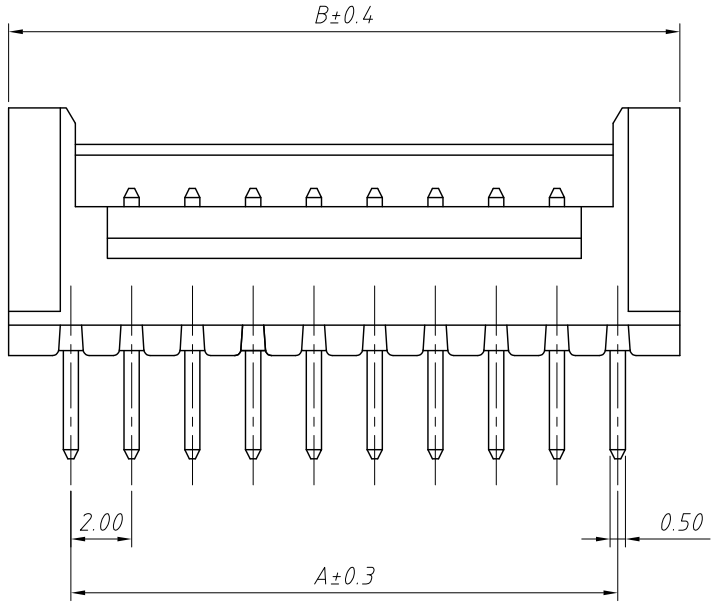
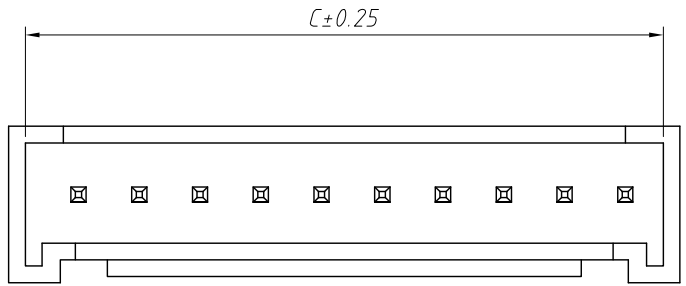
**Material:**  
Terminal: Phosphor Bronze  
Plating: Tin plated over Nickel  
Applicable wires: AWG #28 ~ #22  
Insulation O.D: 1.2 To 1.60mm  
Qty/reel: 12000 PCS

**Electrical Characteristics:**  
Rated Current: 3.0AMP  
Voltage rating: 250V AC, DC  
Temperature range: -25°C ~ +85°C  
Insulator Resistance: 500MΩ Min  
Withstand Voltage: 800V AC/DC  
Contact Resistance: 20mΩ Max

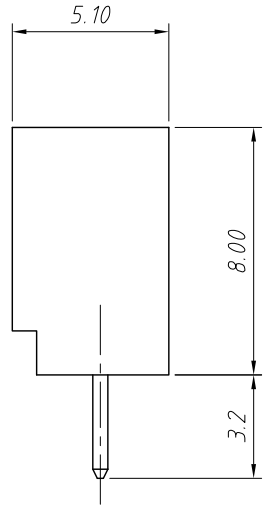
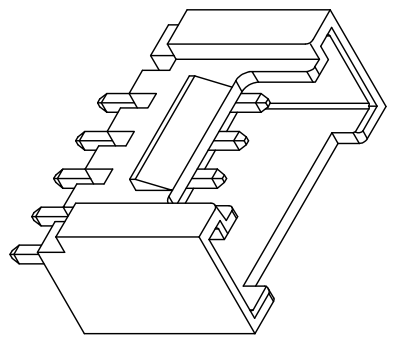
**Order Information:**  
L-KLS1-XL2-2.00-T  
L: RoHS  
Pitch: 2.00mm  
Type:  
H-Hosing T-Terminal  
S-Straight male pin  
R-Right angle male pin  
VM-Vertical SMT Pin  
RM-Horizontal SMT Pin

ANGLE TOLERANCE	PROJECTION	Description:	2.00mm Pitch PH With Lock type Wire to Board Connector
±3°			
GENERAL TOLERANCE	UNITS	mm	KLS P/N: L-KLS1-XL2-2.00-T
x.x ±0.30	SHEET SIZE	A4	NingBo KLS ELECTRONIC CO.,L TD.
x.xx ±0.20	Draw:	Daniel 2021-01-11	
x.xxx ±0.10	Check:	Daniel 2021-01-11	

1  
RoHS Compliance



Recommended PCB Layout



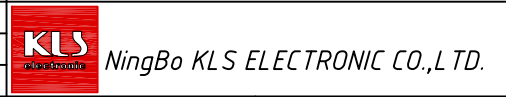
Pin	Dimensions(mm)		
	A	B	C
02	2.00	6.00	4.90
03	4.00	8.00	6.90
04	6.00	10.00	8.90
05	8.00	12.00	10.90
06	10.00	14.00	12.90
07	12.00	16.00	14.90
08	14.00	18.00	16.90
09	16.00	20.00	18.90
10	18.00	22.00	20.90
11	20.00	24.00	22.90
12	22.00	26.00	24.90
13	24.00	28.00	26.90
14	26.00	30.00	28.90
15	28.00	32.00	30.90
16	30.00	34.00	32.90

Material:  
Housing:PA66,UL94V-2  
Contact:Brass  
Plating: Tin Plated

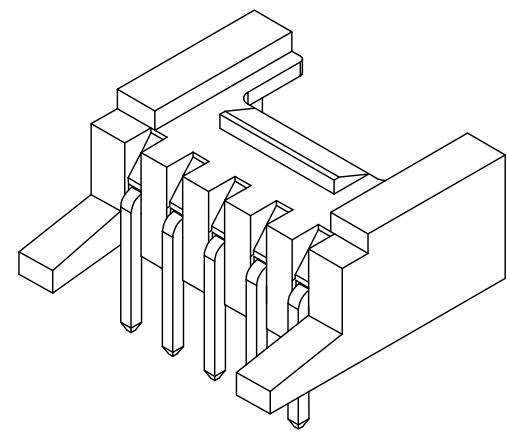
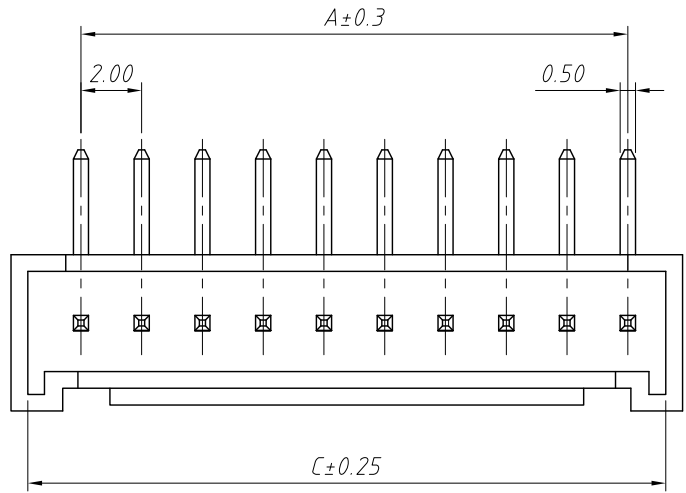
Electrical Characteristics:  
Rated Current:3.0AMP  
Voltage rating:250V AC,DC  
Temperature range:-25°C ~ + 85°C  
Insulator Resistance:500MΩ Min  
Withstand Voltage:800V AC/DC  
Contact Resistance:20mΩ Max

Order Information:  
L-KLS1-XL2-2.00-XX-S  
L: RoHS  
Pitch:2.00mm  
XX-No.of 02~16 Pins  
Type:  
H-Hosing T-Terminal  
S-Straight male pin  
R-Right angle male pin  
VM-Vertical SMT Pin  
RM-Horizontal SMT Pin

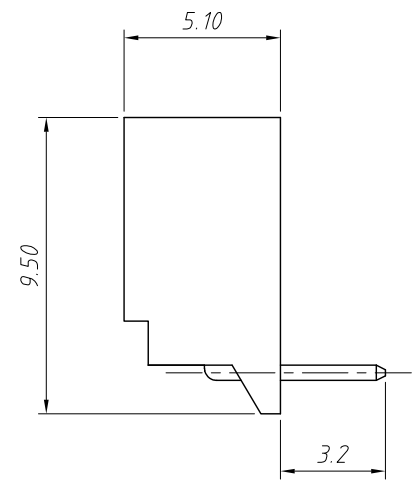
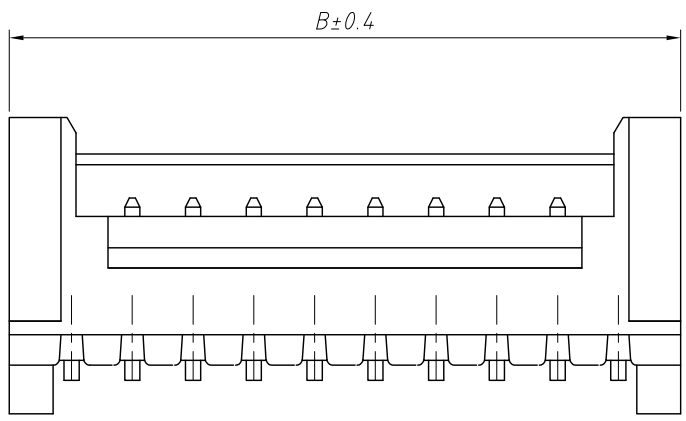
ANGLE TOLERANCE	PROJECTION	Description:	2.00mm Pitch PH With Lock type Wire to Board Connector
±3°			
GENERAL TOLERANCE	UNITS	mm	KLS P/N:
x.x ±0.30	SHEET SIZE	A4	L-KLS1-XL2-2.00-XX-S
x.xx ±0.20	Draw:	Daniel	2021-01-11
x.xxx ±0.10	Check:	Daniel	2021-01-11



1  
RoHS Compliance



Pin	Dimensions(mm)		
	A	B	C
02	2.00	6.00	4.90
03	4.00	8.00	6.90
04	6.00	10.00	8.90
05	8.00	12.00	10.90
06	10.00	14.00	12.90
07	12.00	16.00	14.90
08	14.00	18.00	16.90
09	16.00	20.00	18.90
10	18.00	22.00	20.90
11	20.00	24.00	22.90
12	22.00	26.00	24.90
13	24.00	28.00	26.90
14	26.00	30.00	28.90
15	28.00	32.00	30.90
16	30.00	34.00	32.90

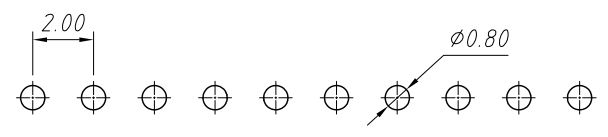


**Material:**  
Housing: PA66, UL94V-2  
Contact: Brass  
Plating: Tin Plated

**Electrical Characteristics:**  
Rated Current: 3.0AMP  
Voltage rating: 250V AC, DC  
Temperature range: -25°C ~ +85°C  
Insulator Resistance: 1000MΩ Min  
Withstand Voltage: 1000V AC/DC  
Contact Resistance: 30mΩ Max

**Order Information:**  
L-KLS1-XL2-2.00-XX-R

L: RoHS  
Pitch: 2.00mm  
XX-No. of 02~16 Pins  
Type: \_\_\_\_\_  
H-Hosing T-Terminal  
S-Straight male pin  
R-Right angle male pin  
VM-Vertical SMT Pin  
RM-Horizontal SMT Pin



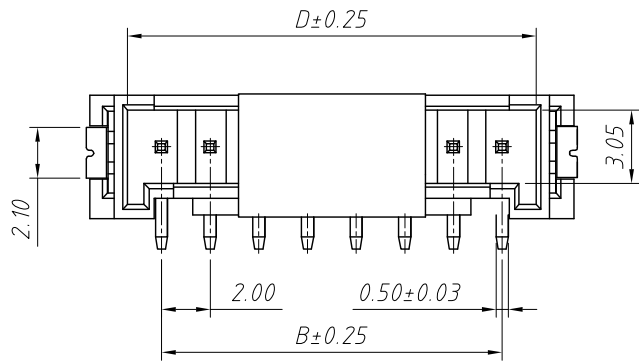
Recommended PCB Layout

ANGLE TOLERANCE	PROJECTION	Description:	2.00mm Pitch PH With Lock type Wire to Board Connector
±3°			
GENERAL TOLERANCE	UNITS	mm	KLS P/N: L-KLS1-XL2-2.00-XX-R
x.x ±0.30	SHEET SIZE	A4	
x.xx ±0.20	Draw:	Daniel	2021-01-11
x.xxx ±0.10	Check:	Daniel	2021-01-11



NingBo KLS ELECTRONIC CO.,LTD.

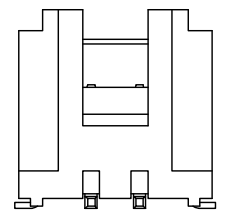
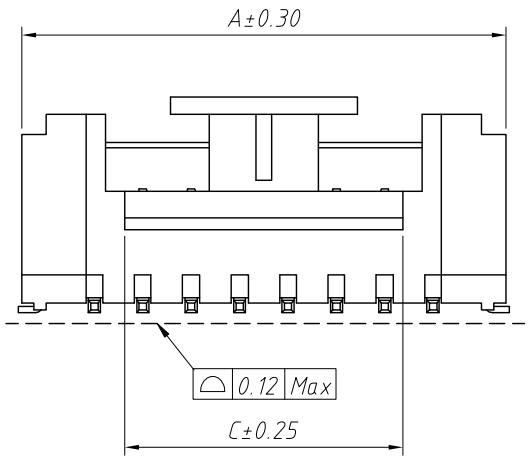
1 RoHS Compliance



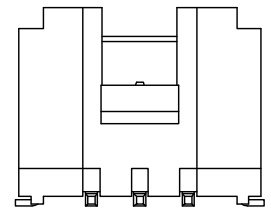
**Material:**  
 Housing: LCP, UL 94V-0  
 Contact: Brass  
 Solder tabs: Phosphor bronze  
 Plating: in Plated over nickel

**Electrical Characteristics:**  
 Rated Current: 2.0AMP  
 Voltage rating: 250V AC, DC  
 Temperature range: -25°C ~ +85°C  
 Insulator Resistance: 1000MΩ Min  
 Withstand Voltage: 1000V AC/DC  
 Contact Resistance: 30mΩ Max

Pin	Dimensions(mm)			
	A	B	C	D
02	8.00	2.00	2.70	4.75
03	10.00	4.00	3.20	6.75
04	12.00	6.00	3.50	8.90
05	14.00	8.00	5.50	10.90
06	16.00	10.00	7.50	12.90
07	18.00	12.00	9.50	14.90
08	20.00	14.00	11.50	16.90
09	22.00	16.00	13.50	18.90
10	24.00	18.00	15.50	20.90
11	26.00	20.00	15.50	22.90
12	28.00	22.00	15.50	24.90
13	30.00	24.00	15.50	26.90
14	32.00	26.00	15.50	28.90
15	34.00	28.00	15.50	30.90
16	36.00	30.00	15.50	32.90

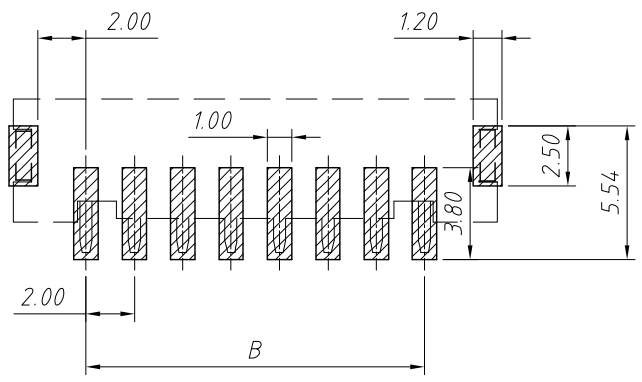


02P



03P

**Order Information:**  
 L-KLS1-XL2-2.00-XX-VM  
 L: RoHS  
 Pitch: 2.00mm  
 XX-No. of 02~16 Pins  
 Type:  
 H-Hosing T-Terminal  
 S-Straight male pin  
 R-Right angle male pin  
 VM-Vertical SMT Pin  
 RM-Horizontal SMT Pin

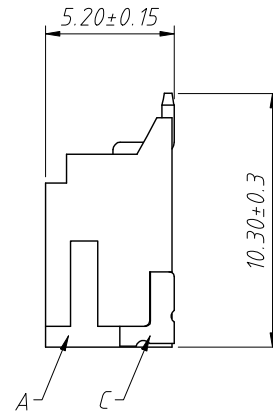
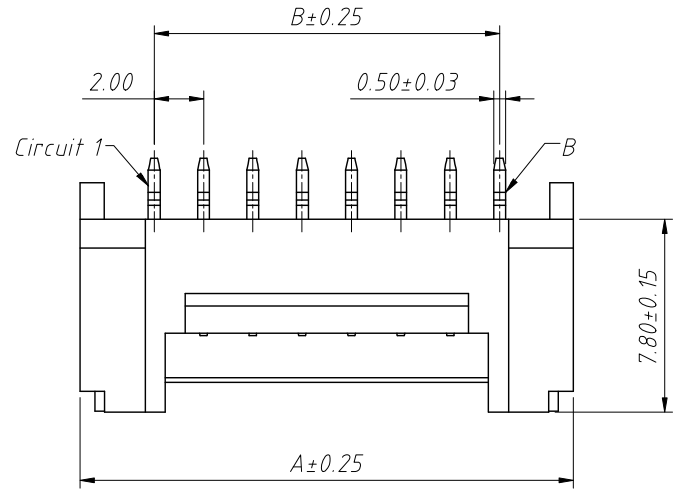


Recommended PCB Layout

ANGLE TOLERANCE	PROJECTION	Description:	2.00mm Pitch PH With Lock type Wire to Board Connector
±3°			
GENERAL TOLERANCE	UNITS	mm	KLS P/N: L-KLS1-XL2-2.00-XX-VM
x.x ±0.30	SHEET SIZE	A4	
x.xx ±0.20	Draw:	Daniel	2021-01-11
x.xxx ±0.10	Check:	Daniel	2021-01-11



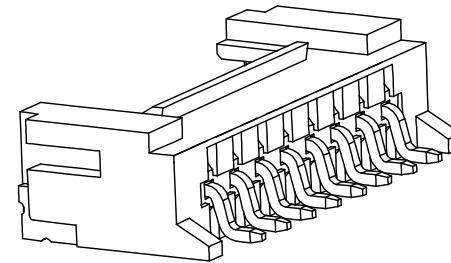
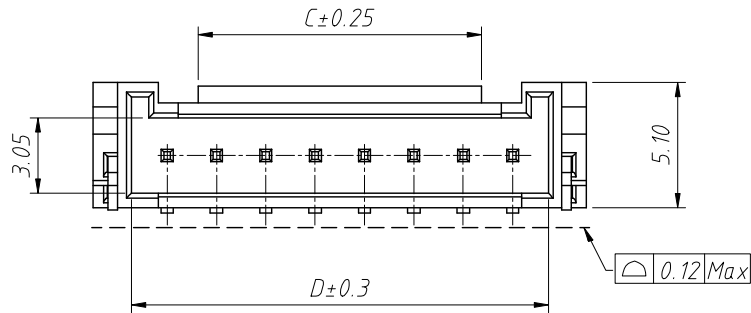
RoHS Compliance



**Material:**  
 Insulator: LCP, UL 94V-0  
 Contact: Brass  
 Solder Nail: Brass  
 Plating: Tin plated over Nickel

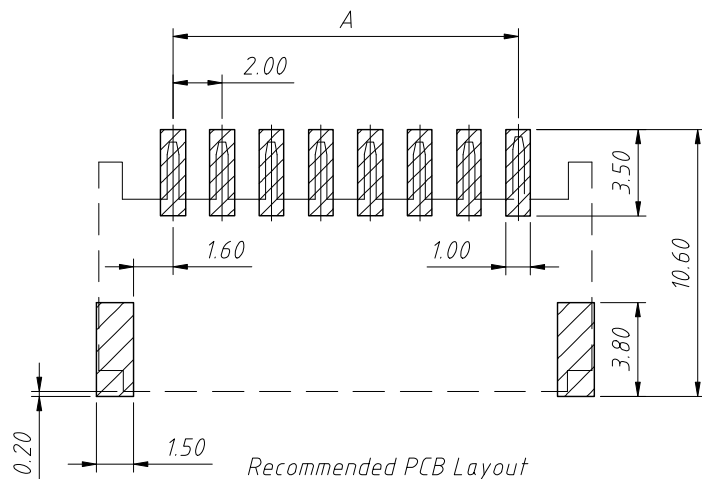
**Electrical Characteristics:**  
 Rated Current: 2.0AMP  
 Voltage rating: 250V AC, DC  
 Temperature range: -25°C ~ +85°C  
 Insulator Resistance: 1000MΩ Min  
 Withstand Voltage: 1000V AC/DC  
 Contact Resistance: 20mΩ Max

Pin	Dimensions(mm)			
	A	B	C	D
02	8.00	2.00	2.70	4.75
03	10.00	4.00	3.20	6.75
04	12.00	6.00	3.50	8.90
05	14.00	8.00	5.50	10.90
06	16.00	10.00	7.50	12.90
07	18.00	12.00	9.50	14.90
08	20.00	14.00	11.50	16.90
09	22.00	16.00	13.50	18.90
10	24.00	18.00	15.50	20.90
11	26.00	20.00	15.50	22.90
12	28.00	22.00	15.50	24.90
13	30.00	24.00	15.50	26.90
14	32.00	26.00	15.50	28.90
15	34.00	28.00	15.50	30.90
16	36.00	30.00	15.50	32.90

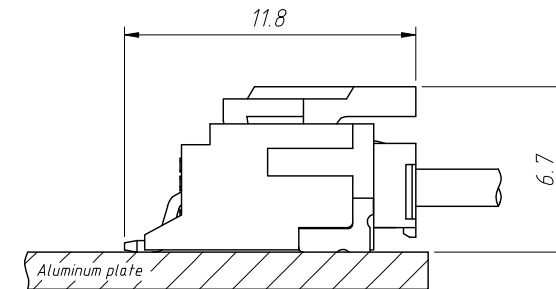


**Order Information:**  
 L-KLS1-XL2-2.00-XX-RM

L: RoHS  
 Pitch: 2.00mm  
 XX-No. of 02~16 Pins  
 Type:  
 H-Hosing T-Terminal  
 S-Straight male pin  
 R-Right angle male pin  
 VM-Vertical SMT Pin  
 RM-Horizontal SMT Pin



Recommended PCB Layout  
 Tolerance ±0.05



Assembly Layout

ANGLE TOLERANCE	PROJECTION	Description:	2.00mm Pitch PH With Lock type Wire to Board Connector
±3°			
GENERAL TOLERANCE	UNITS	mm	KLS P/N:
x.x ±0.30	SHEET SIZE	A4	L-KLS1-XL2-2.00-XX-RM
x.xx ±0.20	Draw:	Daniel	2021-01-11
x.xxx ±0.10	Check:	Daniel	2021-01-11



NingBo KLS ELECTRONIC CO.,LTD.