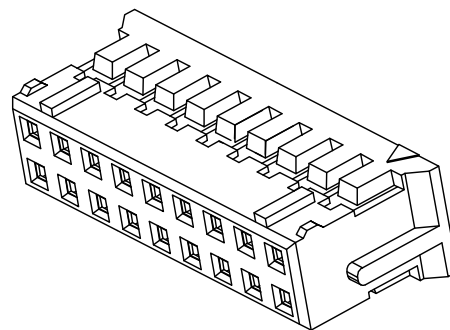
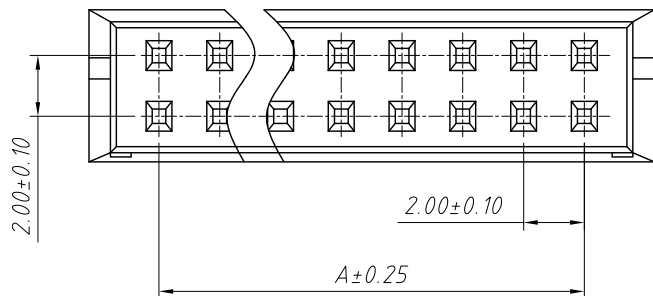
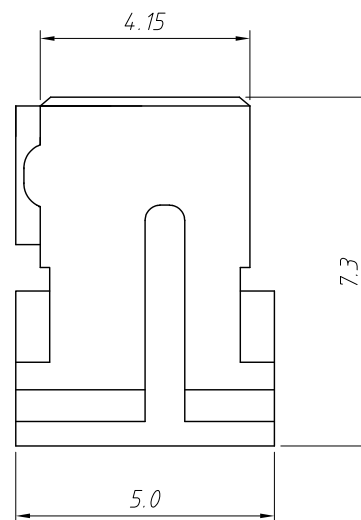
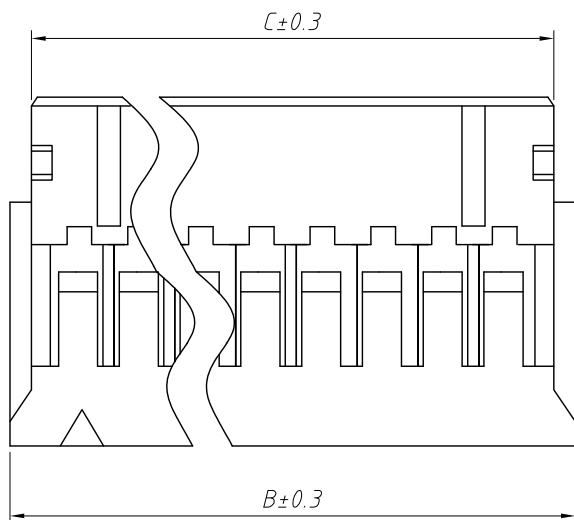


1
RoHS Compliance



| Pin | Dimensions(mm) | | |
|-----|----------------|-------|-------|
| | A | B | C |
| 02 | 2.00 | 6.00 | 4.40 |
| 03 | 4.00 | 8.00 | 6.40 |
| 04 | 6.00 | 10.00 | 8.40 |
| 05 | 8.00 | 12.00 | 10.40 |
| 06 | 10.00 | 14.00 | 12.40 |
| 07 | 12.00 | 16.00 | 14.40 |
| 08 | 14.00 | 18.00 | 16.40 |
| 09 | 16.00 | 20.00 | 18.40 |
| 10 | 18.00 | 22.00 | 20.40 |
| 11 | 20.00 | 24.00 | 22.40 |
| 12 | 22.00 | 26.00 | 24.40 |
| 13 | 24.00 | 28.00 | 26.40 |
| 14 | 26.00 | 30.00 | 28.40 |
| 15 | 28.00 | 32.00 | 30.40 |
| 16 | 30.00 | 34.00 | 32.40 |
| 17 | 32.00 | 36.00 | 34.40 |
| 18 | 34.00 | 38.00 | 36.40 |
| 19 | 36.00 | 40.00 | 38.40 |
| 20 | 38.00 | 42.00 | 40.40 |
| 21 | 40.00 | 44.00 | 42.40 |
| 22 | 42.00 | 46.00 | 44.40 |



Material:
Housing:PA66,UL94V-0
Electrical Characteristics:
Rated Current:3.0AMP
Voltage rating:250V AC,DC
Temperature range:-25°C ~ + 85°C
Insulator Resistance:1000MΩ Min
Withstand Voltage:800V AC/DC
Contact Resistance:20mΩ Max

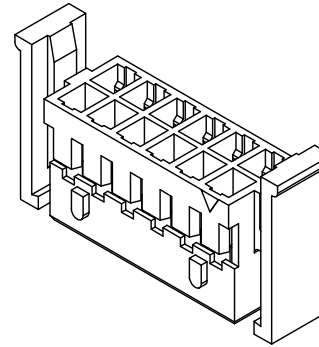
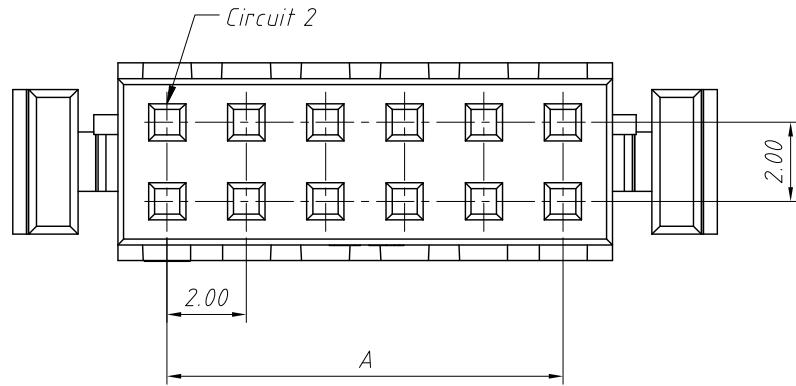
Order Information:
L-KLS1-XA1-2.00-XX-H
L: RoHS
Pitch:2.00mm
XX-No.of 02~44 pins
Type:T-Terminal
H/H2/H3-Hosing
S/S2/S3-Straight mate pin
R/R2/R3-Right angle mate pin
VM-Vertical SMT Pin

| ANGLE TOLERANCE | PROJECTION | Description: |
|-------------------|------------|--|
| ±3° | | 2.00mm Pitch PHD type Double Wire to Board Connector |
| GENERAL TOLERANCE | UNITS | mm |
| x.x ±0.30 | SHEET SIZE | A4 |
| x.xx ±0.20 | Draw: | Daniel 2021-01-11 |
| x.xxx ±0.10 | Check: | Daniel 2021-01-11 |

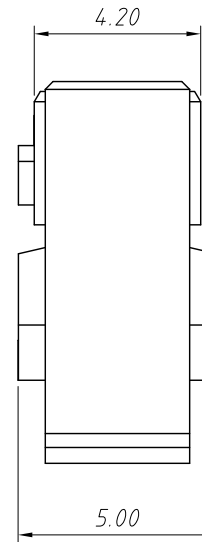
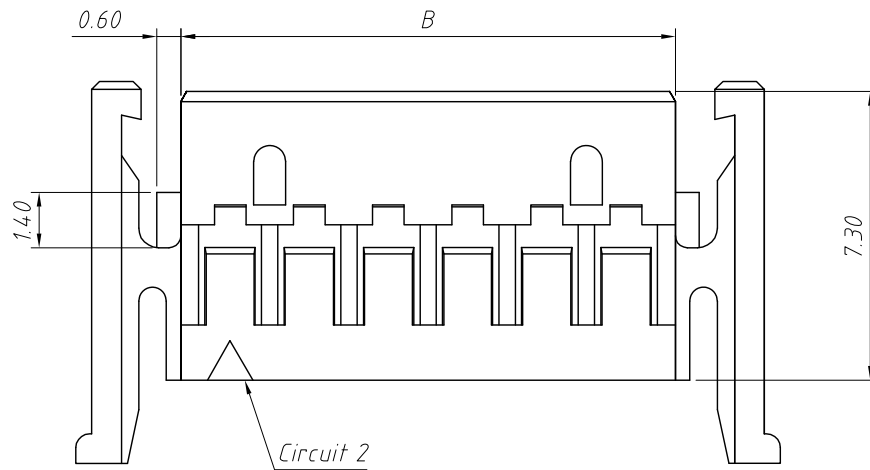


NingBo KLS ELECTRONIC CO.,LTD.

1 RoHS Compliance



| Pin | Dimensions(mm) | |
|-----|----------------|-------|
| | A | B |
| 02 | 2.00 | 4.50 |
| 03 | 4.00 | 6.50 |
| 04 | 6.00 | 8.50 |
| 05 | 8.00 | 10.50 |
| 06 | 10.00 | 12.50 |
| 07 | 12.00 | 14.50 |
| 08 | 14.00 | 16.50 |
| 09 | 16.00 | 18.50 |
| 10 | 18.00 | 20.50 |
| 11 | 20.00 | 22.50 |
| 12 | 22.00 | 24.50 |
| 13 | 24.00 | 26.50 |
| 14 | 26.00 | 28.50 |
| 15 | 28.00 | 30.50 |
| 16 | 30.00 | 32.50 |
| 17 | 32.00 | 34.50 |
| 18 | 34.00 | 36.50 |
| 19 | 36.00 | 38.50 |
| 20 | 38.00 | 40.50 |



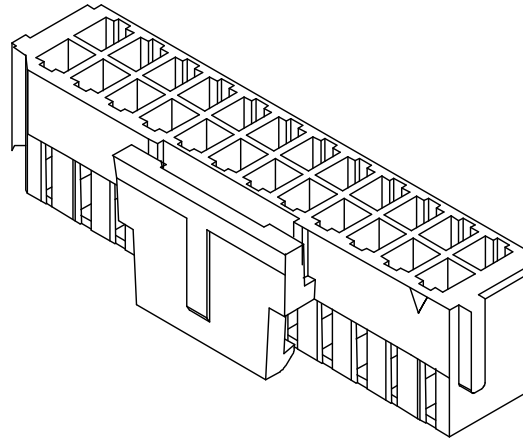
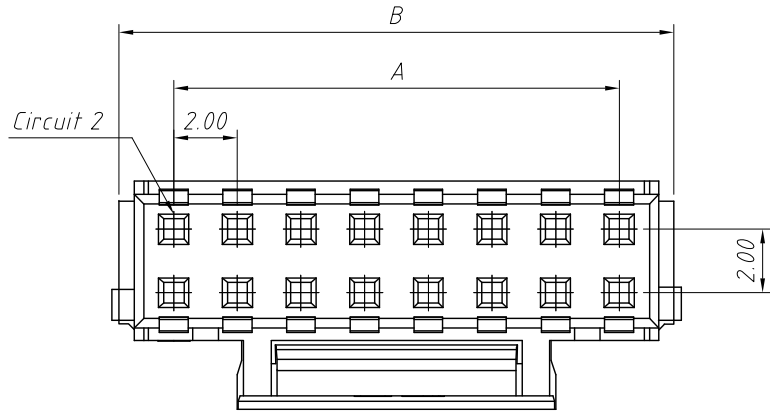
Material:
Housing: PA66, UL 94V-0, Color: White
Electrical Characteristics:
Rated Current: 3.0AMP
Voltage rating: 250V AC, DC
Temperature range: -25°C ~ +85°C
Insulator Resistance: 1000MΩ Min
Withstand Voltage: 800V AC/DC
Contact Resistance: 20mΩ Max

Order Information:
L-KLS1-XA1-2.00-XX-H2

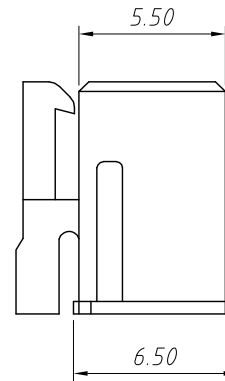
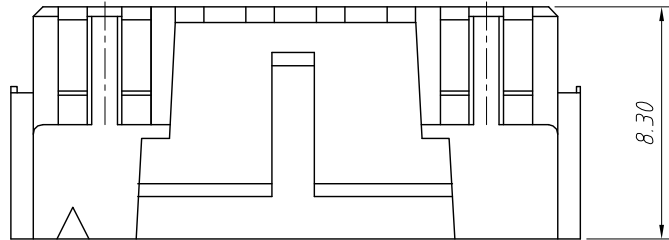
L: RoHS
Pitch: 2.00mm
XX-No. of 02 ~ 40 pins
Type: T-Terminal
H/H2/H3-Hosing
S/S2/S3-Straight mate pin
R/R2/R3-Right angle mate pin
VM-Vertical SMT Pin

| | | | |
|-------------------|------------|-------------------|--|
| ANGLE TOLERANCE | PROJECTION | Description: | 2.00mm Pitch PHD type Double Wire to Board Connector |
| ±3° | | | |
| GENERAL TOLERANCE | UNITS | mm | KLS P/N: L-KLS1-XA1-2.00-XX-H2 |
| x.x ±0.30 | SHEET SIZE | A4 | NingBo KLS ELECTRONIC CO.,L TD. |
| x.xx ±0.20 | Draw: | Daniel 2021-01-11 | |
| x.xxx ±0.10 | Check: | Daniel 2021-01-11 | |

1
RoHS Compliance



| Pin | Dimensions(mm) | |
|-----|----------------|-------|
| | A | B |
| 04 | 6.00 | 9.90 |
| 05 | 8.00 | 11.90 |
| 06 | 10.00 | 13.90 |
| 07 | 12.00 | 15.90 |
| 08 | 14.00 | 17.90 |
| 09 | 16.00 | 19.90 |
| 10 | 18.00 | 21.90 |
| 11 | 20.00 | 23.90 |
| 12 | 22.00 | 25.90 |
| 13 | 24.00 | 27.90 |
| 14 | 26.00 | 29.90 |
| 15 | 28.00 | 31.90 |
| 16 | 30.00 | 33.90 |
| 17 | 32.00 | 35.90 |
| 18 | 34.00 | 37.90 |
| 19 | 36.00 | 39.90 |
| 20 | 38.00 | 41.90 |



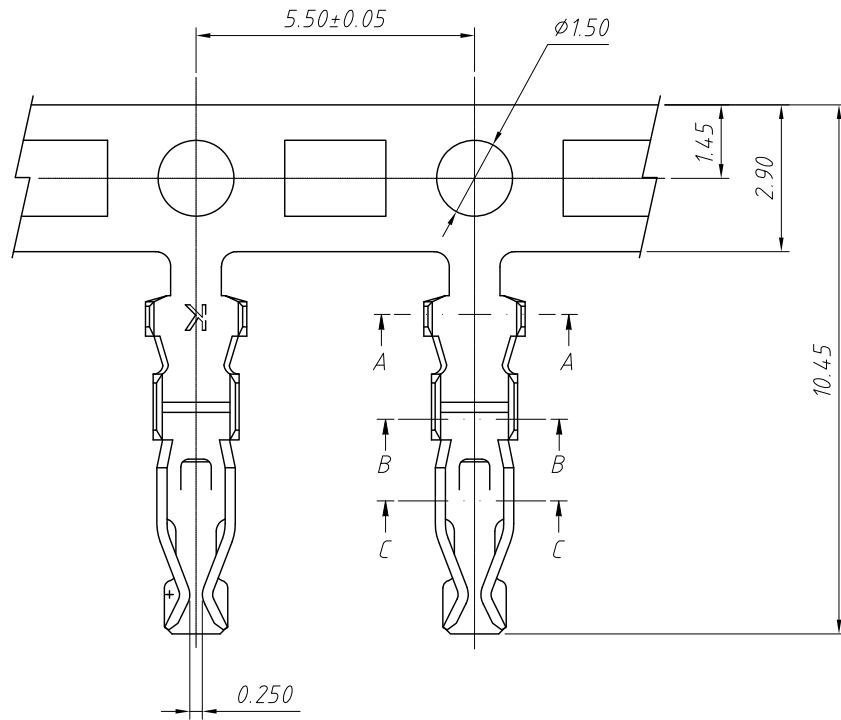
Order Information:
L-KLS1-XA1-2.00-XX-H3
 L: RoHS
 Pitch: 2.00mm
 XX-No. of 08 ~ 40 pins
 Type: T-Terminal
 H/H2/H3-Hosing
 S/S2/S3-Straight male pin
 R/R2/R3-Right angle male pin
 VM-Vertical SMT Pin

Material:
 Housing: PA66, UL 94V-0, Color: Natural
 Electrical Characteristics:
 Rated Current: 3.0AMP
 Voltage rating: 250V AC, DC
 Temperature range: -25°C ~ +85°C
 Insulator Resistance: 1000MΩ Min
 Withstand Voltage: 800V AC/DC
 Contact Resistance: 20mΩ Max

| | | | |
|-------------------|------------|--------------|--|
| ANGLE TOLERANCE | PROJECTION | Description: | 2.00mm Pitch PHD type Double Wire to Board Connector |
| ±3° | | | |
| GENERAL TOLERANCE | UNITS | mm | KLS P/N: L-KLS1-XA1-2.00-XX-H3 |
| x.x ±0.30 | SHEET SIZE | A4 | |
| x.xx ±0.20 | Draw: | Daniel | 2021-01-11 |
| x.xxx ±0.10 | Check: | Daniel | 2021-01-11 |

NingBo KLS ELECTRONIC CO.,LTD.

1 RoHS Compliance



Material:
 Terminal: Phosphor Bronze
 Plating: Tin plated
 Applicable wires: AWG #24 ~ # 28
 Insulation O.D.: 0.90-1.40mm Max
 Qty/reel: 10000 pcs

Electrical Characteristics:
 Rated Current: 3.0AMP
 Voltage rating: 250V AC, DC
 Temperature range: -25°C ~ + 85°C
 Insulator Resistance: 1000MΩ Min
 Withstand Voltage: 800V AC/DC
 Contact Resistance: 20mΩ Max

Order Information:

L-KLS1-XA1-2.00-T



L: RoHS

Pitch: 2.00mm

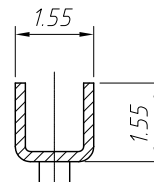
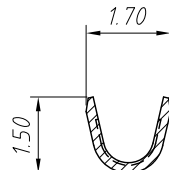
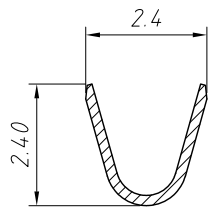
Type: T- Terminal

H/H2/H3- Hosing

S/S2/S3- Straight male pin

R/R2/R3- Right angle male pin

VM- Vertical SMT Pin

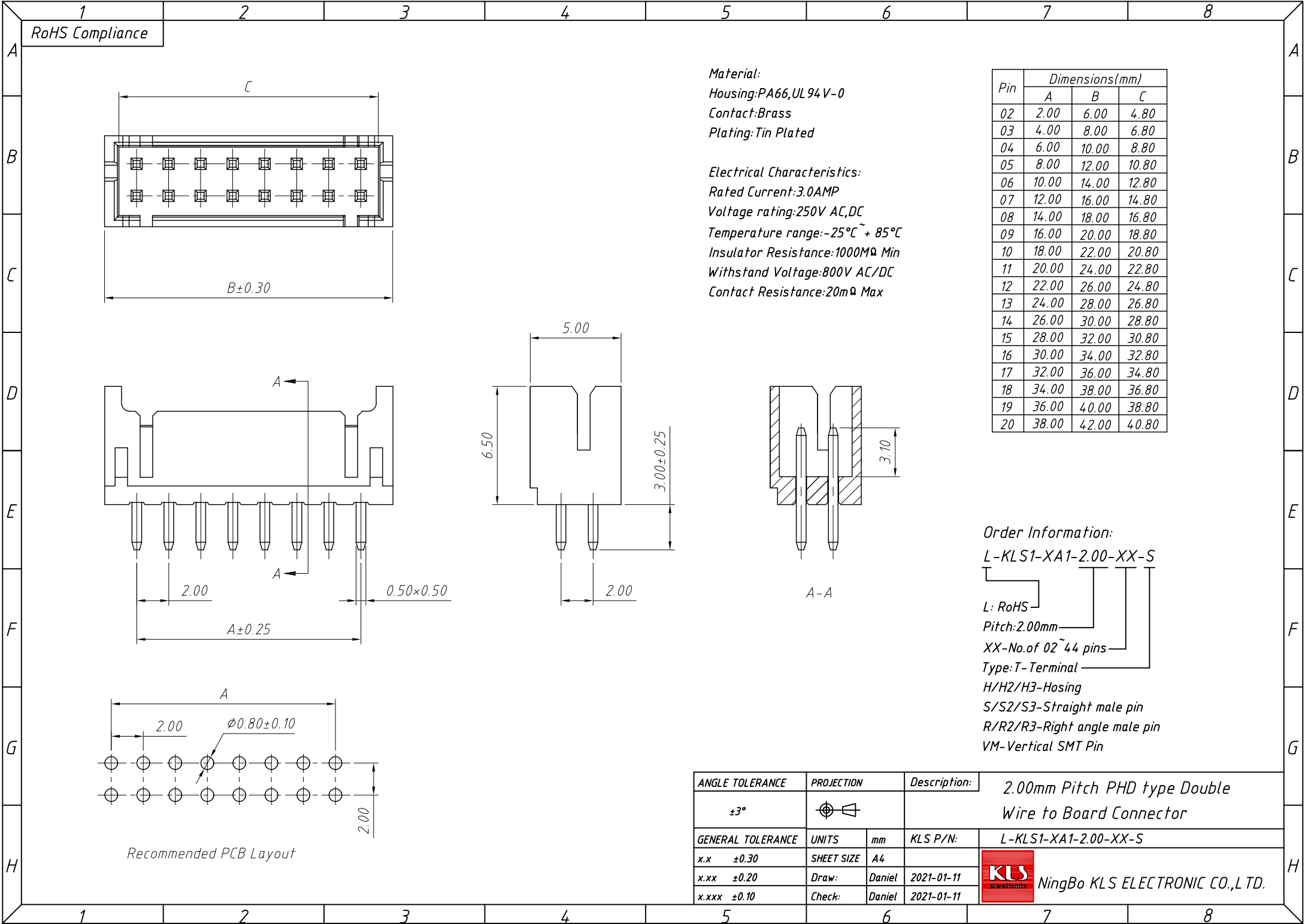


| | | | |
|-------------------|------------|--------------|--|
| ANGLE TOLERANCE | PROJECTION | Description: | 2.00mm Pitch PHD type Double Wire to Board Connector |
| ±3° | | | |
| GENERAL TOLERANCE | UNITS | mm | KLS P/N: |
| x.x ±0.30 | SHEET SIZE | A4 | L-KLS1-XA1-2.00-T |
| x.xx ±0.20 | Draw: | Daniel | 2021-01-11 |
| x.xxx ±0.10 | Check: | Daniel | 2021-01-11 |



NingBo KLS ELECTRONIC CO.,L TD.

1
RoHS Compliance



Material:
Housing: PA66, UL 94 V-0
Contact: Brass
Plating: Tin Plated

Electrical Characteristics:
Rated Current: 3.0AMP
Voltage rating: 250V AC, DC
Temperature range: -25°C ~ +85°C
Insulator Resistance: 1000MΩ Min
Withstand Voltage: 800V AC/DC
Contact Resistance: 20mΩ Max

| Pin | Dimensions (mm) | | |
|-----|-----------------|-------|-------|
| | A | B | C |
| 02 | 2.00 | 6.00 | 4.80 |
| 03 | 4.00 | 8.00 | 6.80 |
| 04 | 6.00 | 10.00 | 8.80 |
| 05 | 8.00 | 12.00 | 10.80 |
| 06 | 10.00 | 14.00 | 12.80 |
| 07 | 12.00 | 16.00 | 14.80 |
| 08 | 14.00 | 18.00 | 16.80 |
| 09 | 16.00 | 20.00 | 18.80 |
| 10 | 18.00 | 22.00 | 20.80 |
| 11 | 20.00 | 24.00 | 22.80 |
| 12 | 22.00 | 26.00 | 24.80 |
| 13 | 24.00 | 28.00 | 26.80 |
| 14 | 26.00 | 30.00 | 28.80 |
| 15 | 28.00 | 32.00 | 30.80 |
| 16 | 30.00 | 34.00 | 32.80 |
| 17 | 32.00 | 36.00 | 34.80 |
| 18 | 34.00 | 38.00 | 36.80 |
| 19 | 36.00 | 40.00 | 38.80 |
| 20 | 38.00 | 42.00 | 40.80 |

Order Information:
L-KLS1-XA1-2.00-XX-S

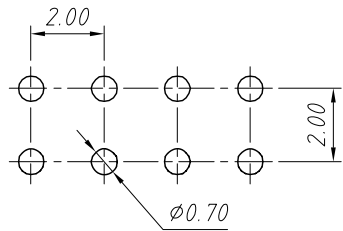
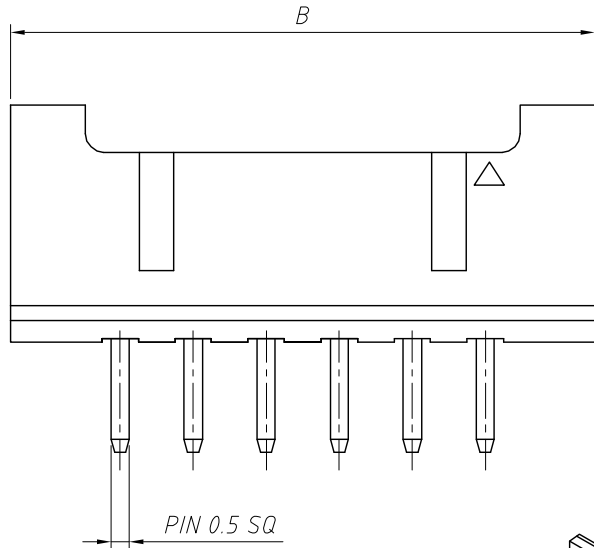
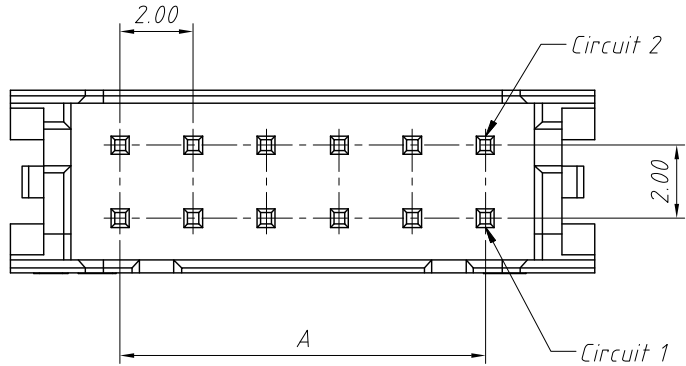
L: RoHS
Pitch: 2.00mm
XX-No. of 02 ~ 44 pins
Type: T-Terminal
H/H2/H3-Hosing
S/S2/S3-Straight mate pin
R/R2/R3-Right angle mate pin
VM-Vertical SMT Pin

| | | | |
|-------------------|------------|--------------|--|
| ANGLE TOLERANCE | PROJECTION | Description: | 2.00mm Pitch PHD type Double Wire to Board Connector |
| ±3° | | | |
| GENERAL TOLERANCE | UNITS | mm | KLS P/N: |
| x.x ±0.30 | SHEET SIZE | A4 | L-KLS1-XA1-2.00-XX-S |
| x.xx ±0.20 | Draw: | Daniel | 2021-01-11 |
| x.xxx ±0.10 | Check: | Daniel | 2021-01-11 |

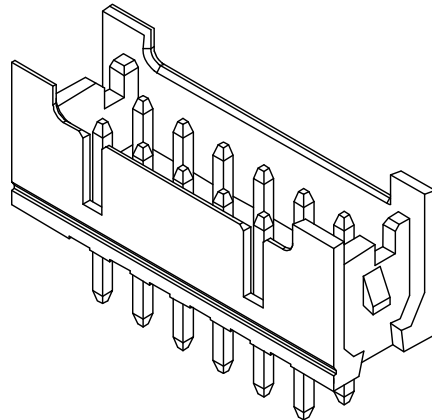


Recommended PCB Layout

RoHS Compliance



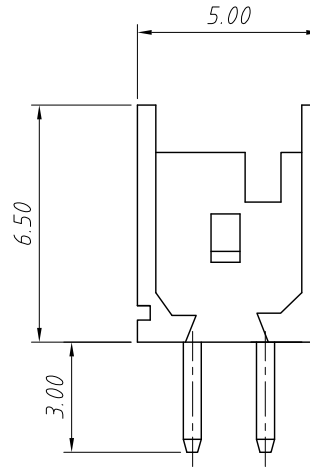
Recommended PCB Layout



Material:
Housing:PA66,UL 94 V-0
Contact:Brass
Plating: Tin Plated

Electrical Characteristics:
Rated Current:3.0AMP
Voltage rating:250V AC,DC
Temperature range:-25°C ~ + 85°C
Insulator Resistance:1000M Ω Min
Withstand Voltage:800V AC/DC
Contact Resistance:20m Ω Max

| Pin | Dimensions(mm) | |
|-----|----------------|-------|
| | A | B |
| 02 | 2.00 | 8.00 |
| 03 | 4.00 | 10.00 |
| 04 | 6.00 | 12.00 |
| 05 | 8.00 | 14.00 |
| 06 | 10.00 | 16.00 |
| 07 | 12.00 | 18.00 |
| 08 | 14.00 | 20.00 |
| 09 | 16.00 | 22.00 |
| 10 | 18.00 | 24.00 |
| 11 | 20.00 | 26.00 |
| 12 | 22.00 | 28.00 |
| 13 | 24.00 | 30.00 |
| 14 | 26.00 | 32.00 |
| 15 | 28.00 | 34.00 |
| 16 | 30.00 | 36.00 |
| 17 | 32.00 | 38.00 |
| 18 | 34.00 | 40.00 |
| 19 | 36.00 | 42.00 |
| 20 | 38.00 | 44.00 |



Order Information:

L-KLS1-XA1-2.00-XX-S2

L: RoHS

Pitch:2.00mm

XX-No. of 02 ~ 40 pins

Type:T-Terminal

H/H2/H3-Hosing

S/S2/S3-Straight male pin

R/R2/R3-Right angle male pin

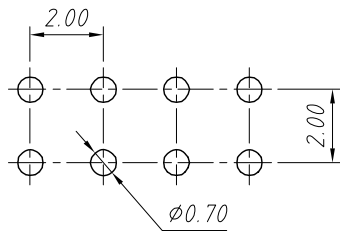
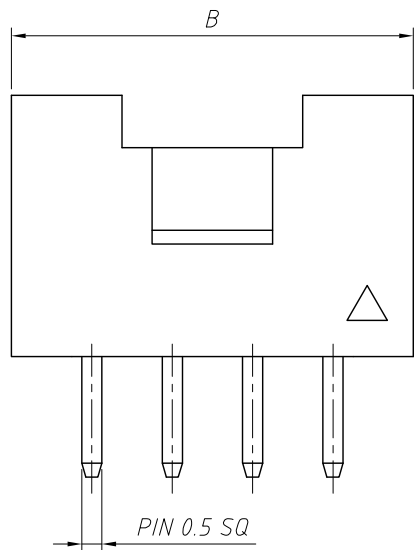
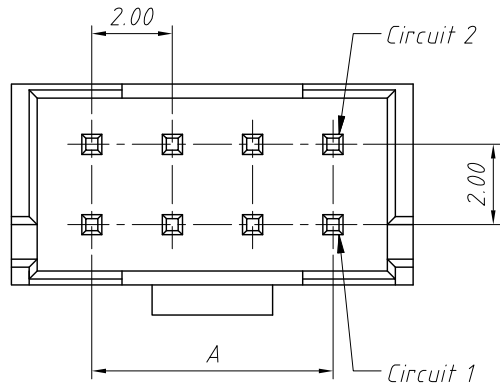
VM-Vertical SMT Pin

| ANGLE TOLERANCE | PROJECTION | Description: | |
|-------------------|------------|--------------|--|
| $\pm 3^\circ$ | | | 2.00mm Pitch PHD type Double Wire to Board Connector |
| GENERAL TOLERANCE | UNITS | mm | KLS P/N: |
| x.x | ± 0.30 | SHEET SIZE | A4 |
| x.xx | ± 0.20 | Draw: | Daniel 2021-01-11 |
| x.xxx | ± 0.10 | Check: | Daniel 2021-01-11 |

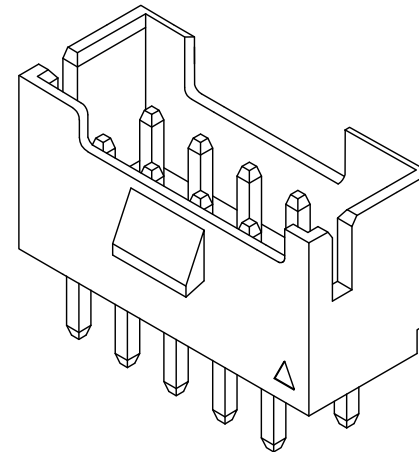
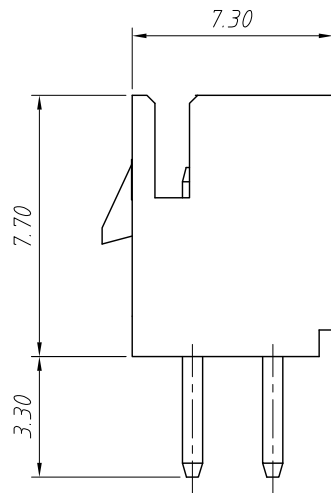


NingBo KLS ELECTRONIC CO.,L TD.

RoHS Compliance



Recommended PCB Layout



Material:

Housing: PA46, UL 94 V-0

Contact: Brass

Plating: Tin Plated

Electrical Characteristics:

Rated Current: 3.0 AMP

Voltage rating: 250V AC, DC

Temperature range: -25°C ~ +85°C

Insulator Resistance: 1000M Ω Min

Withstand Voltage: 800V AC/DC

Contact Resistance: 20m Ω Max

| Pin | Dimensions(mm) | |
|-----|----------------|-------|
| | A | B |
| 02 | 2.00 | 6.00 |
| 03 | 4.00 | 8.00 |
| 04 | 6.00 | 10.00 |
| 05 | 8.00 | 12.00 |
| 06 | 10.00 | 14.00 |
| 07 | 12.00 | 16.00 |
| 08 | 14.00 | 18.00 |
| 09 | 16.00 | 20.00 |
| 10 | 18.00 | 22.00 |
| 11 | 20.00 | 24.00 |
| 12 | 22.00 | 26.00 |
| 13 | 24.00 | 28.00 |
| 14 | 26.00 | 30.00 |
| 15 | 28.00 | 32.00 |
| 16 | 30.00 | 34.00 |
| 17 | 32.00 | 36.00 |
| 18 | 34.00 | 38.00 |
| 19 | 36.00 | 40.00 |
| 20 | 38.00 | 42.00 |

Order Information:

L-KLS1-XA1-2.00-XX-S3

L: RoHS

Pitch: 2.00mm

XX-No. of 08 ~ 40 pins

Type: T - Terminal

H/H2/H3 - Hosing

S/S2/S3 - Straight male pin

R/R2/R3 - Right angle male pin

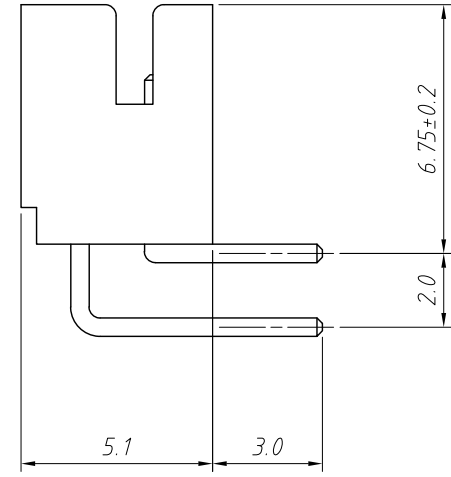
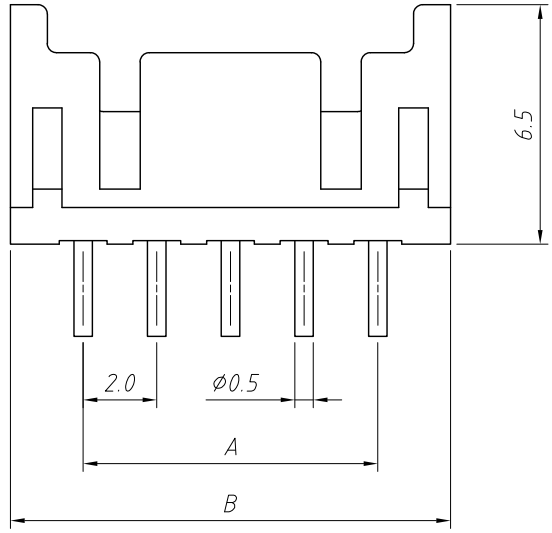
VM - Vertical SMT Pin

| ANGLE TOLERANCE | PROJECTION | Description: |
|-------------------|------------|--|
| $\pm 3^\circ$ | | 2.00mm Pitch PHD type Double Wire to Board Connector |
| GENERAL TOLERANCE | UNITS | mm |
| x.x ± 0.30 | SHEET SIZE | A4 |
| x.xx ± 0.20 | Draw: | Daniel 2021-01-11 |
| x.xxx ± 0.10 | Check: | Daniel 2021-01-11 |

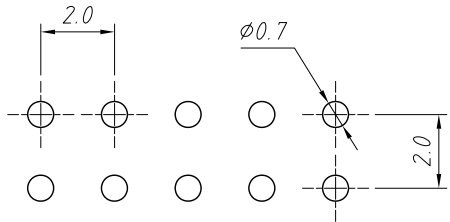
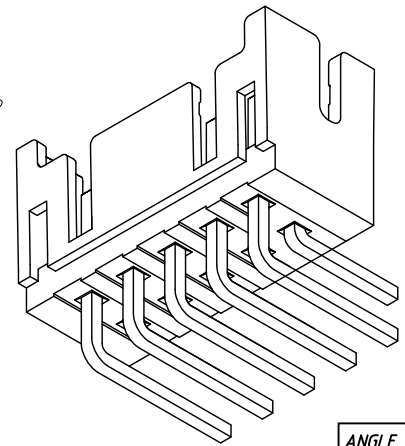
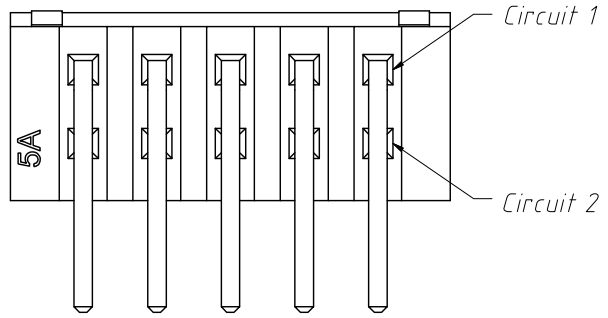


NingBo KLS ELECTRONIC CO., L TD.

1
RoHS Compliance



| Pin | Dimensions(mm) | |
|-----|----------------|-------|
| | A | B |
| 02 | 2.00 | 6.00 |
| 03 | 4.00 | 8.00 |
| 04 | 6.00 | 10.00 |
| 05 | 8.00 | 12.00 |
| 06 | 10.00 | 14.00 |
| 07 | 12.00 | 16.00 |
| 08 | 14.00 | 18.00 |
| 09 | 16.00 | 20.00 |
| 10 | 18.00 | 22.00 |
| 11 | 20.00 | 24.00 |
| 12 | 22.00 | 26.00 |
| 13 | 24.00 | 28.00 |
| 14 | 26.00 | 30.00 |
| 15 | 28.00 | 32.00 |
| 16 | 30.00 | 34.00 |
| 17 | 32.00 | 36.00 |
| 18 | 34.00 | 38.00 |
| 19 | 36.00 | 40.00 |
| 20 | 38.00 | 42.00 |



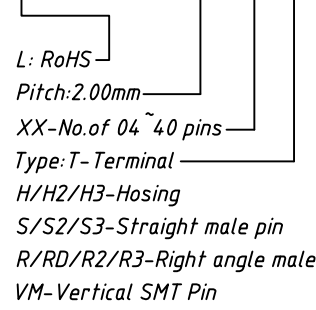
Recommended PCB Layout

Material:
Housing:PA66,UL 94V-0
Contact:Brass
Plating: Tin Plated

Electrical Characteristics:
Rated Current:3.0AMP
Voltage rating:250V AC,DC
Temperature range:-25°C ~ +85°C
Insulator Resistance:1000MΩ Min
Withstand Voltage:800V AC/DC
Contact Resistance:10mΩ Max

Order Information:

L-KLS1-XA1-2.00-XX-R

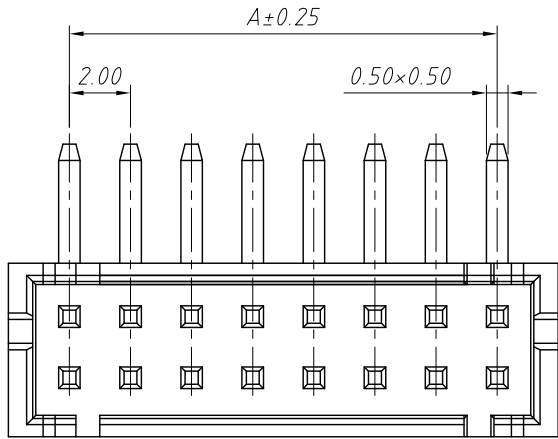


| ANGLE TOLERANCE | PROJECTION | Description: | |
|-------------------|------------|--------------|--|
| ±3° | | | 2.00mm Pitch PHD type Double Wire to Board Connector |
| GENERAL TOLERANCE | UNITS | mm | KLS P/N: |
| x.x ±0.30 | SHEET SIZE | A4 | L-KLS1-XA1-2.00-XX-R |
| x.xx ±0.20 | Draw: | Daniel | 2021-01-11 |
| x.xxx ±0.10 | Check: | Daniel | 2021-01-11 |



NingBo KLS ELECTRONIC CO.,L TD.

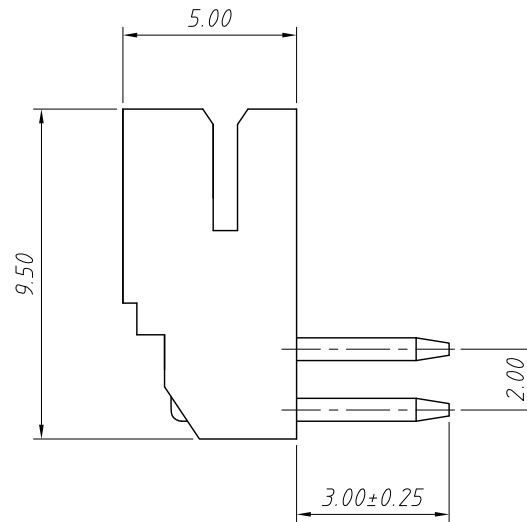
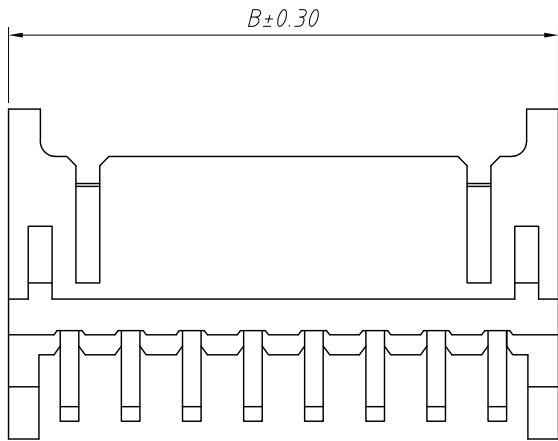
1 RoHS Compliance



Material:
Housing: PA66, UL 94 V-0
Contact: Brass
Plating: Tin Plated

Electrical Characteristics:
Rated Current: 3.0AMP
Voltage rating: 250V AC, DC
Temperature range: $-25^{\circ}\text{C} \sim +85^{\circ}\text{C}$
Insulator Resistance: 1000M Ω Min
Withstand Voltage: 800V AC/DC
Contact Resistance: 20m Ω Max

| Pin | Dimensions(mm) | |
|-----|----------------|-------|
| | A | B |
| 02 | 2.00 | 6.00 |
| 03 | 4.00 | 8.00 |
| 04 | 6.00 | 10.00 |
| 05 | 8.00 | 12.00 |
| 06 | 10.00 | 14.00 |
| 07 | 12.00 | 16.00 |
| 08 | 14.00 | 18.00 |
| 09 | 16.00 | 20.00 |
| 10 | 18.00 | 22.00 |
| 11 | 20.00 | 24.00 |
| 12 | 22.00 | 26.00 |
| 13 | 24.00 | 28.00 |
| 14 | 26.00 | 30.00 |
| 15 | 28.00 | 32.00 |
| 16 | 30.00 | 34.00 |
| 17 | 32.00 | 36.00 |
| 18 | 34.00 | 38.00 |
| 19 | 36.00 | 40.00 |
| 20 | 38.00 | 42.00 |



Order Information:

L-KLS1-XA1-2.00-XX-RD

L: RoHS

Pitch: 2.00mm

XX~No. of 02~44 pins

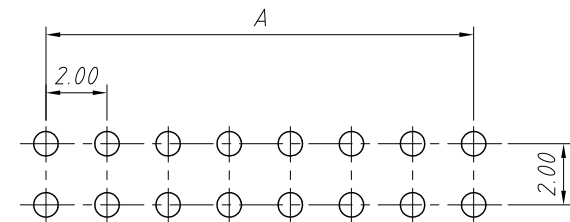
Type: T-Terminal

H/H2/H3-Hosing

S/S2/S3-Straight male pin

R/RD/R2/R3-Right angle male pin

VM-Vertical SMT Pin



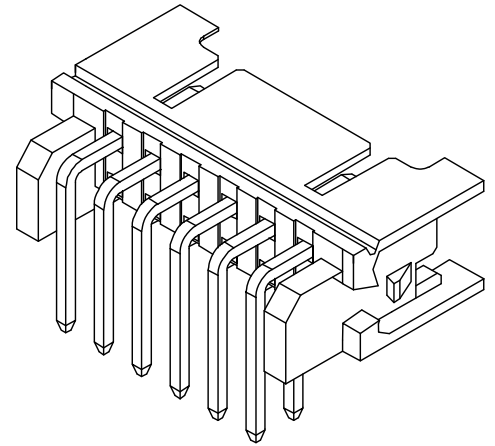
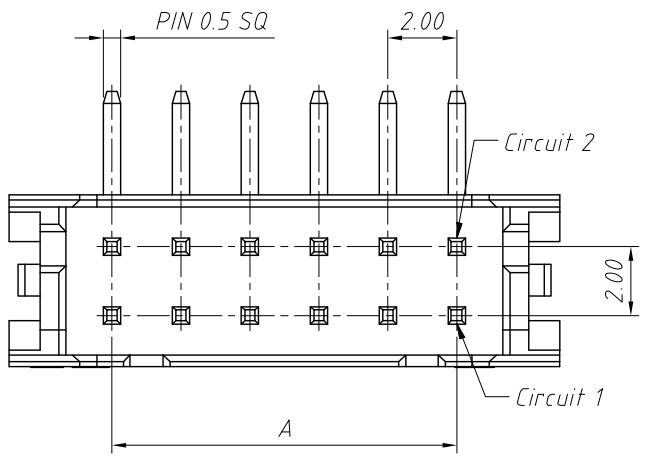
Recommended PCB Layout

| ANGLE TOLERANCE | PROJECTION | Description: |
|-------------------|------------|--|
| $\pm 3^{\circ}$ | | 2.00mm Pitch PHD type Double Wire to Board Connector |
| GENERAL TOLERANCE | UNITS | mm |
| x.x ± 0.30 | SHEET SIZE | A4 |
| x.xx ± 0.20 | Draw: | Daniel 2021-01-11 |
| x.xxx ± 0.10 | Check: | Daniel 2021-01-11 |

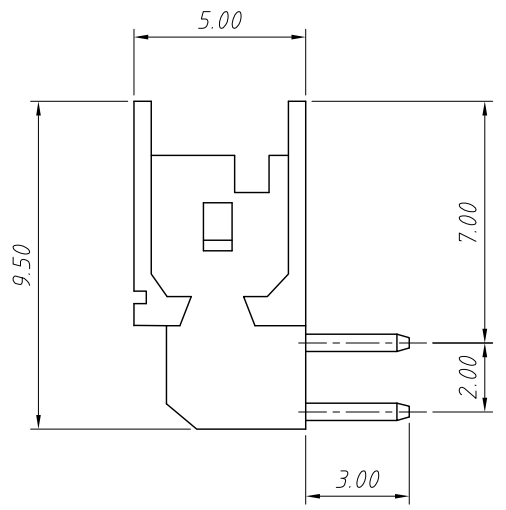
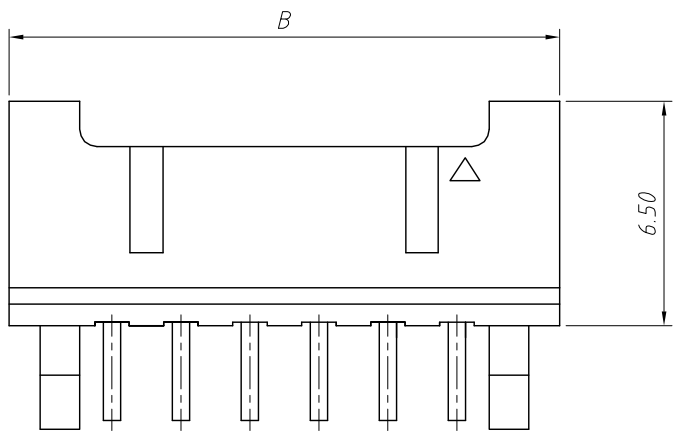


NingBo KLS ELECTRONIC CO.,LTD.

1
RoHS Compliance



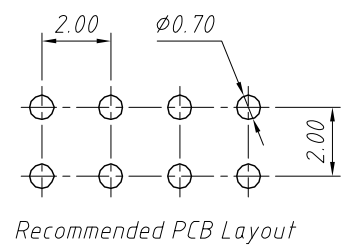
| Pin | Dimensions(mm) | |
|-----|----------------|-------|
| | A | B |
| 02 | 2.00 | 8.00 |
| 03 | 4.00 | 10.00 |
| 04 | 6.00 | 12.00 |
| 05 | 8.00 | 14.00 |
| 06 | 10.00 | 16.00 |
| 07 | 12.00 | 18.00 |
| 08 | 14.00 | 20.00 |
| 09 | 16.00 | 22.00 |
| 10 | 18.00 | 24.00 |
| 11 | 20.00 | 26.00 |
| 12 | 22.00 | 28.00 |
| 13 | 24.00 | 30.00 |
| 14 | 26.00 | 32.00 |
| 15 | 28.00 | 34.00 |
| 16 | 30.00 | 36.00 |
| 17 | 32.00 | 38.00 |
| 18 | 34.00 | 40.00 |
| 19 | 36.00 | 42.00 |
| 20 | 38.00 | 44.00 |



Order Information:
L-KLS1-XA1-2.00-XX-R2
 L: RoHS
 Pitch: 2.00mm
 XX-No. of 02 ~ 40 pins
 Type: T-Terminal
 H/H2/H3-Hosing
 S/S2/S3-Straight male pin
 R/RD/R2/R3-Right angle male pin
 VM-Vertical SMT Pin

Material:
 Housing: PA9T, UL94V-0
 Contact: Brass
 Plating: Tin Plated

Electrical Characteristics:
 Rated Current: 3.0AMP
 Voltage rating: 250V AC, DC
 Temperature range: -25°C ~ + 85°C
 Insulator Resistance: 1000MΩ Min
 Withstand Voltage: 800V AC/DC
 Contact Resistance: 20mΩ Max

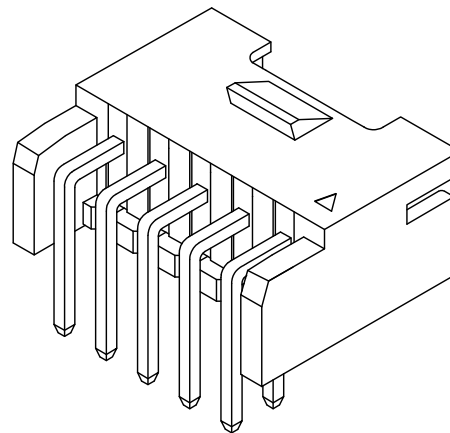
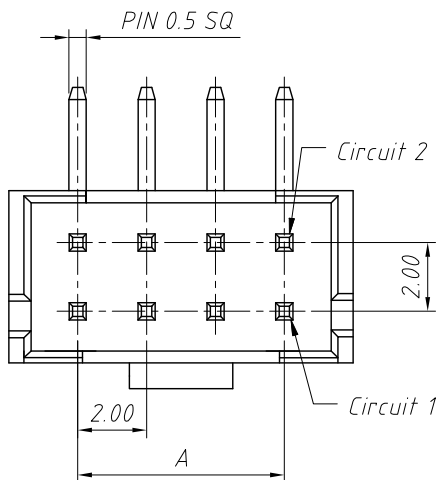


| ANGLE TOLERANCE | PROJECTION | Description: |
|-------------------|------------|--|
| ±3° | | 2.00mm Pitch PHD type Double Wire to Board Connector |
| GENERAL TOLERANCE | UNITS | mm |
| x.x ±0.30 | SHEET SIZE | A4 |
| x.xx ±0.20 | Draw: | Daniel 2021-01-11 |
| x.xxx ±0.10 | Check: | Daniel 2021-01-11 |

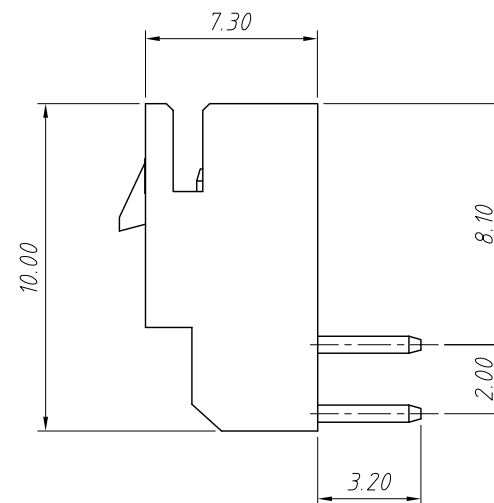
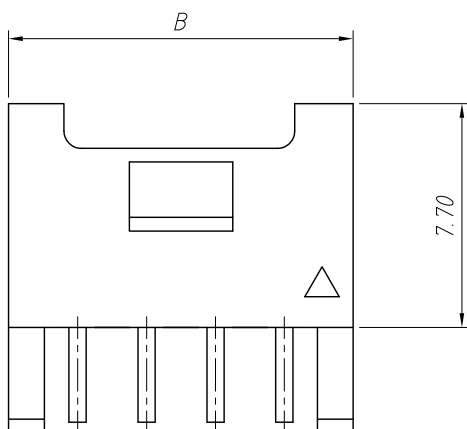
L-KLS1-XA1-2.00-XX-R2

NingBo KLS ELECTRONIC CO.,L TD.

1
RoHS Compliance

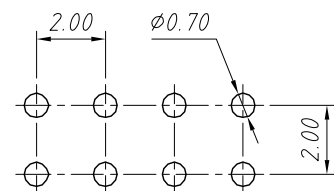


| Pin | Dimensions(mm) | |
|-----|----------------|-------|
| | A | B |
| 02 | 2.00 | 6.00 |
| 03 | 4.00 | 8.00 |
| 04 | 6.00 | 10.00 |
| 05 | 8.00 | 12.00 |
| 06 | 10.00 | 14.00 |
| 07 | 12.00 | 16.00 |
| 08 | 14.00 | 18.00 |
| 09 | 16.00 | 20.00 |
| 10 | 18.00 | 22.00 |
| 11 | 20.00 | 24.00 |
| 12 | 22.00 | 26.00 |
| 13 | 24.00 | 28.00 |
| 14 | 26.00 | 30.00 |
| 15 | 28.00 | 32.00 |
| 16 | 30.00 | 34.00 |
| 17 | 32.00 | 36.00 |
| 18 | 34.00 | 38.00 |
| 19 | 36.00 | 40.00 |
| 20 | 38.00 | 42.00 |



Material:
Housing:PA46,UL94V-0
Contact:Brass
Plating: Tin Plated

Electrical Characteristics:
Rated Current:3.0AMP
Voltage rating:250V AC,DC
Temperature range:-25°C ~ + 85°C
Insulator Resistance:1000M Ω Min
Withstand Voltage:800V AC/DC
Contact Resistance:20m Ω Max



Recommended PCB Layout

Order Information:

L-KLS1-XA1-2.00-XX-R3

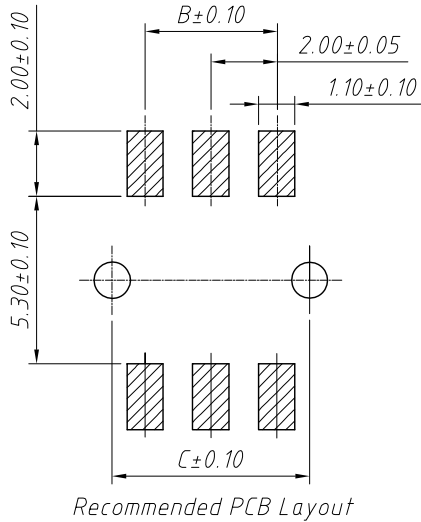
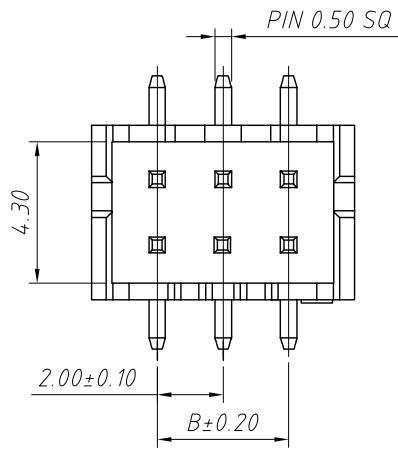
- L: RoHS
- Pitch:2.00mm
- XX-No. of 08 ~ 40 pins
- Type:T-Terminal
- H/H2/H3-Hosing
- S/S2/S3-Straight male pin
- R/RD/R2/R3-Right angle male pin
- VM-Vertical SMT Pin

| ANGLE TOLERANCE | PROJECTION | Description: |
|-------------------|------------|--|
| $\pm 3^\circ$ | | 2.00mm Pitch PHD type Double Wire to Board Connector |
| GENERAL TOLERANCE | UNITS | mm |
| x.x ± 0.30 | SHEET SIZE | A4 |
| x.xx ± 0.20 | Draw: | Daniel 2021-01-11 |
| x.xxx ± 0.10 | Check: | Daniel 2021-01-11 |



NingBo KLS ELECTRONIC CO.,L TD.

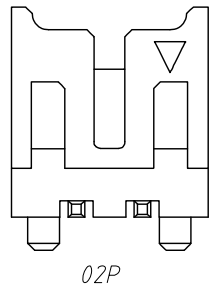
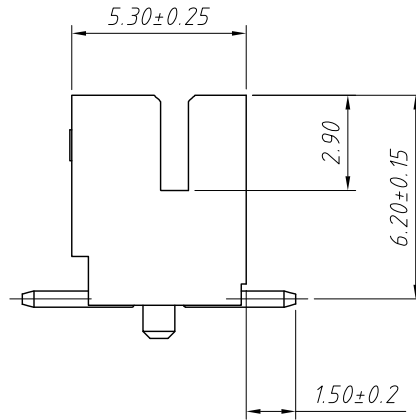
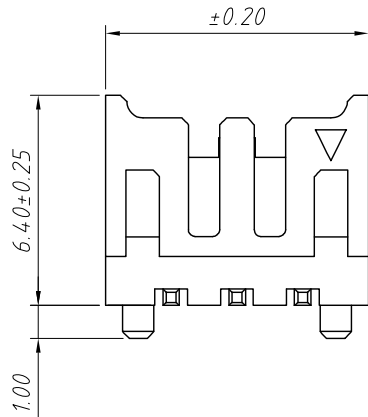
1
RoHS Compliance



Material:
 Insulator: PA9T, UL 94 V-0
 Contact: Brass
 Plating: Tin plated

Electrical Characteristics:
 Rated Current: 3.0AMP
 Voltage rating: 250V AC, DC
 Temperature range: -25°C ~ +85°C
 Insulator Resistance: 1000MΩ Min
 Withstand Voltage: 800V AC/DC
 Contact Resistance: 20mΩ Max

| Pin | Dimensions(mm) | | |
|-----|----------------|-------|-------|
| | A | B | C |
| 02 | 6.00 | 2.00 | 4.00 |
| 03 | 8.00 | 4.00 | 6.00 |
| 04 | 10.00 | 6.00 | 8.00 |
| 05 | 12.00 | 8.00 | 10.00 |
| 06 | 14.00 | 10.00 | 12.00 |
| 07 | 16.00 | 12.00 | 14.00 |
| 08 | 18.00 | 14.00 | 16.00 |
| 09 | 20.00 | 16.00 | 18.00 |
| 10 | 22.00 | 18.00 | 20.00 |
| 11 | 24.00 | 20.00 | 22.00 |
| 12 | 26.00 | 22.00 | 24.00 |
| 13 | 28.00 | 24.00 | 26.00 |
| 14 | 30.00 | 26.00 | 28.00 |
| 15 | 32.00 | 28.00 | 30.00 |
| 16 | 34.00 | 30.00 | 32.00 |
| 17 | 36.00 | 32.00 | 34.00 |
| 18 | 38.00 | 34.00 | 36.00 |
| 19 | 40.00 | 36.00 | 38.00 |
| 20 | 42.00 | 38.00 | 40.00 |



Order Information:

L-KLS1-XA1-2.00-XX-VM

L: RoHS

Pitch: 2.00mm

XX-No. of 02~40 pins

Type: T-Terminal

H/H2/H3-Hosing

S/S2/S3-Straight male pin

R/R2/R3-Right angle male pin

VM-Vertical SMT Pin

| | | | |
|-------------------|------------|-------------------|--|
| ANGLE TOLERANCE | PROJECTION | Description: | 2.00mm Pitch PHD type Double Wire to Board Connector |
| ±3° | | | |
| GENERAL TOLERANCE | UNITS | mm | KLS P/N: L-KLS1-XA1-2.00-XX-VM |
| x.x ±0.30 | SHEET SIZE | A4 | NingBo KLS ELECTRONIC CO.,LTD. |
| x.xx ±0.20 | Draw: | Daniel 2021-01-11 | |
| x.xxx ±0.10 | Check: | Daniel 2021-01-11 | |