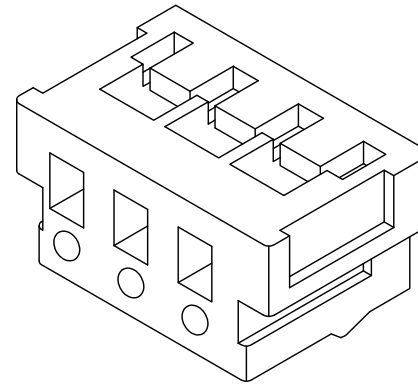
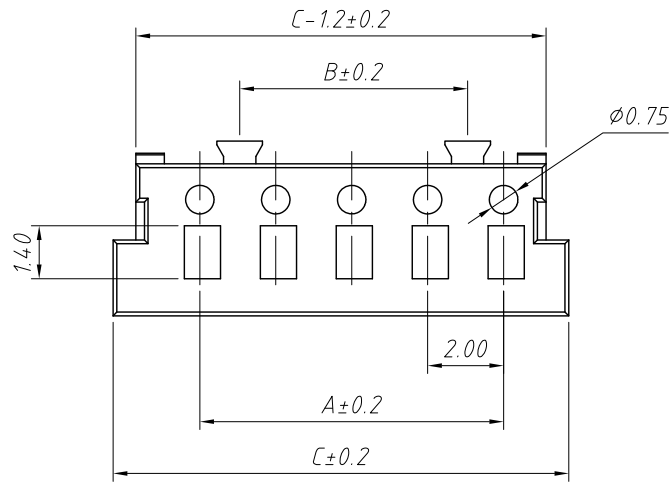
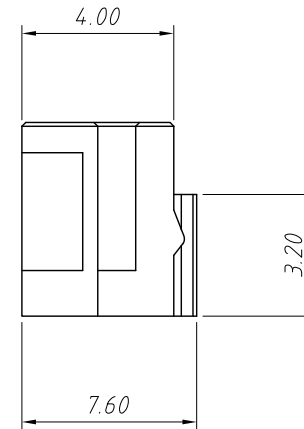
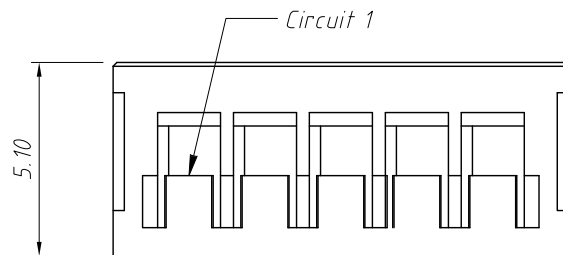


1 RoHS Compliance



Pin	Dimensions(mm)		
	A	B	C
02	2.00	---	6.00
03	4.00	---	8.00
04	6.00	4.00	10.00
05	8.00	6.00	12.00
06	10.00	8.00	14.00
07	12.00	10.00	16.00
08	14.00	12.00	18.00
09	16.00	14.00	20.00
10	18.00	16.00	22.00
11	20.00	18.00	24.00
12	22.00	20.00	26.00
13	24.00	22.00	28.00
14	26.00	24.00	30.00
15	28.00	26.00	32.00
16	30.00	28.00	34.00



Order Information:

L-KLS1-XC1-2.00-XX-H

L: RoHS

Pitch: 2.00mm

XX-No. of 02 ~ 16 pins

Type:

T-Terminal H-Hosing

S-Straight male pin

R-Right angle male pin

Material:

Housing: PA66, UL 94V-0

Electrical Characteristics:

Rated Current: 4.0AMP

Voltage rating: 125V AC, DC

Temperature range: -25°C ~ +85°C

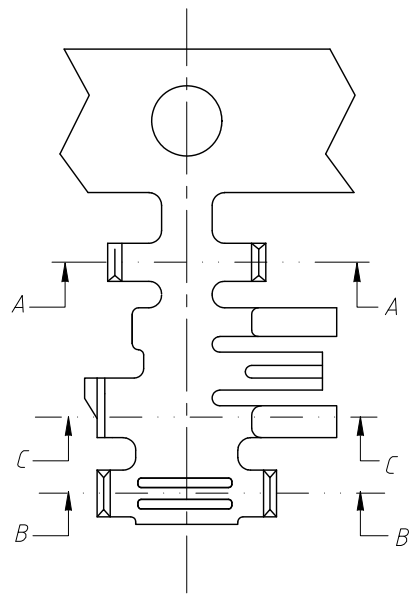
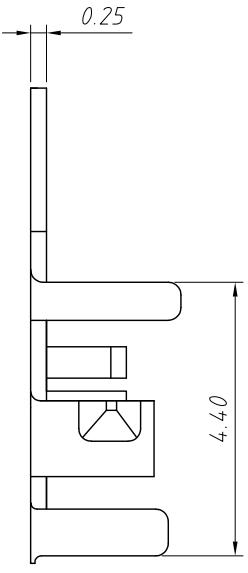
Insulator Resistance: 1000MΩ Min

Withstand Voltage: 1000V AC/DC

Contact Resistance: 10mΩ Max

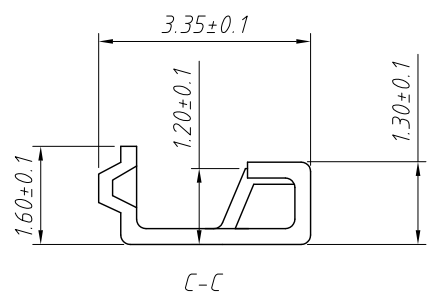
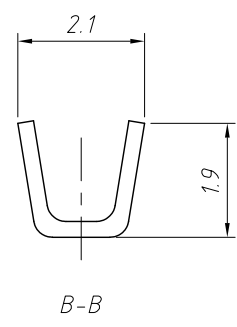
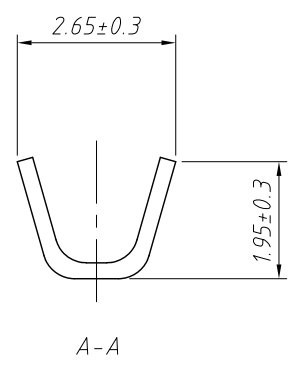
ANGLE TOLERANCE	PROJECTION	Description:	2.00mm Pitch 179228 292130	
±3°			Wire to Board Connector	
GENERAL TOLERANCE	UNITS	mm	KLS P/N: L-KLS1-XC1-2.00-XX-H	
x.x ±0.30	SHEET SIZE	A4	NingBo KLS ELECTRONIC CO.,LTD.	
x.xx ±0.20	Draw:	Daniel		2021-01-11
x.xxx ±0.10	Check:	Daniel		2021-01-11

1
RoHS Compliance



Material:
 Terminal: Phosphor Bronze
 Plating: Tin plated
 Applicable wires: AWG #28 ~ # 24
 Insulation O.D: 1.2mm Max

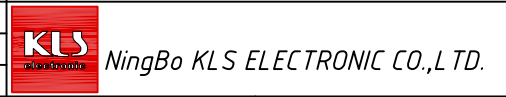
Electrical Characteristics:
 Rated Current: 4.0AMP
 Voltage rating: 125V AC, DC
 Temperature range: -25°C ~ + 85°C
 Insulator Resistance: 1000MΩ Min
 Withstand Voltage: 1000V AC/DC
 Contact Resistance: 10mΩ Max



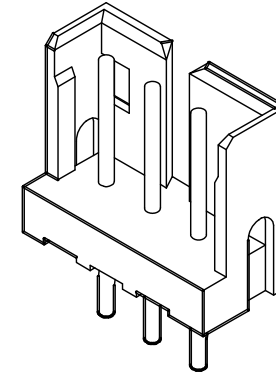
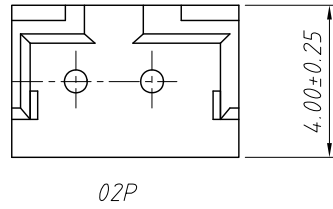
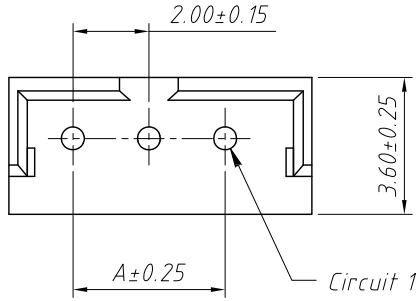
Order Information:
 L-KLS1-XC1-2.00-T

 L: RoHS
 Pitch: 2.00mm
 Type:
 T-Terminal H-Hosing
 S-Straight male pin
 R-Right angle male pin

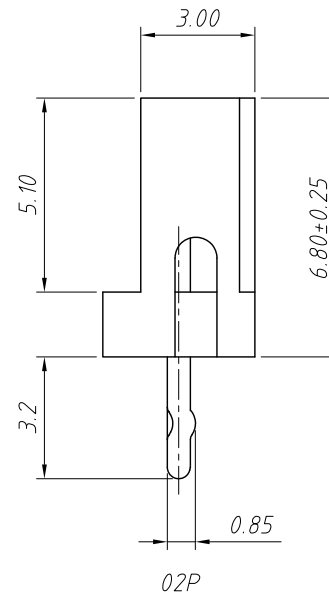
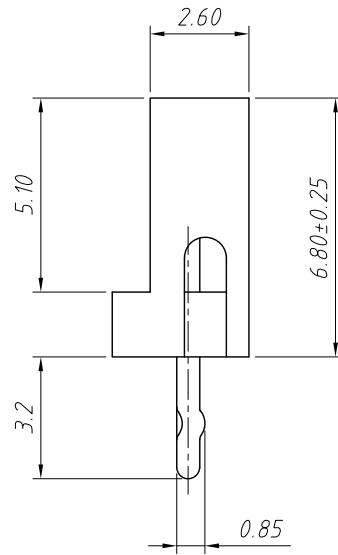
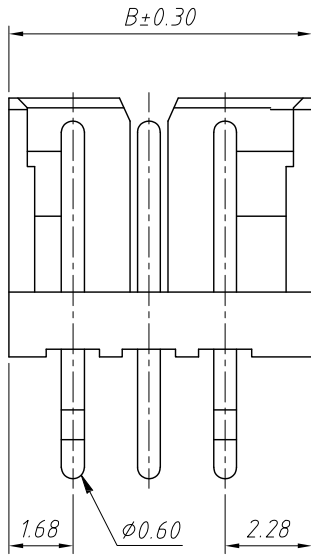
ANGLE TOLERANCE	PROJECTION	Description:	2.00mm Pitch 179228 292130
±3°			Wire to Board Connector
GENERAL TOLERANCE	UNITS	mm	KLS P/N:
x.x ±0.30	SHEET SIZE	A4	L-KLS1-XC1-2.00-T
x.xx ±0.20	Draw:	Daniel	2021-01-11
x.xxx ±0.10	Check:	Daniel	2021-01-11



1 RoHS Compliance

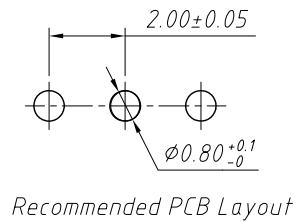


Pin	Dimensions(mm)	
	A	B
02	2.00	5.96
03	4.00	7.96
04	6.00	9.96
05	8.00	11.96
06	10.00	13.96
07	12.00	15.96
08	14.00	17.96
09	16.00	19.96
10	18.00	21.96
11	20.00	23.96
12	22.00	25.96
13	24.00	27.96
14	26.00	29.96
15	28.00	31.96



Material:
 Housing:PA66,UL 94V-0
 Contact:Brass
 Plating:Tin Plated

Electrical Characteristics:
 Rated Current:4.0AMP
 Voltage rating:125V AC,DC
 Temperature range:-25°C ~ +85°C
 Insulator Resistance:1000MΩ Min
 Withstand Voltage:1000V AC/DC
 Contact Resistance:10mΩ Max



Recommended PCB Layout

Order Information:

L-KLS1-XC1-2.00-XX-S

L: RoHS

Pitch:2.00mm

XX-No.of 02~15 pins

Type:

T-Terminal H-Hosing

S-Straight male pin

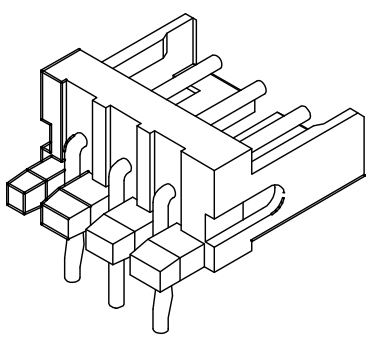
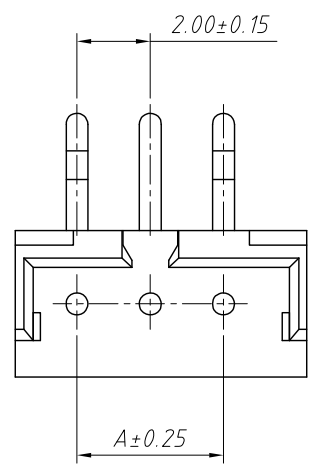
R-Right angle male pin

ANGLE TOLERANCE	PROJECTION	Description:	
±3°			2.00mm Pitch 179228 292130 Wire to Board Connector
GENERAL TOLERANCE	UNITS	mm	KLS P/N:
x.x ±0.30	SHEET SIZE	A4	L-KLS1-XC1-2.00-XX-S
x.xx ±0.20	Draw:	Daniel	2021-01-11
x.xxx ±0.10	Check:	Daniel	2021-01-11



NingBo KLS ELECTRONIC CO.,L TD.

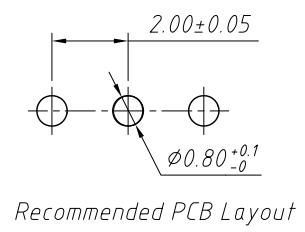
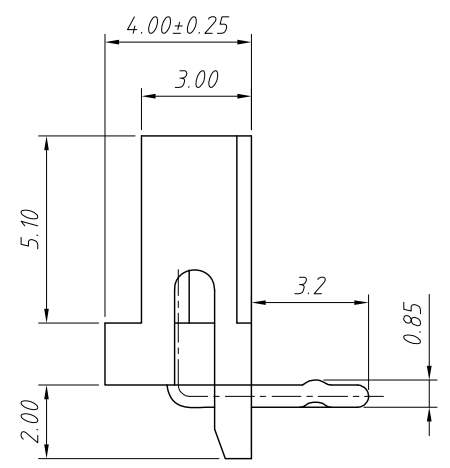
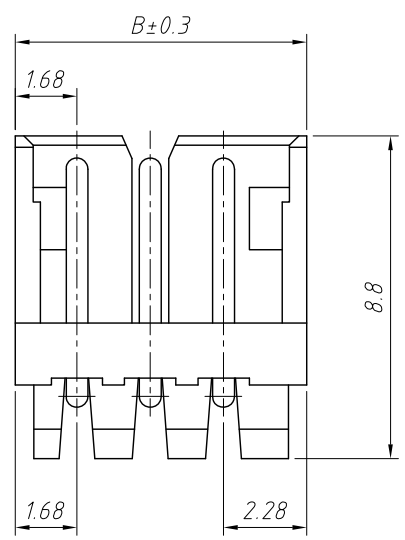
1
RoHS Compliance



Material:
 Housing: PA66, UL 94V-0
 Contact: Brass

Electrical Characteristics:
 Rated Current: 4.0AMP
 Voltage rating: 125V AC, DC
 Temperature range: -25°C ~ +85°C
 Insulator Resistance: 1000MΩ Min
 Withstand Voltage: 1000V AC/DC
 Contact Resistance: 20mΩ Max

Pin	Dimensions(mm)	
	A	B
02	2.00	5.96
03	4.00	7.96
04	6.00	9.96
05	8.00	11.96
06	10.00	13.96
07	12.00	15.96
08	14.00	17.96
09	16.00	19.96
10	18.00	21.96
11	20.00	23.96
12	22.00	25.96
13	24.00	27.96
14	26.00	29.96
15	28.00	31.96



Order Information:
 L-KLS1-XC1-2.00-XX-R

L: RoHS
 Pitch: 2.00mm
 XX-No. of 02 ~ 15 pins
 Type: _____
 T-Terminal H-Hosing
 S-Straight male pin
 R-Right angle male pin

ANGLE TOLERANCE	PROJECTION	Description:	2.00mm Pitch 179228 292130
±3°			Wire to Board Connector
GENERAL TOLERANCE	UNITS	mm	KLS P/N:
x.x ±0.30	SHEET SIZE	A4	L-KLS1-XC1-2.00-XX-R
x.xx ±0.20	Draw:	Daniel	2021-01-11
x.xxx ±0.10	Check:	Daniel	2021-01-11

