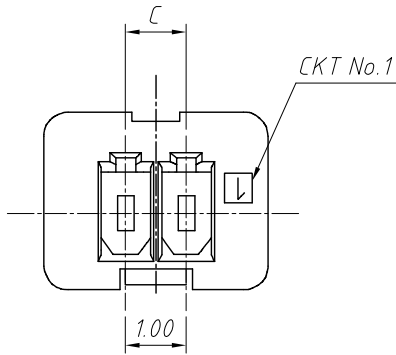


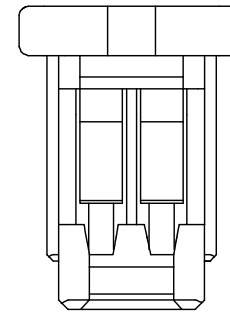
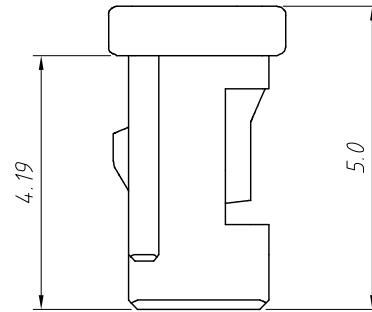
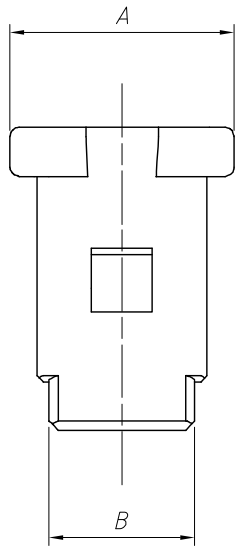
1
RoHS Compliance



Poles	Dimensions(mm)		
	A	B	C
02	3.70	2.40	1.00
03	4.70	3.40	2.00
04	5.70	4.40	3.00
05	6.70	5.40	4.00

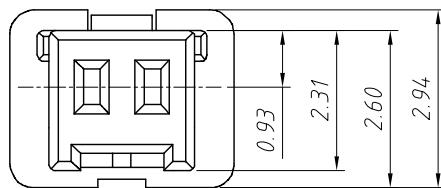
Material:
Housing:PA66 ,UL 94V-0,
Colour:Natural

Electrical Characteristics:
Current rating:1.0A AC,DC
Voltage rating:50V AC,DC
Temperature range:-25°C ~ + 85°C
Insulation resistance:100M Ω /Min.
Withstanding voltage:500V AC/minute
Contact resistance:20m Ω /Max.



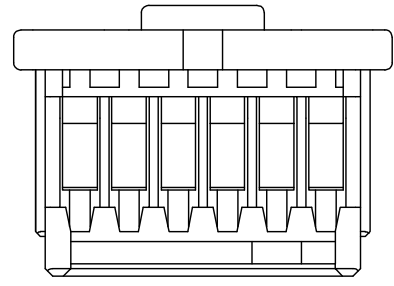
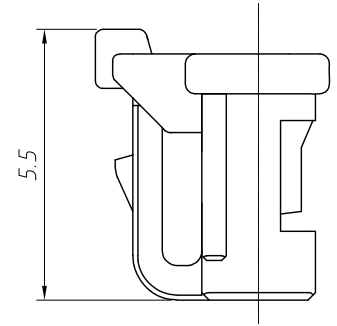
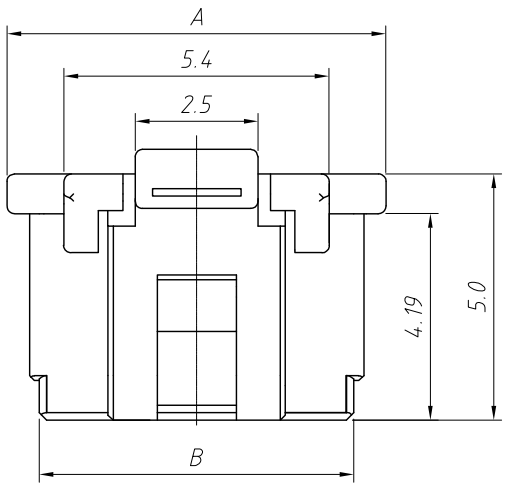
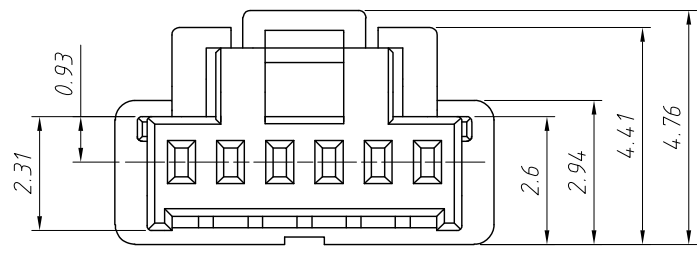
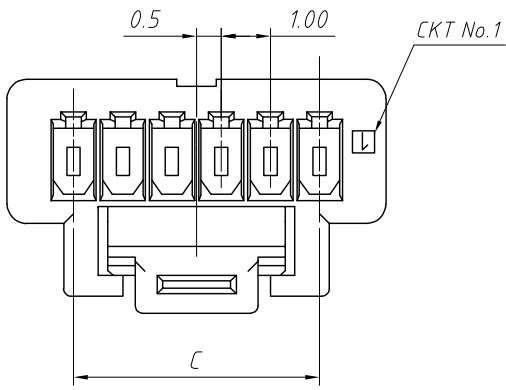
Order Information:
L-KLS1-XF6-1.00-XX-H

L: RoHS
1.00mm Pitch
XX-No. of 02~05pin
Type: T-Terminal
H-Hosing H2-Hosing
VM-Vertical SMT Pin
RM-Horizontal SMT Pin



ANGLE TOLERANCE	PROJECTION	Description:	1.00mm Pitch
$\pm 3^\circ$		501330 501331 501568 wire to board connector	
GENERAL TOLERANCE	UNITS	mm	KLS P/N: L-KLS1-XF6-1.00-XX-H
x.x ± 0.30	SHEET SIZE	A4	NingBo KLS ELECTRONIC CO.,L TD.
x.xx ± 0.20	Draw:	Daniel 2020-11-11	
x.xxx ± 0.10	Check:	Daniel 2020-11-11	

1
RoHS Compliance



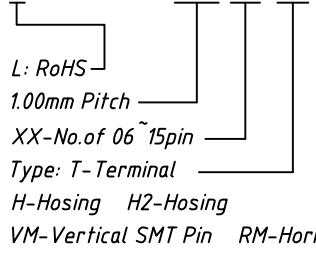
Material:
Housing:PA66 ,UL 94V-0,
Colour:Natural

Electrical Characteristics:
Current rating:1.0A AC,DC
Voltage rating:50V AC,DC
Temperature range:-25°C ~ + 85°C
Insulation resistance:100MΩ/Min.
Withstanding voltage:500V AC/minute
Contact resistance:20mΩ/Max.

Poles	Dimensions(mm)		
	A	B	C
06	7.70	6.40	5.00
07	8.70	7.40	6.00
08	9.70	8.40	7.00
09	10.70	9.40	8.00
10	11.70	10.40	9.00
11	12.70	11.40	10.00
12	13.70	12.40	11.00
13	14.70	13.40	12.00
14	15.70	14.40	13.00
15	16.70	15.40	14.00

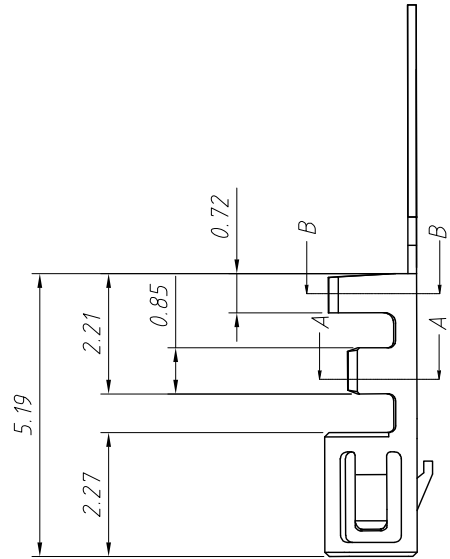
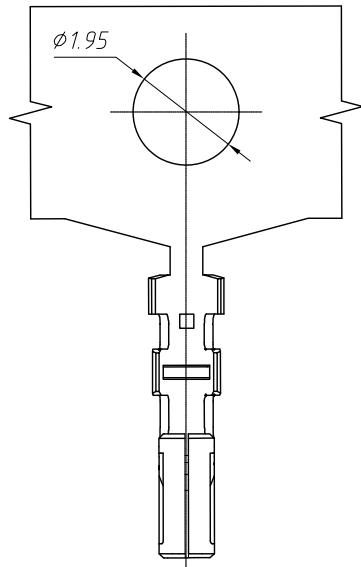
Order Information:

L-KLS1-XF6-1.00-XX-H2



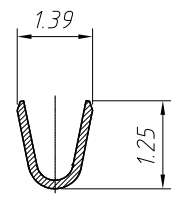
ANGLE TOLERANCE	PROJECTION	Description:	1.00mm Pitch	
±3°		501330 501331 501568 wire to board connector		
GENERAL TOLERANCE	UNITS	mm	KLS P/N: L-KLS1-XF6-1.00-XX-H2	
x.x ±0.30	SHEET SIZE	A4	NingBo KLS ELECTRONIC CO.,L TD.	
x.xx ±0.20	Draw:	Daniel		2020-11-11
x.xxx ±0.10	Check:	Daniel		2020-11-11

1
RoHS Compliance

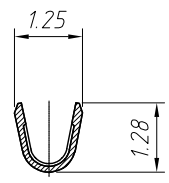


Material:
Terminal: Phosphor Bronze
Finish: Gold plated
Applicable wires: AWG #28 ~ #32
Insulation O.D.: 0.8mm Max.

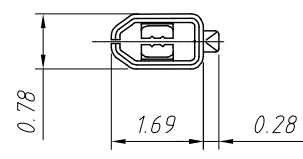
Electrical Characteristics:
Current rating: 1.0A AC, DC
Voltage rating: 50V AC, DC
Temperature range: -25°C ~ +85°C
Insulation resistance: 100MΩ/Min.
Withstanding voltage: 500V AC/minute
Contact resistance: 20mΩ/Max.



SECTION B-B



SECTION A-A



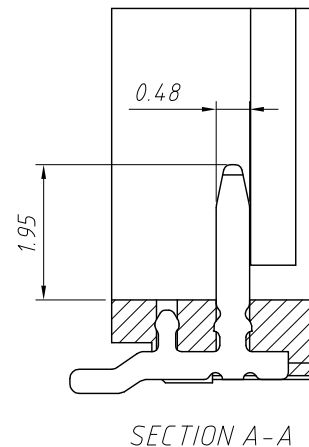
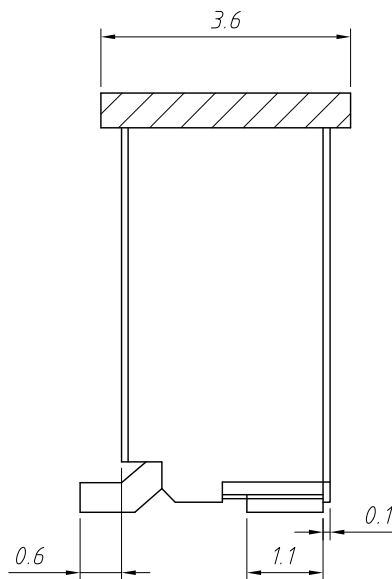
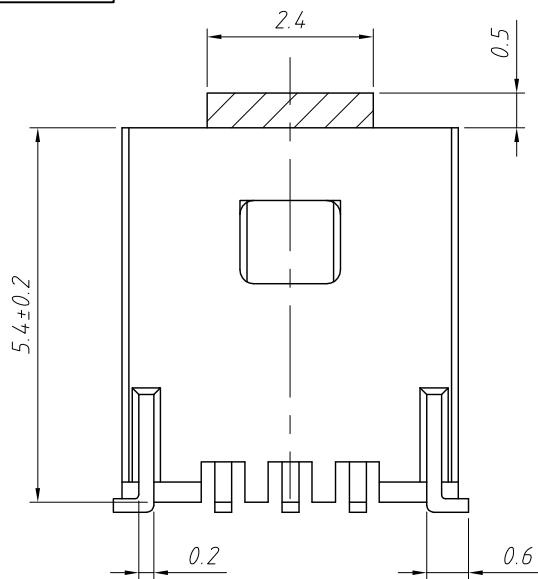
Order Information:
L-KLS1-XF6-1.00-T
L: RoHS
1.00mm Pitch
Type: T-Terminal
H-Hosing H2-Hosing
VM-Vertical SMT Pin
RM-Horizontal SMT Pin

ANGLE TOLERANCE	PROJECTION	Description:	1.00mm Pitch
±3°		501330 501331 501568 wire to board connector	
GENERAL TOLERANCE	UNITS	mm	KLS P/N: L-KLS1-XF6-1.00-T
x.x ±0.30	SHEET SIZE	A4	
x.xx ±0.20	Draw:	Daniel	2020-11-11
x.xxx ±0.10	Check:	Daniel	2020-11-11



NingBo KLS ELECTRONIC CO.,LTD.

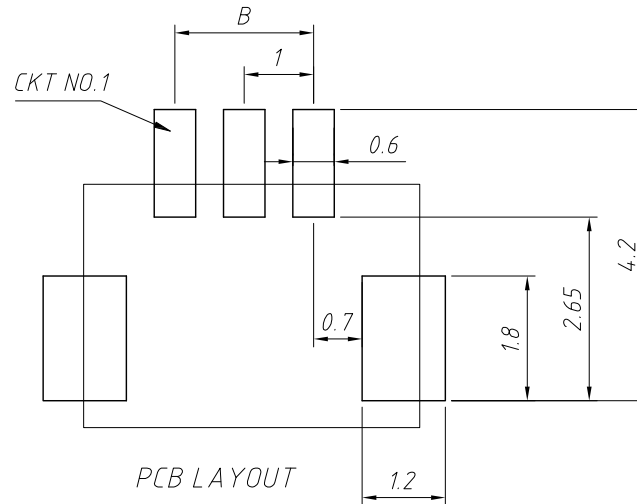
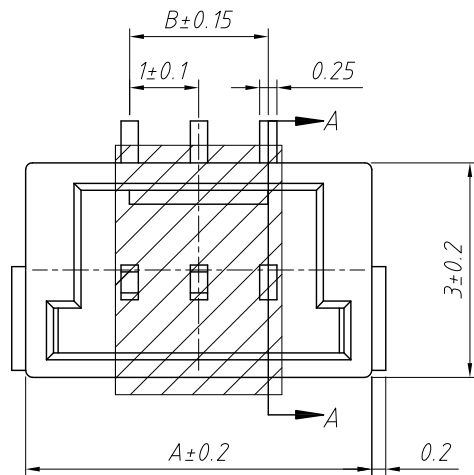
1 RoHS Compliance



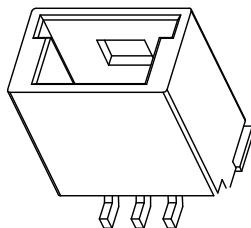
Material:
Housing:LCP,UL 94V-0,
Colour:Natural
Contact:Phosphor Bronze
Finish:Tin Bronze,Tin plated

Electrical Characteristics:
Current rating:1.0A AC,DC
Voltage rating:50V AC,DC
Temperature range:-25°C ~ + 85°C
Insulation resistance:100MΩ/Min.
Withstanding voltage:250V AC/minute
Contact resistance:20mΩ/Max.

Poles	Dimensions(mm)	
	A	B
02	4.00	1.00
03	5.00	2.00
04	6.00	3.00
05	7.00	4.00



Order Information:
L-KLS1-XF6-1.00-XX-VM
L: RoHS
1.00mm Pitch
XX-No. of 02~05pin
Type: T-Terminal
H-Hosing H2-Hosing
VM-Vertical SMT Pin
RM-Horizontal SMT Pin

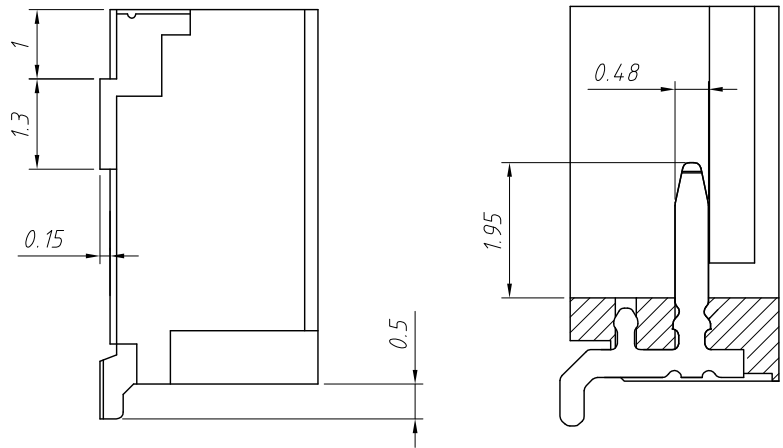
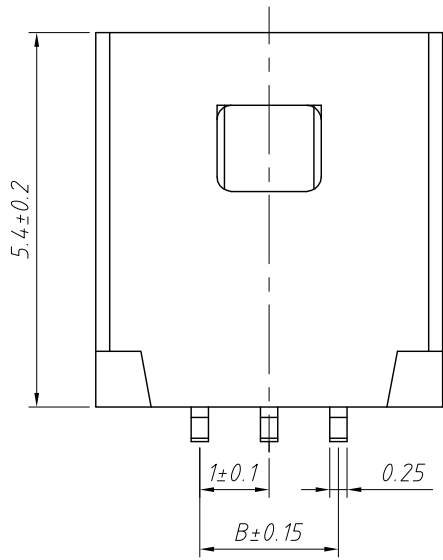


ANGLE TOLERANCE	PROJECTION	Description:
±3°		1.00mm Pitch wire to board connector
GENERAL TOLERANCE	UNITS	mm
x.x ±0.30	SHEET SIZE	A4
x.xx ±0.20	Draw:	Daniel 2020-11-11
x.xxx ±0.10	Check:	Daniel 2020-11-11



NingBo KLS ELECTRONIC CO.,LTD.

1 RoHS Compliance

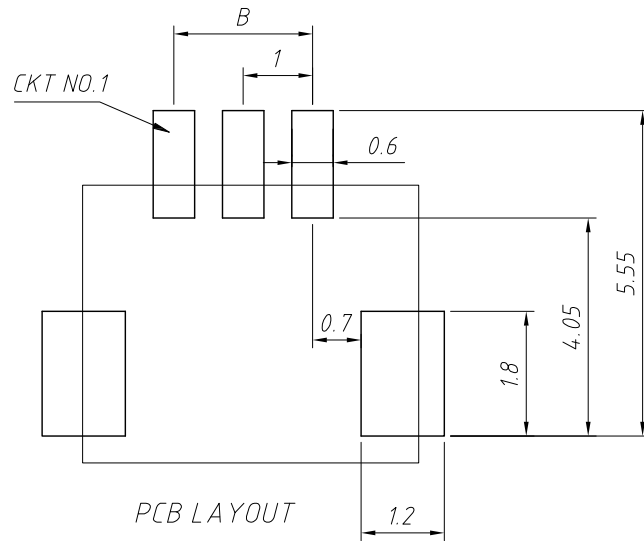
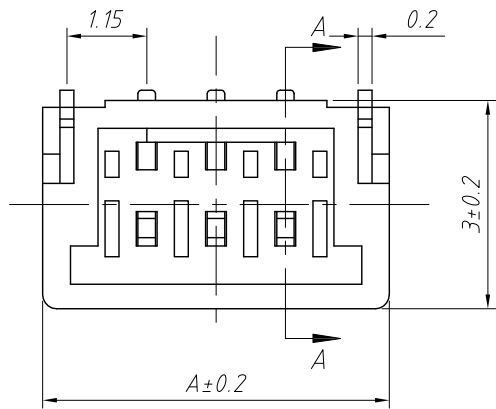


SECTION A-A

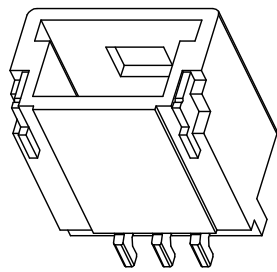
Material:
 Housing:LCP,UL 94V-0,
 Colour:Natural
 Contact:Phosphor Bronze
 Finish: Tin Bronze, Tin plated

Electrical Characteristics:
 Current rating:1.0A AC,DC
 Voltage rating:50V AC,DC
 Temperature range:-25°C ~ + 85°C
 Insulation resistance:100MΩ/Min.
 Withstanding voltage:250V AC/minute
 Contact resistance:20mΩ/Max.

Poles	Dimensions(mm)	
	A	B
02	4.00	1.00
03	5.00	2.00
04	6.00	3.00
05	7.00	4.00



Order Information:
 L-KLS1-XF6-1.00-XX-RM
 L: RoHS
 1.00mm Pitch
 XX-No. of 02~05pin
 Type: T-Terminal
 H-Hosing H2-Hosing
 VM-Vertical SMT Pin
 RM-Horizontal SMT Pin



ANGLE TOLERANCE	PROJECTION	Description:	
±3°		1.00mm Pitch wire to board connector	
GENERAL TOLERANCE	UNITS	mm	KLS P/N:
x.x ±0.30	SHEET SIZE	A4	L-KLS1-XF6-1.00-XX-RM
x.xx ±0.20	Draw:	Daniel	2020-11-11
x.xxx ±0.10	Check:	Daniel	2020-11-11



NingBo KLS ELECTRONIC CO.,L TD.