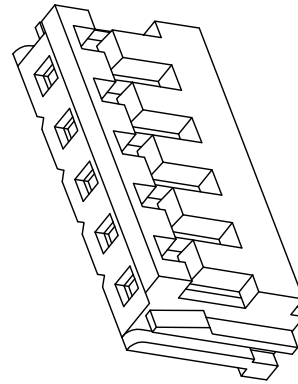
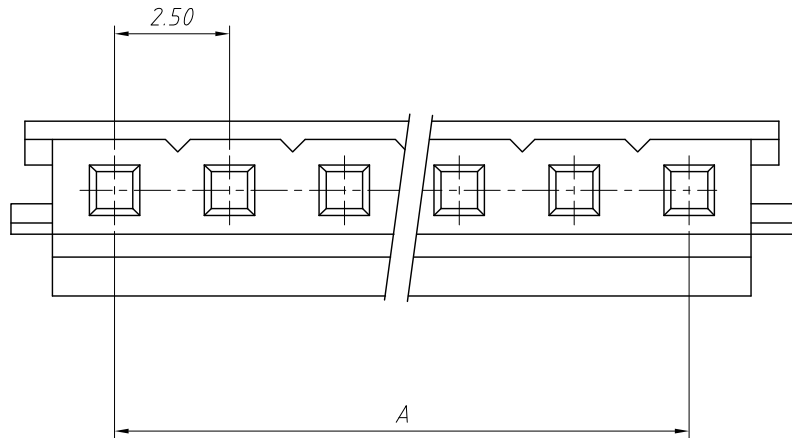


1 RoHS Compliance



Material:

Housing:PA66,UL 94V-0,White

Electrical Characteristics:

Rated Current:3.0AMP

Voltage rating:250V AC,DC

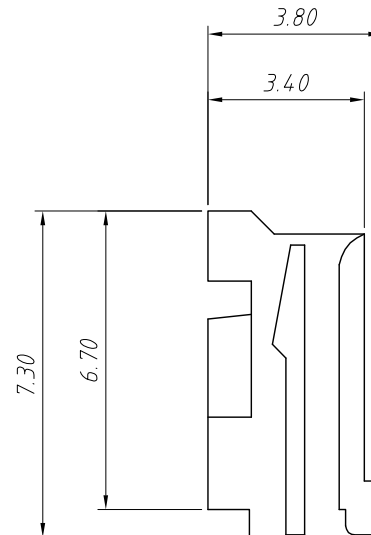
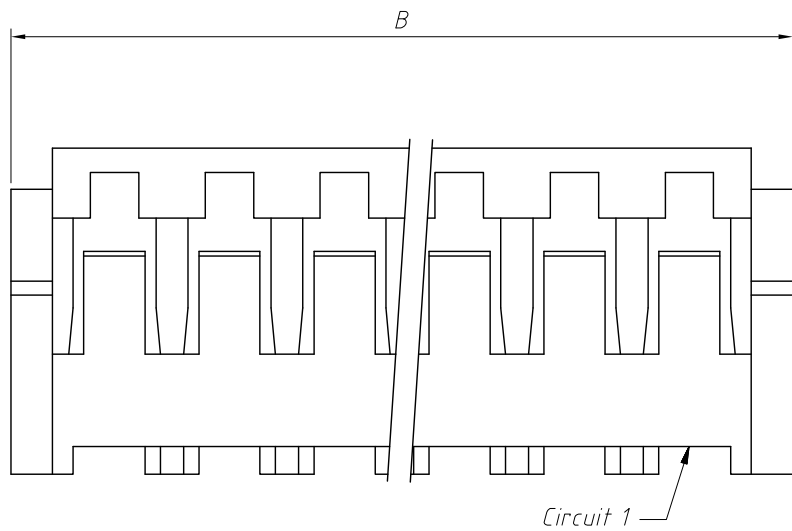
Temperature range:-25°C ~ + 85°C

Insulator Resistance:1000MΩ Min

Withstanding Voltage:800V AC/minute

Contact Resistance:10mΩ Max

Pin	Dimensions(mm)	
	A	B
02	2.50	7.00
03	5.00	9.50
04	7.50	12.00
05	10.00	14.50
06	12.50	17.00
07	15.00	19.50
08	17.50	22.00
09	20.00	24.50
10	22.50	27.00
11	25.00	29.50
12	27.50	32.00
13	30.00	34.50
14	32.50	37.00
15	35.00	39.50



Order Information:

L-KLS1-XL5-2.50-XX-H

L: RoHS

Pitch:2.50mm

XX-No.of 02 ~ 15 pins

Type:

T-Terminal H-Hosing

S-Straight male pin

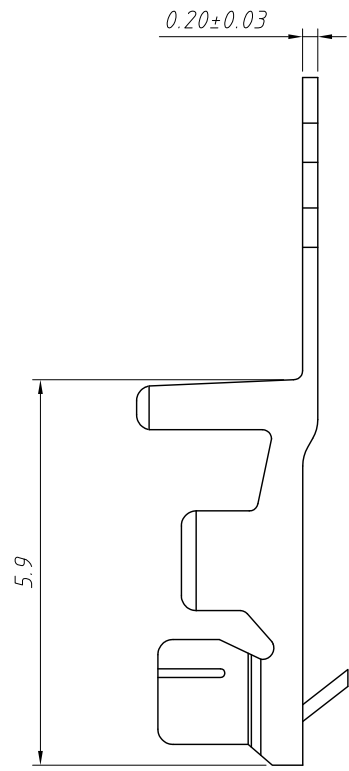
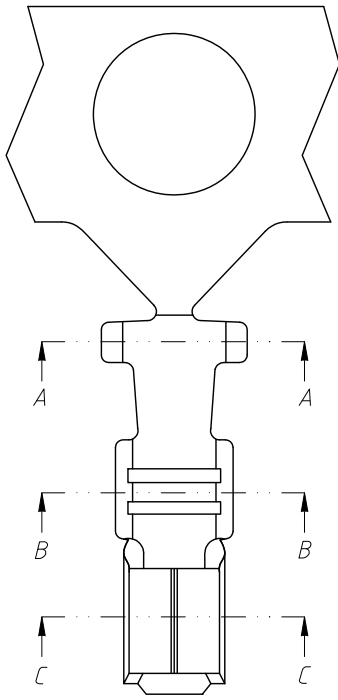
R / R1-Right angle male pin

ANGLE TOLERANCE	PROJECTION	Description:	2.50mm Pitch EH Type
±3°			Wire To Board Connector
GENERAL TOLERANCE	UNITS	mm	KLS P/N:
x.x ±0.30	SHEET SIZE	A4	L-KLS1-XL5-2.50-XX-H
x.xx ±0.20	Draw:	Daniel	2021-01-11
x.xxx ±0.10	Check:	Daniel	2021-01-11



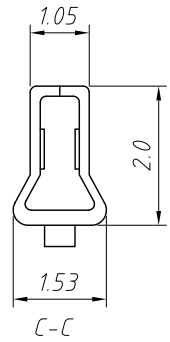
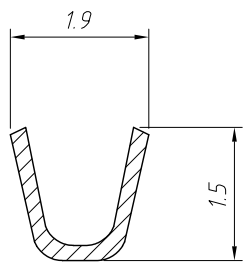
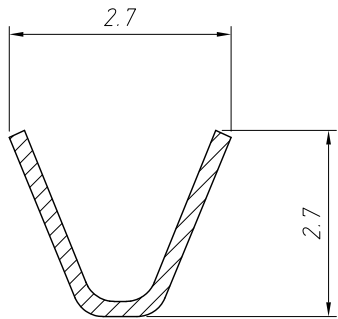
NingBo KLS ELECTRONIC CO.,L TD.

1
RoHS Compliance



Material:
 Terminal: Phosphor Bronze
 Plating: Tin plated
 Applicable wires: AWG #22~#24
 Insulation O.D.: 1.9mm
 Qty/reel: 10000 pcs

Electrical Characteristics:
 Rated Current: 3.0AMP
 Voltage rating: 250V AC, DC
 Temperature range: -25°C ~ +85°C
 Insulator Resistance: 1000MΩ Min
 Withstanding Voltage: 800V AC/minute
 Contact Resistance: 20mΩ Max

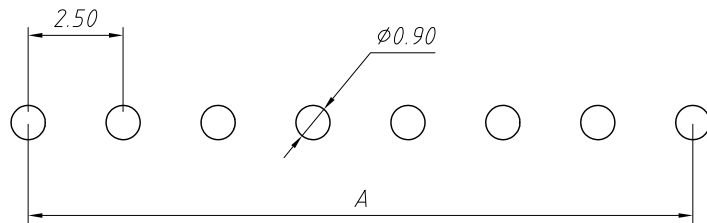
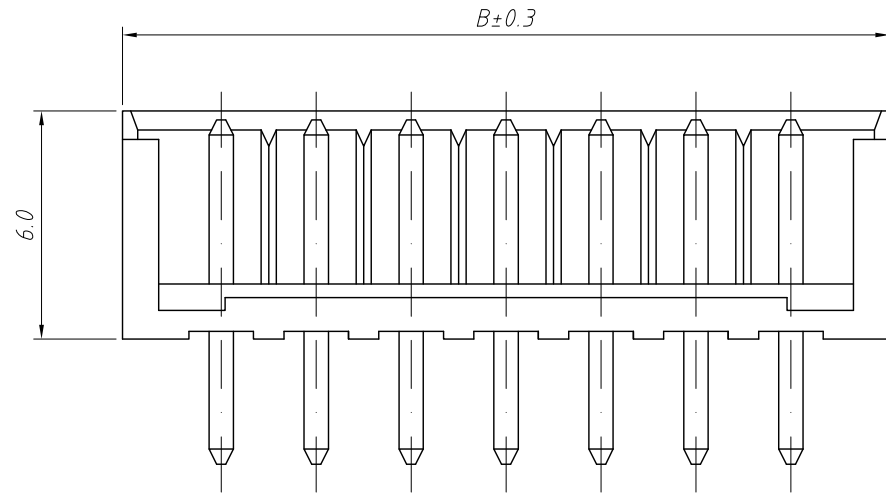
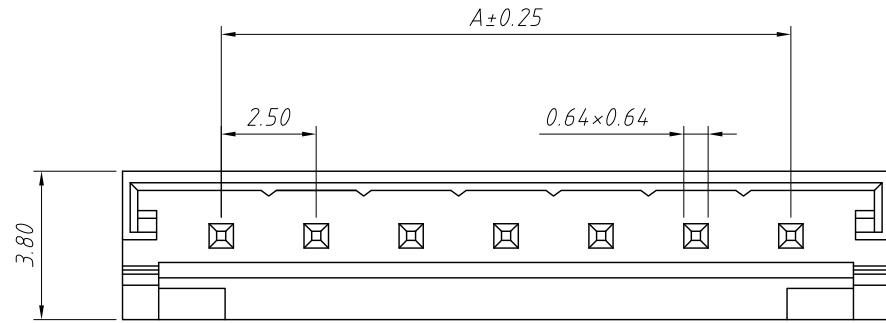


Order Information:
 L-KLS1-XL5-2.50-T

L: RoHS
 Pitch: 2.50mm
 Type:
 T-Terminal H-Hosing
 S-Straight male pin
 R / R1-Right angle male pin

ANGLE TOLERANCE	PROJECTION	Description:	2.50mm Pitch EH Type Wire To Board Connector
±3°			
GENERAL TOLERANCE	UNITS	mm	KLS P/N: L-KLS1-XL5-2.50-T
x.x ±0.30	SHEET SIZE	A4	NingBo KLS ELECTRONIC CO.,L TD.
x.xx ±0.20	Draw:	Daniel 2021-01-11	
x.xxx ±0.10	Check:	Daniel 2021-01-11	

1 RoHS Compliance

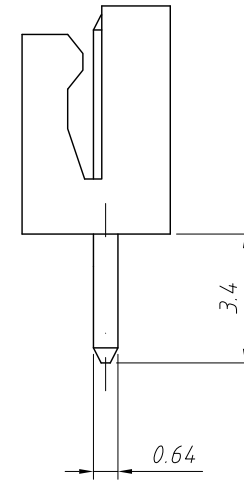


Recommended PCB Layout

Material:
Housing: PA66, UL94V-0, White
Contact: Brass
Plating: Tin plate

Electrical Characteristics:
Rated Current: 3.0AMP
Voltage rating: 250V AC, DC
Temperature range: -25°C ~ +85°C
Insulator Resistance: 1000MΩ Min
Withstanding Voltage: 800V AC/minute
Contact Resistance: 20mΩ Max

Pin	Dimensions (mm)	
	A	B
02	2.50	7.50
03	5.00	10.00
04	7.50	12.50
05	10.00	15.00
06	12.50	17.50
07	15.00	20.00
08	17.50	22.50
09	20.00	25.00
10	22.50	27.50
11	25.00	30.00
12	27.50	32.50
13	30.00	35.00
14	32.50	37.50
15	35.00	40.00
16	37.50	42.50



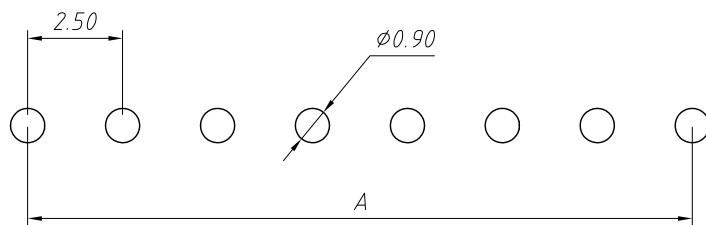
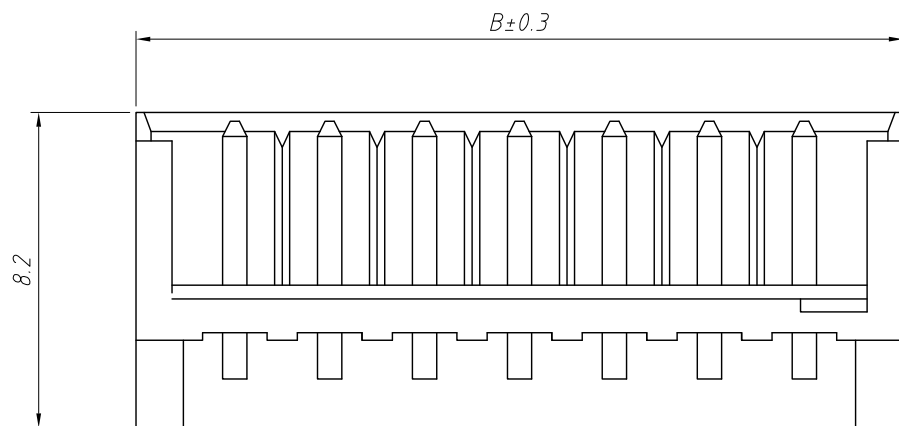
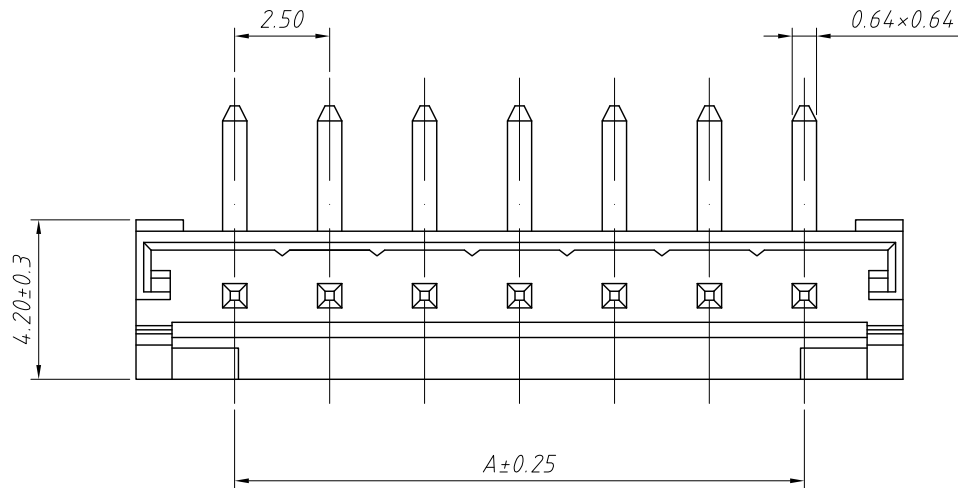
Order Information:
L-KLS1-XL5-2.50-XX-S
L: RoHS
Pitch: 2.50mm
XX-No. of 02~16 pins
Type:
T-Terminal H-Hosing
S-Straight male pin
R / R1-Right angle male pin

ANGLE TOLERANCE	PROJECTION	Description:
±3°		2.50mm Pitch EH Type Wire To Board Connector
GENERAL TOLERANCE	UNITS	mm
x.x ±0.30	SHEET SIZE	A4
x.xx ±0.20	Draw:	Daniel 2021-01-11
x.xxx ±0.10	Check:	Daniel 2021-01-11



NingBo KLS ELECTRONIC CO.,L TD.

1 RoHS Compliance

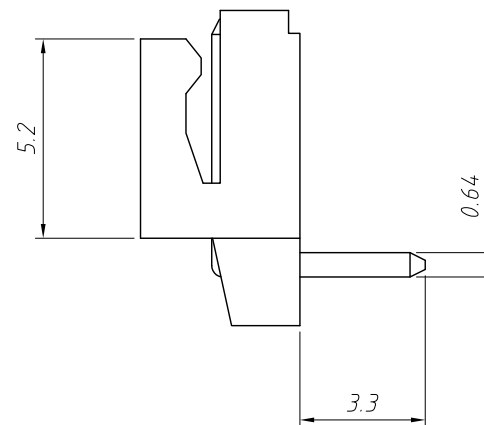


Recommended PCB Layout

Material:
 Housing: PA66, UL 94 V-0, White
 Contact: Brass
 Plating: Tin plate

Electrical Characteristics:
 Rated Current: 3.0AMP
 Voltage rating: 250V AC, DC
 Temperature range: -25°C ~ +85°C
 Insulator Resistance: 1000MΩ Min
 Withstanding Voltage: 800V AC/minute
 Contact Resistance: 20mΩ Max

Pin	Dimensions (mm)	
	A	B
02	2.50	7.50
03	5.00	10.00
04	7.50	12.50
05	10.00	15.00
06	12.50	17.50
07	15.00	20.00
08	17.50	22.50
09	20.00	25.00
10	22.50	27.50
11	25.00	30.00
12	27.50	32.50
13	30.00	35.00
14	32.50	37.50
15	35.00	40.00



Order Information:

L-KLS1-XL5-2.50-XX-R

L: RoHS

Pitch: 2.50mm

XX-No. of 02 ~ 15 pins

Type:

T-Terminal H-Hosing

S-Straight male pin

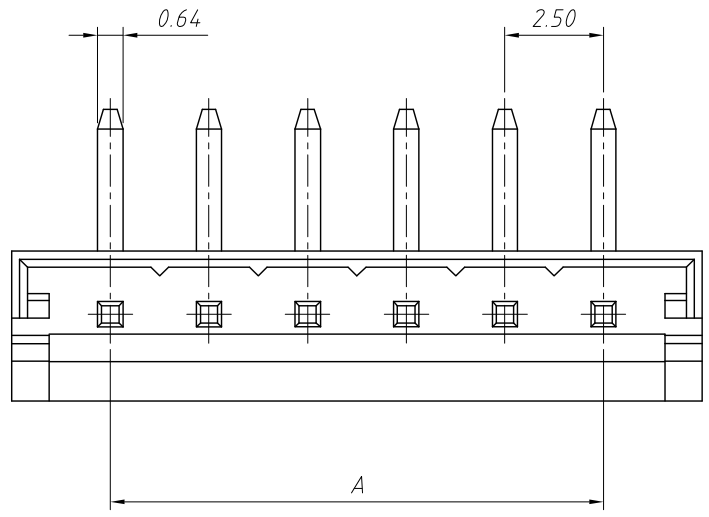
R / R1-Right angle male pin

ANGLE TOLERANCE	PROJECTION	Description:
±3°		2.50mm Pitch EH Type Wire To Board Connector
GENERAL TOLERANCE	UNITS	mm
x.x ±0.30	SHEET SIZE	A4
x.xx ±0.20	Draw:	Daniel 2021-01-11
x.xxx ±0.10	Check:	Daniel 2021-01-11



NingBo KLS ELECTRONIC CO.,L TD.

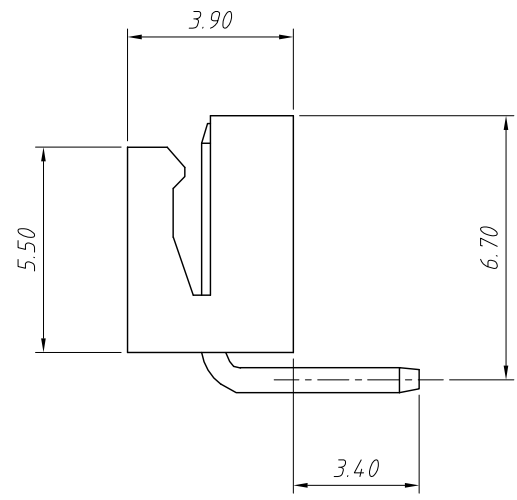
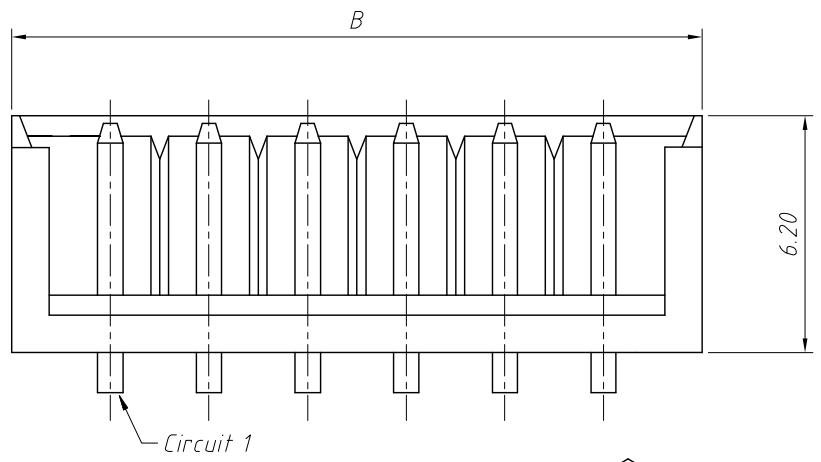
1
RoHS Compliance



Material:
 Housing: PA66, UL 94 V-0, White
 Contact: Brass
 Plating: Tin plate

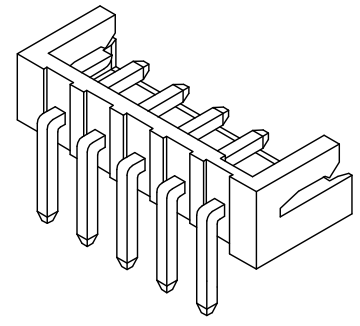
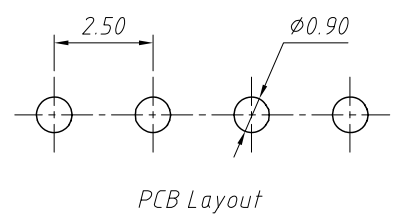
Electrical Characteristics:
 Rated Current: 3.0AMP
 Voltage rating: 250V AC, DC
 Temperature range: -25°C ~ +85°C
 Insulator Resistance: 1000MΩ Min
 Withstanding Voltage: 800V AC/minute
 Contact Resistance: 20mΩ Max

Pin	Dimensions (mm)	
	A	B
02	2.50	7.50
03	5.00	10.00
04	7.50	12.50
05	10.00	15.00
06	12.50	17.50
07	15.00	20.00
08	17.50	22.50
09	20.00	25.00
10	22.50	27.50
11	25.00	30.00
12	27.50	32.50
13	30.00	35.00
14	32.50	37.50
15	35.00	40.00



Order Information:
 L-KLS1-XL5-2.50-XX-R1

L: RoHS
 Pitch: 2.50mm
 XX-No. of 02 ~ 15 pins
 Type:
 T-Terminal H-Hosing
 S-Straight male pin
 R / R1-Right angle male pin



ANGLE TOLERANCE	PROJECTION	Description:	
±3°		2.50mm Pitch EH Type Wire To Board Connector	
GENERAL TOLERANCE	UNITS	mm	KLS P/N: L-KLS1-XL5-2.50-XX-R1
x.x ±0.30	SHEET SIZE	A4	 NingBo KLS ELECTRONIC CO.,L TD.
x.xx ±0.20	Draw:	Daniel 2021-01-11	
x.xxx ±0.10	Check:	Daniel 2021-01-11	