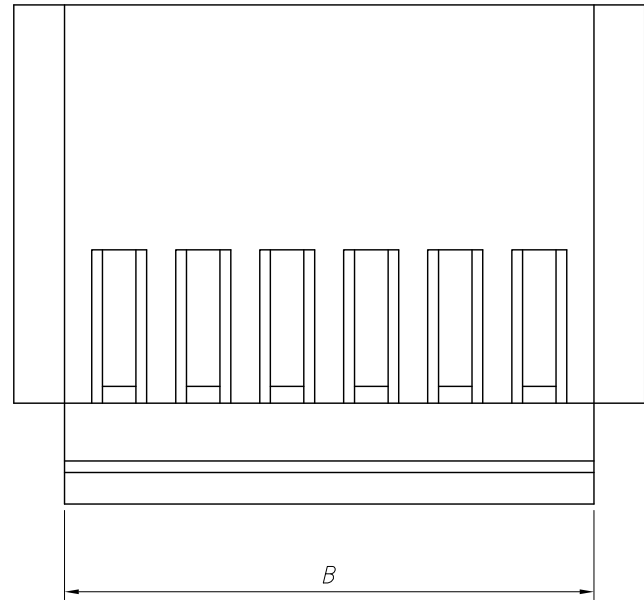
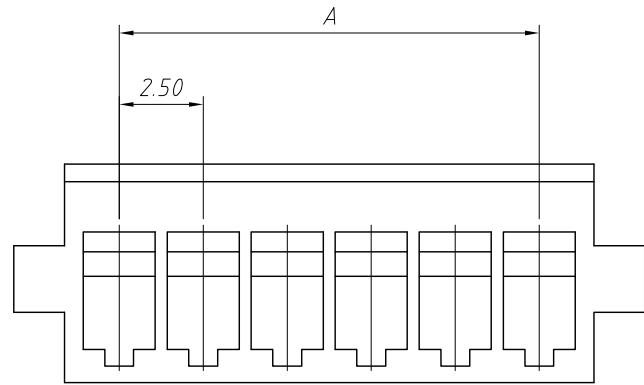


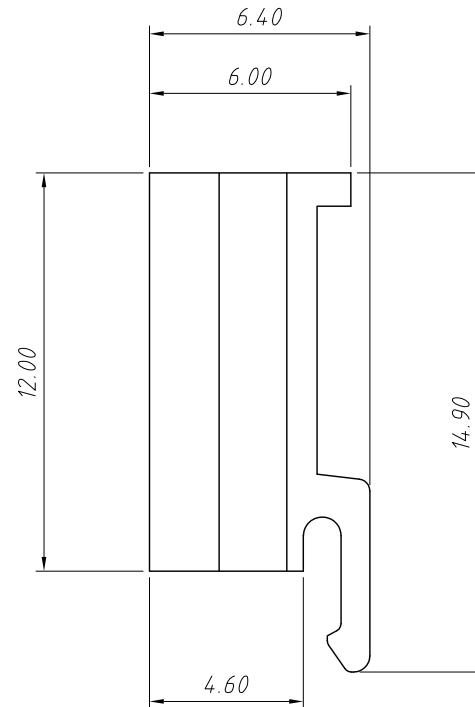
1
RoHS Compliance



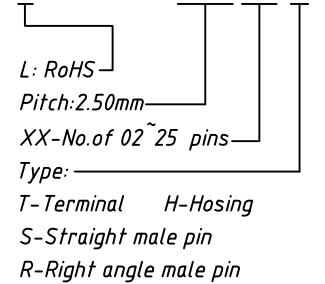
Material:
Housing:PA66,UL 94 V-0,Natrual

Electrical Characteristics:
Rated Current:3.0AMP
Voltage rating:250V AC,DC
Temperature range:-25°C ~ + 85°C
Insulator Resistance:1000M Ω Min
Withstanding Voltage:1000V AC/minute
Contact Resistance:15m Ω Max

Pin	Dimensions(mm)	
	A	B
02	2.50	5.80
03	5.00	8.30
04	7.50	10.80
05	10.00	13.30
06	12.50	15.80
07	15.00	18.30
08	17.50	20.80
09	20.00	23.30
10	22.50	25.80
11	25.00	28.30
12	27.50	30.80
13	30.00	33.30
14	32.50	35.80
15	35.00	38.30
16	37.50	40.80
17	40.00	43.30
18	42.50	45.80
19	45.00	48.30
25	60.00	63.30



Order Information:
L-KLS1-XL7-2.50-XX-H

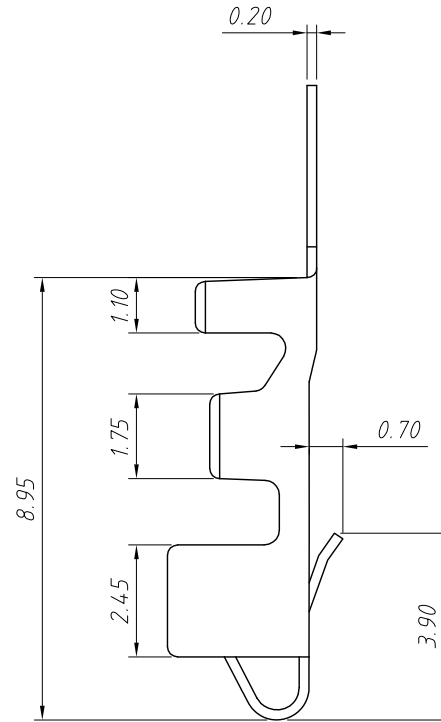
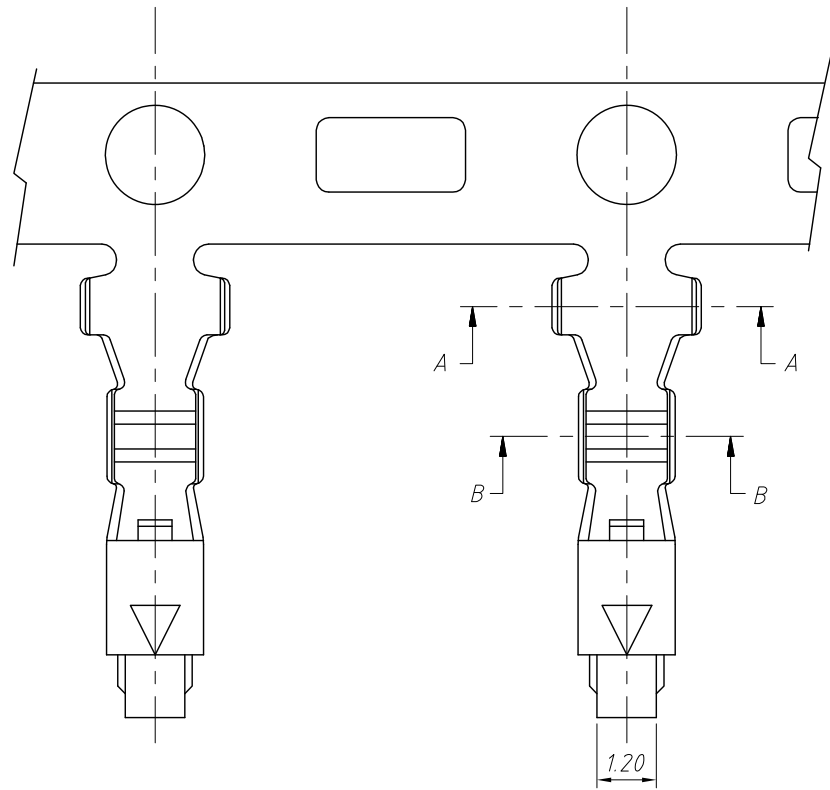


ANGLE TOLERANCE	PROJECTION	Description:	2.50mm Pitch NH Type
$\pm 3^\circ$			Wire To Board Connector
GENERAL TOLERANCE	UNITS	mm	KLS P/N:
x.x ± 0.30	SHEET SIZE	A4	L-KLS1-XL7-2.50-XX-H
x.xx ± 0.20	Draw:	Daniel	2021-01-11
x.xxx ± 0.10	Check:	Daniel	2021-01-11



NingBo KLS ELECTRONIC CO.,LTD.

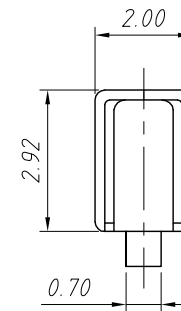
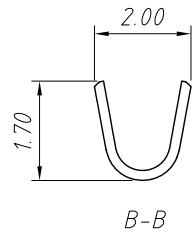
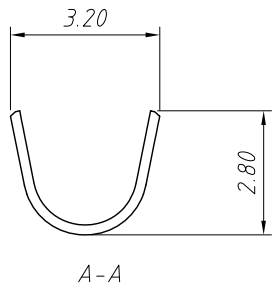
1 RoHS Compliance



Material:
 Terminal: Phosphor Bronze
 Plating: Tin plated
 Applicable wires: AWG #22 ~ # 28
 Insulation O.D.: 1.8mm
 Qty/reel: 5000 pcs

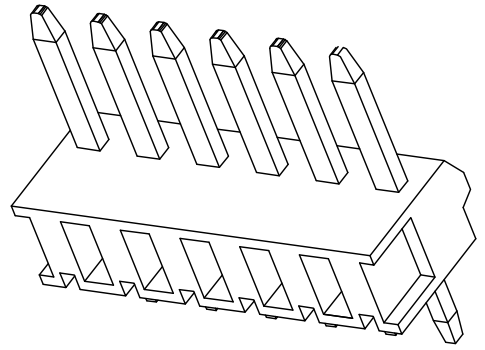
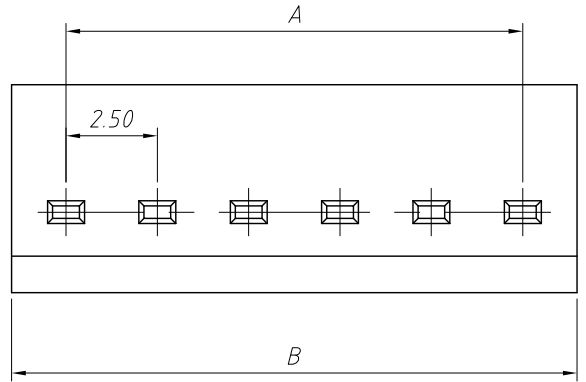
Electrical Characteristics:
 Rated Current: 3.0AMP
 Voltage rating: 250V AC, DC
 Temperature range: -25°C ~ + 85°C
 Insulator Resistance: 1000MΩ Min
 Withstanding Voltage: 1000V AC/minute
 Contact Resistance: 15mΩ Max

Order Information:
 L-KLS1-XL7-2.50-T
 L: RoHS
 Pitch: 2.50mm
 Type:
 T-Terminal H-Hosing
 S-Straight male pin
 R-Right angle male pin



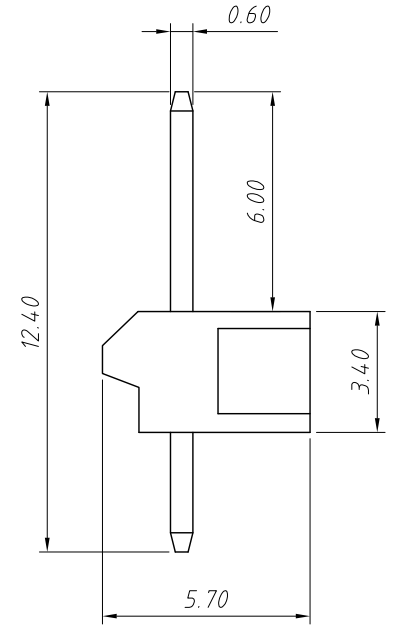
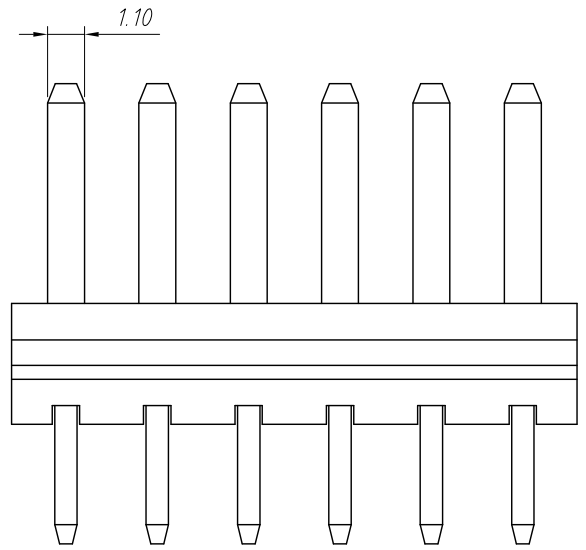
ANGLE TOLERANCE	PROJECTION	Description:	2.50mm Pitch NH Type Wire To Board Connector
±3°			
GENERAL TOLERANCE	UNITS	mm	KLS P/N: L-KLS1-XL7-2.50-T
x.x ±0.30	SHEET SIZE	A4	NingBo KLS ELECTRONIC CO.,L TD.
x.xx ±0.20	Draw:	Daniel 2021-01-11	
x.xxx ±0.10	Check:	Daniel 2021-01-11	

1
RoHS Compliance



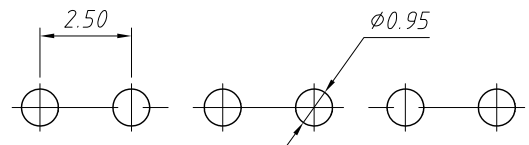
Material:
Housing:PBT,UL94V-0,White
Contact:Brass
Plating:Tin plate

Electrical Characteristics:
Rated Current:3.0AMP
Voltage rating:250V AC,DC
Temperature range:-25°C ~ + 85°C
Insulator Resistance:1000M Ω Min
Withstanding Voltage:1000V AC/minute
Contact Resistance:15m Ω Max



Pin	Dimensions(mm)	
	A	B
02	2.50	5.00
03	5.00	7.50
04	7.50	10.00
05	10.00	12.50
06	12.50	15.00
07	15.00	17.50
08	17.50	20.00
09	20.00	22.50
10	22.50	25.00
11	25.00	27.50
12	27.50	30.00
13	30.00	32.50
14	32.50	35.00
15	35.00	37.50
16	37.50	40.00
17	40.00	42.50
18	42.50	45.00
19	45.00	47.50
25	60.00	62.50

Order Information:
L-KLS1-XL7-2.50-XX-S
L: RoHS
Pitch:2.50mm
XX-No. of 02~16 pins
Type:
T-Terminal H-Hosing
S-Straight male pin
R-Right angle male pin



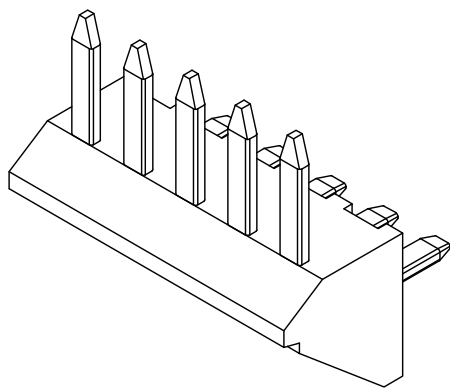
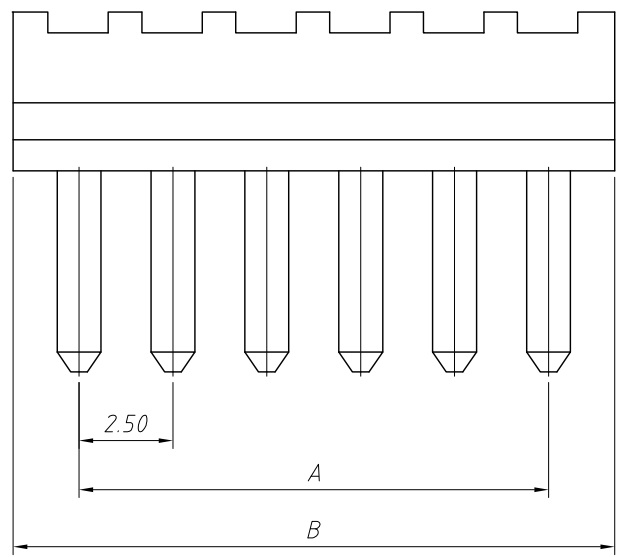
Recommended PCB Layout

ANGLE TOLERANCE	PROJECTION	Description:	2.50mm Pitch NH Type
$\pm 3^\circ$			Wire To Board Connector
GENERAL TOLERANCE	UNITS	mm	KLS P/N:
x.x ± 0.30	SHEET SIZE	A4	L-KLS1-XL7-2.50-XX-S
x.xx ± 0.20	Draw:	Daniel	2021-01-11
x.xxx ± 0.10	Check:	Daniel	2021-01-11



NingBo KLS ELECTRONIC CO.,L TD.

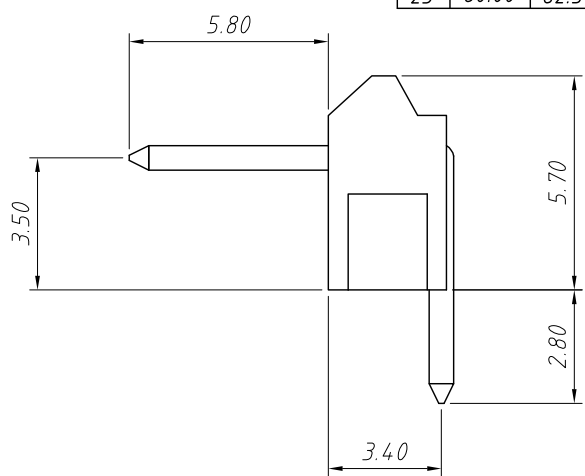
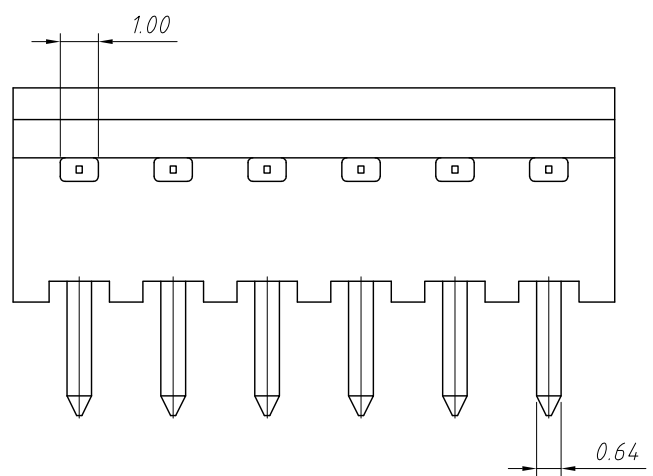
1
RoHS Compliance



Pin	Dimensions(mm)	
	A	B
02	2.50	5.00
03	5.00	7.50
04	7.50	10.00
05	10.00	12.50
06	12.50	15.00
07	15.00	17.50
08	17.50	20.00
09	20.00	22.50
10	22.50	25.00
11	25.00	27.50
12	27.50	30.00
13	30.00	32.50
14	32.50	35.00
15	35.00	37.50
16	37.50	40.00
17	40.00	42.50
18	42.50	45.00
19	45.00	47.50
25	60.00	62.50

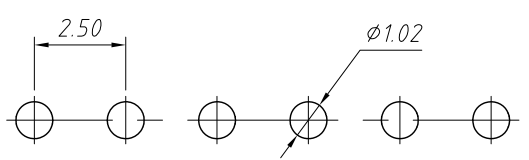
Material:
Housing:PBT,UL94 V-0,White
Contact:Brass
Plating: Tin plate

Electrical Characteristics:
Rated Current:3.0AMP
Voltage rating:250V AC,DC
Temperature range:-25°C ~ + 85°C
Insulator Resistance:1000M Ω Min
Withstanding Voltage:1000V AC/minute
Contact Resistance:15m Ω Max



Order Information:
L-KLS1-XL7-2.50-XX-R

L: RoHS
Pitch:2.50mm
XX-No. of 02 ~ 16 pins
Type:
T-Terminal H-Hosing
S-Straight male pin
R-Right angle male pin



Recommended PCB Layout

ANGLE TOLERANCE	PROJECTION	Description:
$\pm 3^\circ$		2.50mm Pitch NH Type Wire To Board Connector
GENERAL TOLERANCE	UNITS	mm
x.x ± 0.30	SHEET SIZE	A4
x.xx ± 0.20	Draw:	Daniel 2021-01-11
x.xxx ± 0.10	Check:	Daniel 2021-01-11
		KLS NingBo KLS ELECTRONIC CO.,L TD.