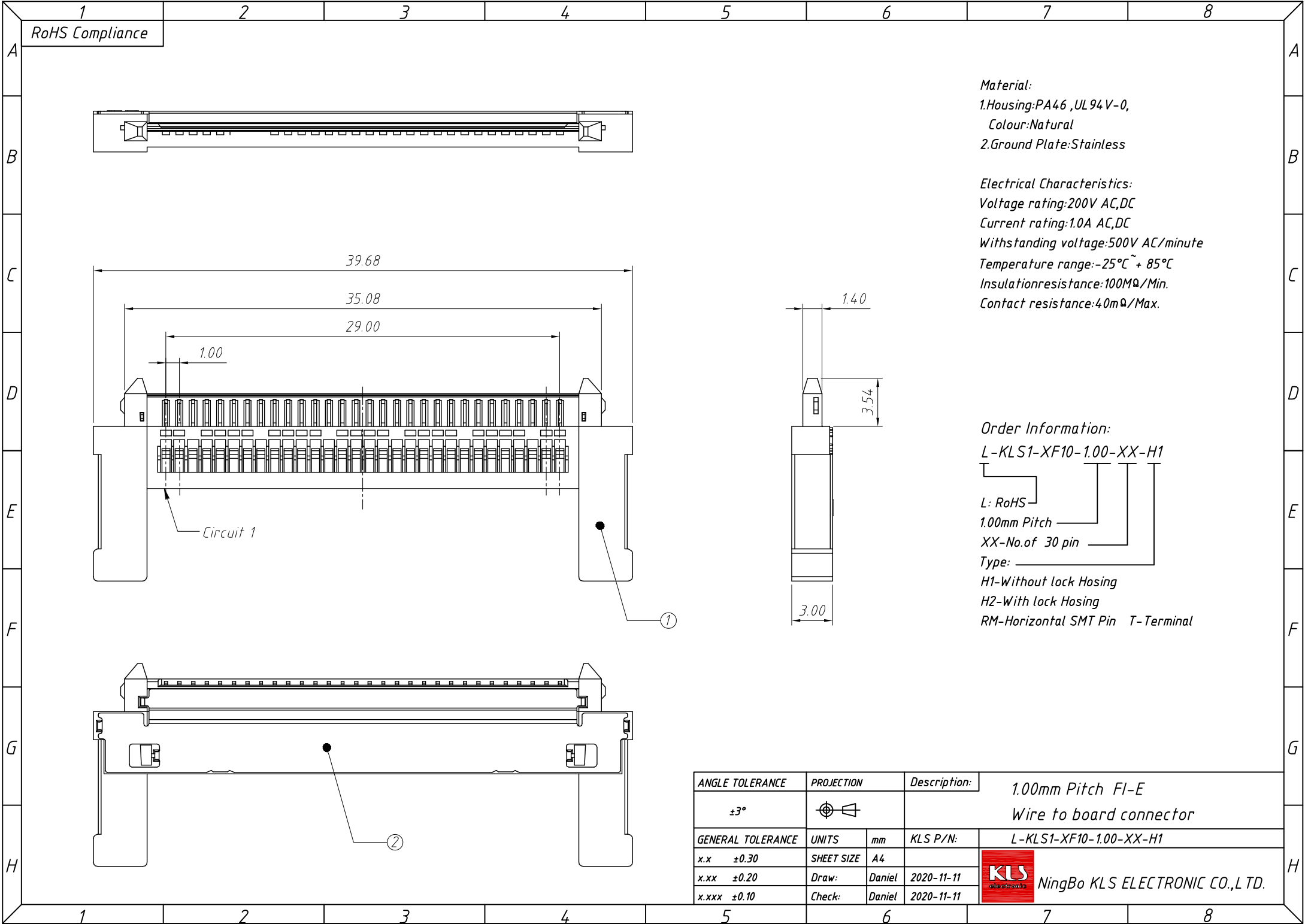


1
RoHS Compliance

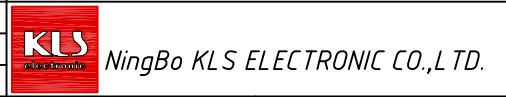


Material:
 1.Housing:PA46 ,UL 94V-0,
 Colour:Natural
 2.Ground Plate:Stainless

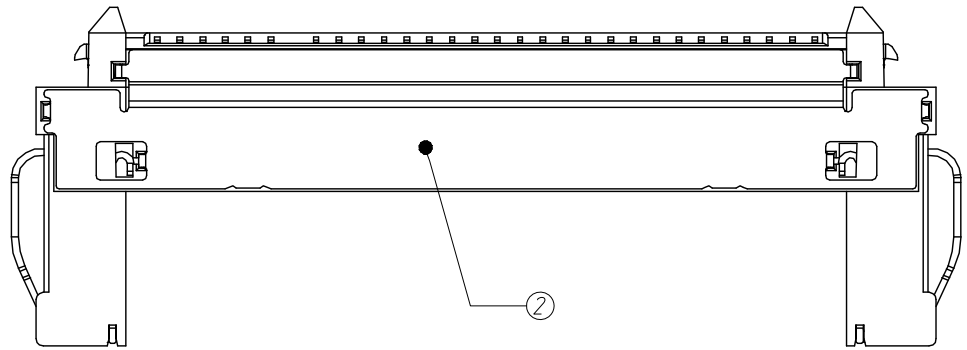
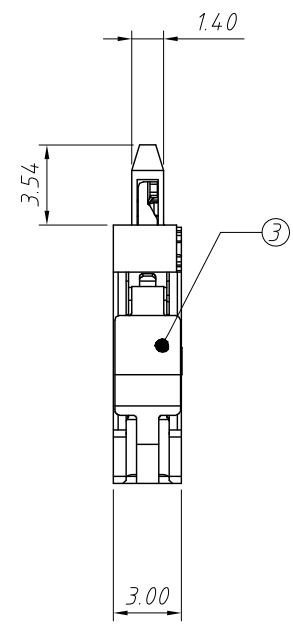
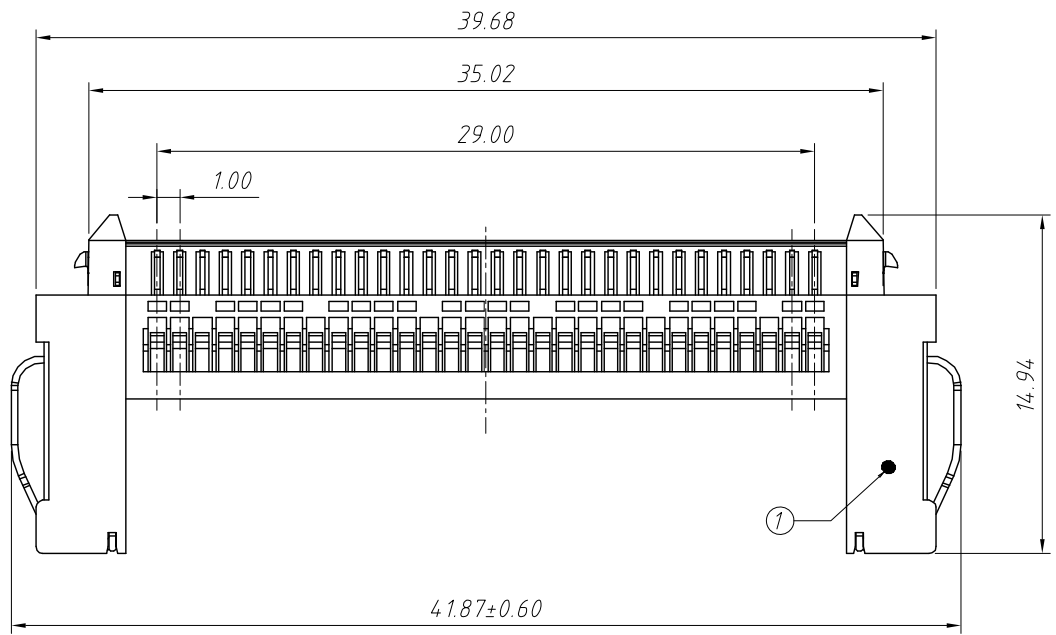
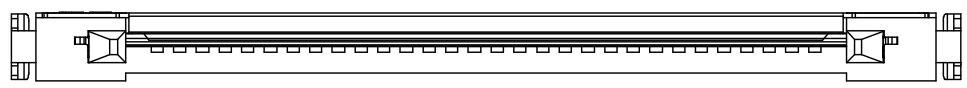
Electrical Characteristics:
 Voltage rating:200V AC,DC
 Current rating:1.0A AC,DC
 Withstanding voltage:500V AC/minute
 Temperature range:-25°C ~ + 85°C
 Insulation resistance:100MΩ/Min.
 Contact resistance:40mΩ/Max.

Order Information:
 L-KLS1-XF10-1.00-XX-H1
 L: RoHS
 1.00mm Pitch
 XX-No.of 30 pin
 Type:
 H1-Without lock Hosing
 H2-With lock Hosing
 RM-Horizontal SMT Pin T-Terminal

ANGLE TOLERANCE	PROJECTION	Description:	1.00mm Pitch FI-E Wire to board connector
±3°			
GENERAL TOLERANCE	UNITS	mm	KLS P/N:
x.x ±0.30	SHEET SIZE	A4	L-KLS1-XF10-1.00-XX-H1
x.xx ±0.20	Draw:	Daniel	2020-11-11
x.xxx ±0.10	Check:	Daniel	2020-11-11



1
RoHS Compliance



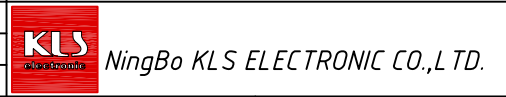
Material:
 1.Insulator: PA46 ,UL94V-0,
 Colour:Natural
 2.Ground plate:Stainless
 3.Lock lever:Stainless

Electrical Characteristics:
 Voltage rating:200V AC,DC
 Current rating:1.0A AC,DC
 Withstanding voltage:500V AC/minute
 Temperature range:-25°C ~ + 85°C
 Insulationresistance:100MΩ/Min.
 Contact resistance:40mΩ/Max.

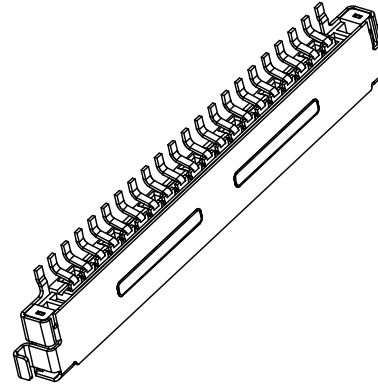
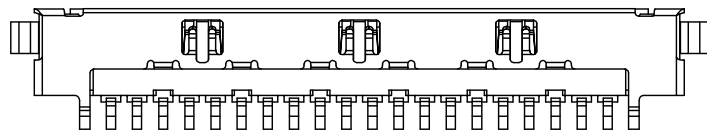
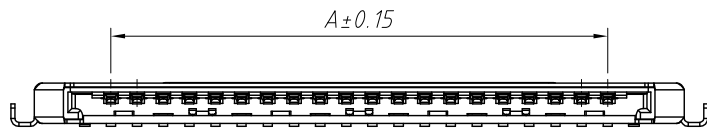
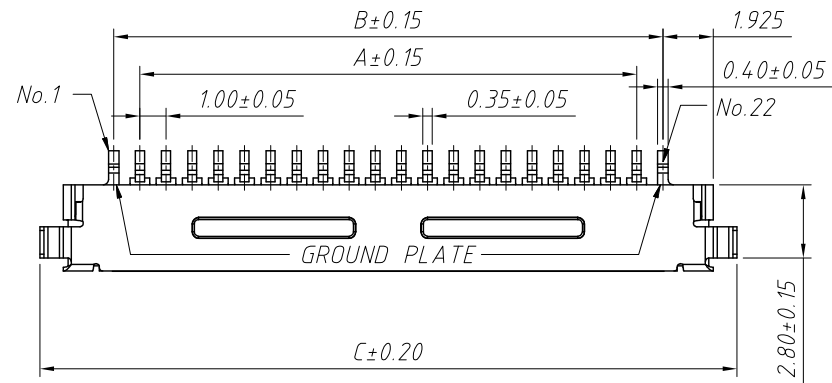
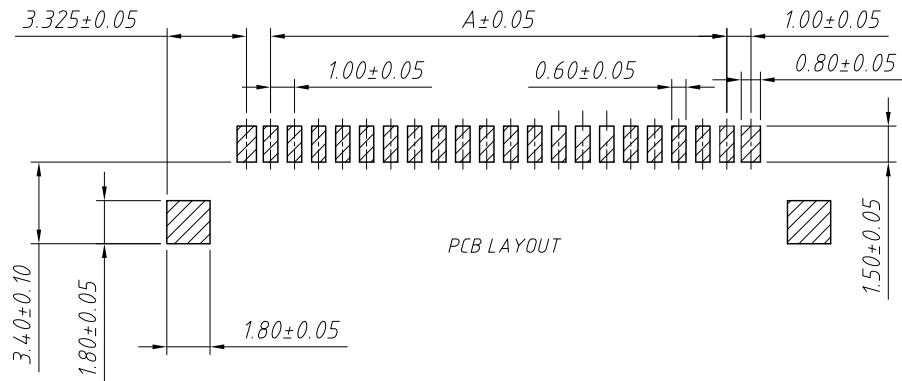
Order Information:
 L-KLS1-XF10-1.00-XX-H2

L: RoHS
 1.00mm Pitch
 XX-No.of 30 pin
 Type: _____
 H1-Without lock Hosing
 H2-With lock Hosing
 RM-Horizontal SMT Pin T-Terminal

ANGLE TOLERANCE	PROJECTION	Description:	1.00mm Pitch FI-E
±3°			Wire to board connector
GENERAL TOLERANCE	UNITS	mm	KLS P/N:
x.x ±0.30	SHEET SIZE	A4	L-KLS1-XF10-1.00-XX-H2
x.xx ±0.20	Draw:	Daniel	2020-11-11
x.xxx ±0.10	Check:	Daniel	2020-11-11



1 RoHS Compliance

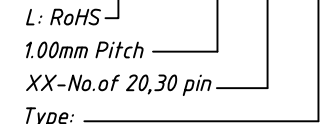


Material:
 Wafer:LCP,UL94V-0
 Color:Natural
 Pin:Phosphor Bronze,Gold-plated
 Shell:Phosphor Bronze,Tin-plated

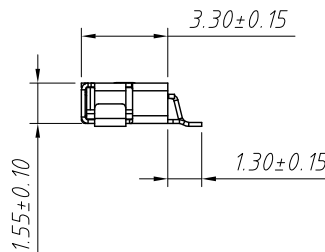
Electrical Characteristics:
 Voltage rating:200V AC,DC
 Current rating:1.0A AC,DC
 Withstanding voltage:500V AC/minute
 Temperature range:-25°C ~ +85°C
 Insulation resistance:100MΩ/Min.
 Contact resistance:40mΩ/Max.

Order Information:

L-KLS1-XF10-1.00-XX-RM



Type: _____
 H1-Without lock Hosing
 H2-With lock Hosing
 RM-Horizontal SMT Pin T-Terminal



Poles	Dimensions(mm)		
	A	B	C
20	19.00	21.00	26.65
30	29.00	31.00	36.65

ANGLE TOLERANCE	PROJECTION	Description:	1.00mm Pitch FI-E
±3°			Wire to board connector
GENERAL TOLERANCE	UNITS	mm	KLS P/N:
x.x ±0.30	SHEET SIZE	A4	L-KLS1-XF10-1.00-XX-RM
x.xx ±0.20	Draw:	Daniel	2020-11-11
x.xxx ±0.10	Check:	Daniel	2020-11-11



NingBo KLS ELECTRONIC CO.,LTD.