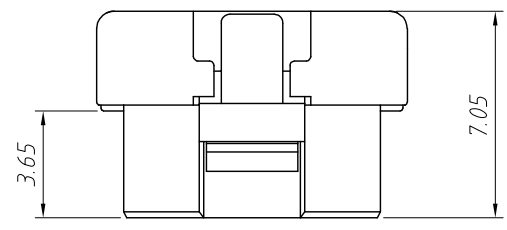
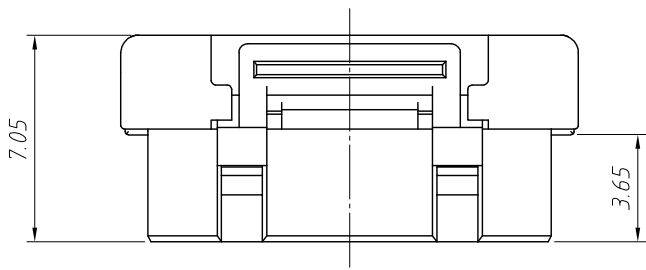
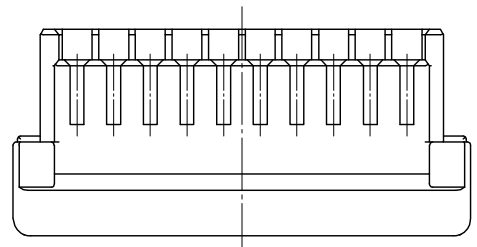
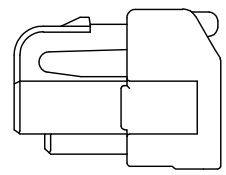
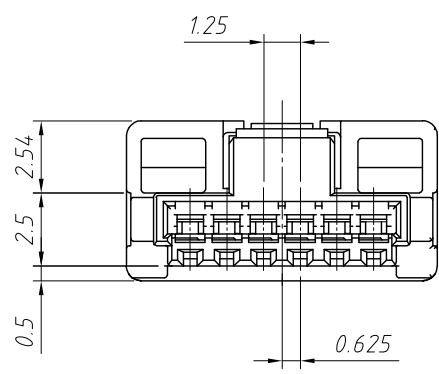
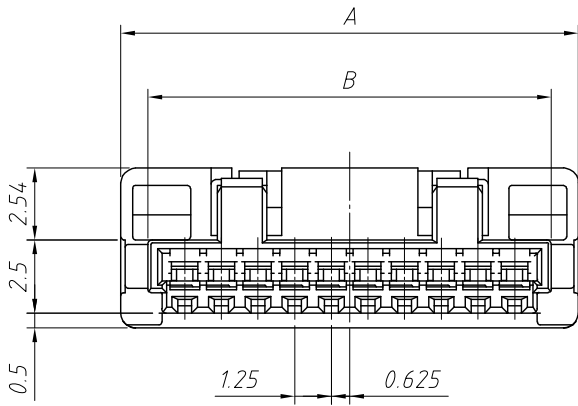


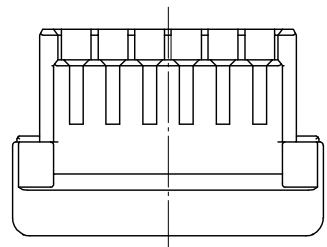
1
RoHS Compliance



Pin	Dimensions(mm)	
	A	B
02	5.60	3.75
03	6.85	5.00
04	8.10	6.25
05	9.35	7.50
06	10.60	8.75
07	11.85	10.00
08	13.10	11.25
09	14.35	12.50
10	15.60	13.75
11	16.85	15.00
12	18.10	16.25
13	19.35	17.50
14	20.60	18.75
15	21.85	20.00



8-15 PIN



02-07 PIN

Material:
Housing: PA66, UL 94V-0
Color: Natural
Electrical Characteristics:
Current rating: 1.0A AC, DC
Voltage rating: 50V AC, DC
Temperature range: -25°C ~ +85°C
Insulation resistance: 100MΩ/Min.
Withstanding voltage: 500V AC/minute
Contact resistance: 20mΩ/Max.

Order Information:
L-KLS1-XL9-1.25-XX-H
L: RoHS
Pitch: 1.25mm
XX-No. of 02~15 pins
Type:
H-Hosing T-Terminal
VM-Vertical SMT Pin
RM-Horizontal SMT Pin

ANGLE TOLERANCE	PROJECTION	Description:	1.25mm Pitch 502380 502382 502386, Wire to board connector
±3°			
GENERAL TOLERANCE	UNITS	mm	KLS P/N: L-KLS1-XL9-1.25-XX-H
x.x ±0.30	SHEET SIZE	A4	
x.xx ±0.20	Draw:	Daniel 2020-11-11	
x.xxx ±0.10	Check:	Daniel 2020-11-11	

NingBo KLS ELECTRONIC CO.,LTD.

1
RoHS Compliance

2

3

4

5

6

7

8

A

B

C

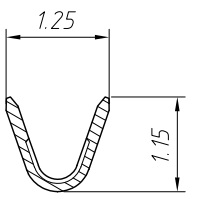
D

E

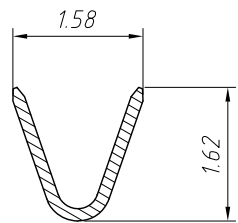
F

G

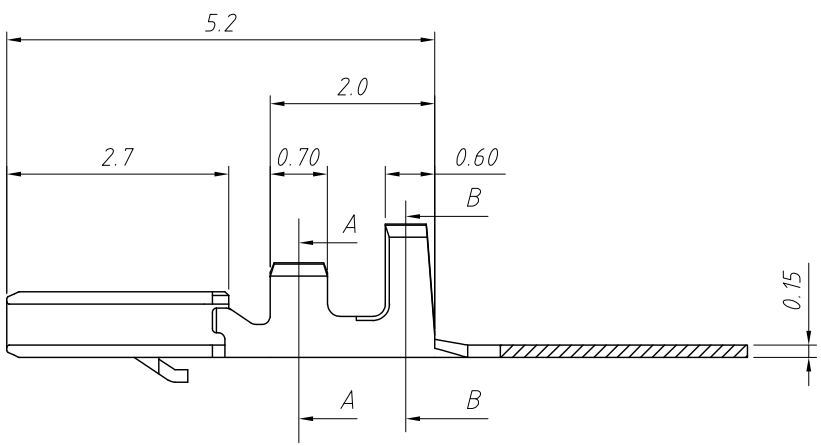
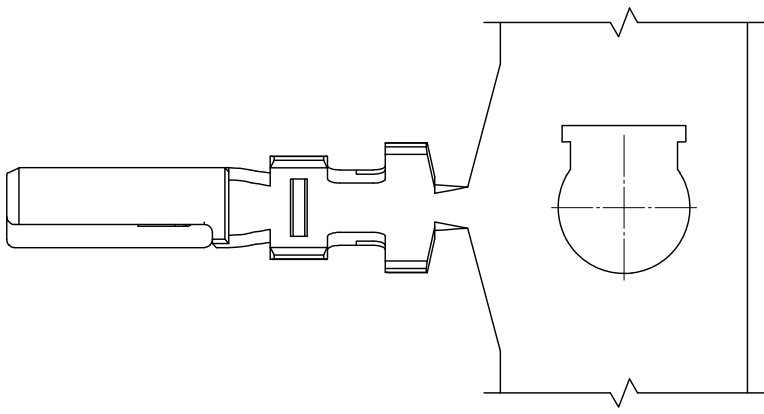
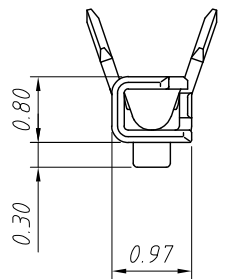
H



A-A



B-B



Material:
Terminal: Phosphor Bronze
Plating: Tin plated
Applicable wires: AWG #26 ~ #28
Insulation O.D.: 0.9mm Max
Qty/reel: 15000 pcs

Electrical Characteristics:
Current rating: 1.0A AC,DC
Voltage rating: 50V AC,DC
Temperature range: -25°C ~ +85°C
Insulation resistance: 100MΩ/Min.
Withstanding voltage: 500V AC/minute
Contact resistance: 20mΩ/Max.

Order Information:
L-KLS1-XL9-1.25-T

L: RoHS
Pitch: 1.25mm
Type: _____
H-Hosing T-Terminal
VM-Vertical SMT Pin
RM-Horizontal SMT Pin

ANGLE TOLERANCE	PROJECTION	Description:	1.25mm Pitch 502380 502382
±3°			502386, Wire to board connector
GENERAL TOLERANCE	UNITS	mm	KLS P/N: L-KLS1-XL9-1.25-T
x.x ±0.30	SHEET SIZE	A4	NingBo KLS ELECTRONIC CO.,L TD.
x.xx ±0.20	Draw:	Daniel 2020-11-11	
x.xxx ±0.10	Check:	Daniel 2020-11-11	

1

2

3

4

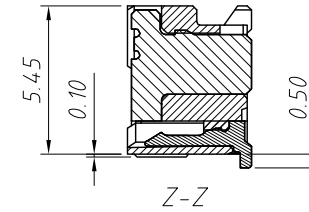
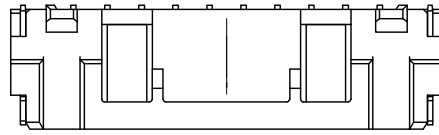
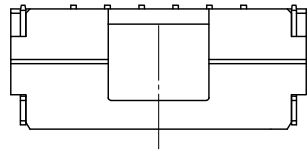
5

6

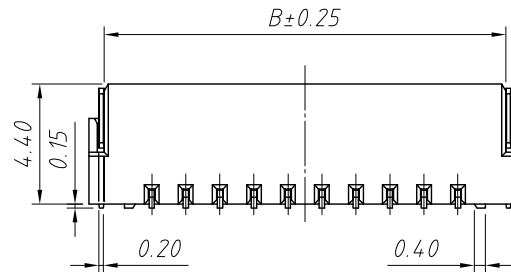
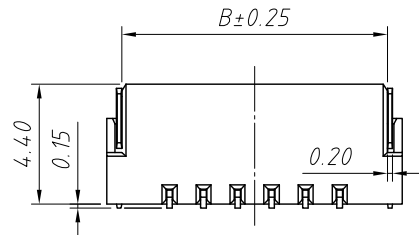
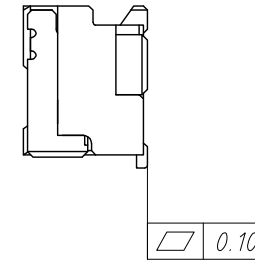
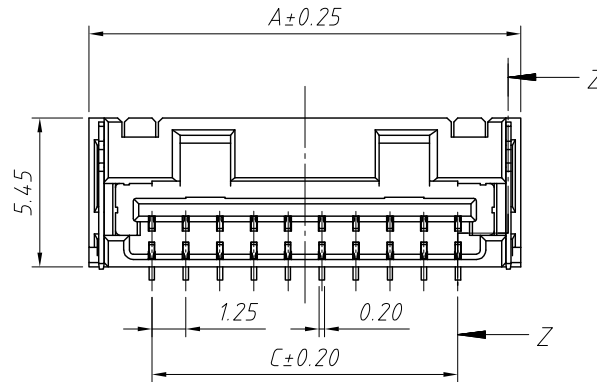
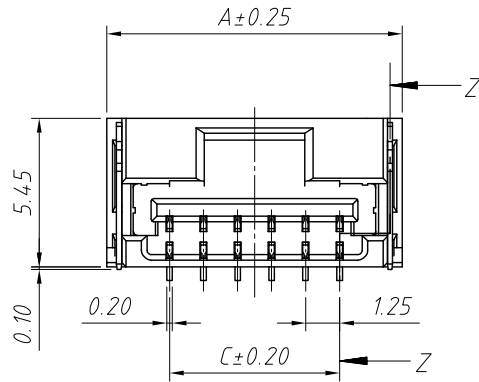
7

8

RoHS Compliance



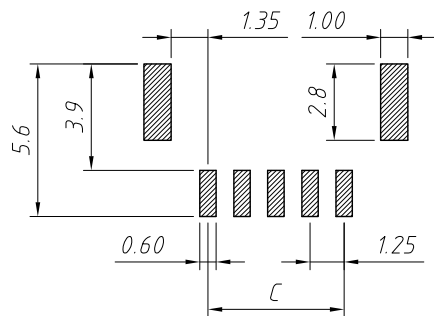
Pin	Dimensions(mm)		
	A	B	C
02	5.85	4.75	1.25
03	7.10	6.00	2.50
04	8.35	7.25	3.75
05	9.60	8.50	5.00
06	10.85	9.75	15.70
07	12.10	11.00	6.25
08	13.35	12.25	7.50
09	14.60	13.50	8.75
10	15.85	14.75	10.00
11	17.10	16.00	11.25
12	18.35	17.25	13.75
13	19.60	18.50	15.00
14	20.85	19.75	16.25
15	21.10	21.00	17.50



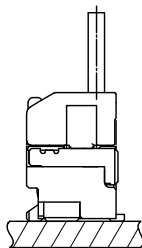
Material:
 Wafer:LCP,UL94V-0
 Color:Natural
 Pin:Phosphor Bronze,Tin-plated
 Solder Tabs:Brass,Tin-plated

Electrical Characteristics:
 Current rating:1.0A AC,DC
 Voltage rating:50V AC,DC
 Temperature range:-25°C ~ + 85°C
 Insulation resistance:100MΩ/Min.
 Withstanding voltage:500V AC/minute
 Contact resistance:20mΩ/Max.

Order Information:
 L-KLS1-XL9-1.25-XX-VM
 L: RoHS
 Pitch:1.25mm
 XX-No. of 02~15 pins
 Type:
 H-Hosing T-Terminal
 VM-Vertical SMT Pin
 RM-Horizontal SMT Pin



Recommended PCB Layout
 General Tolerance±0.05



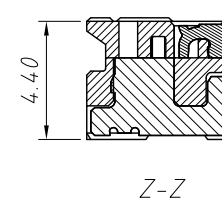
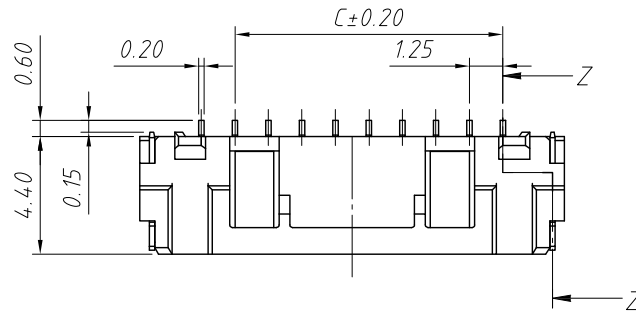
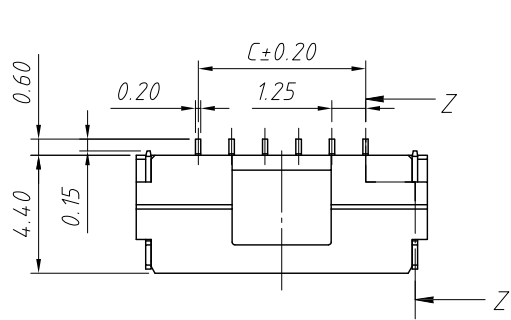
Mated Connectors

ANGLE TOLERANCE	PROJECTION	Description:	1.25mm Pitch 502380 502382
±3°			502386, Wire to board connector
GENERAL TOLERANCE	UNITS	mm	KLS P/N:
x.x ±0.30	SHEET SIZE	A4	L-KLS1-XL9-1.25-XX-VM
x.xx ±0.20	Draw:	Daniel	2020-11-11
x.xxx ±0.10	Check:	Daniel	2020-11-11

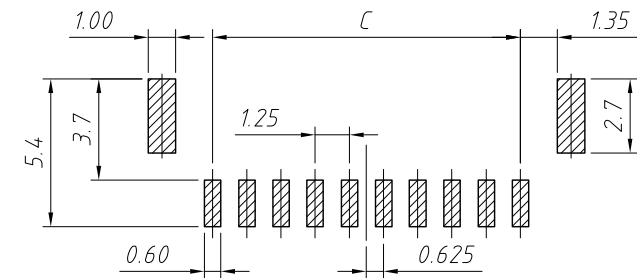
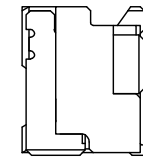
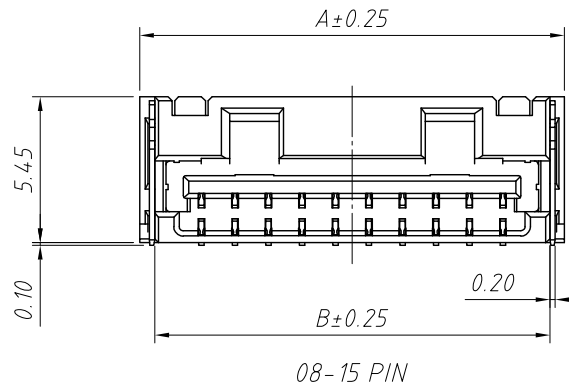
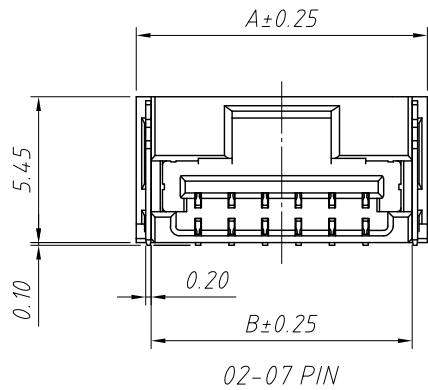


NingBo KLS ELECTRONIC CO.,L TD.

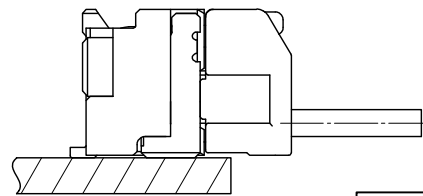
RoHS Compliance



Pin	Dimensions(mm)		
	A	B	C
02	5.85	4.75	1.25
03	7.10	6.00	2.50
04	8.35	7.25	3.75
05	9.60	8.50	5.00
06	10.85	9.75	6.25
07	12.10	11.00	7.50
08	13.35	12.25	8.75
09	14.60	13.50	10.00
10	15.85	14.75	11.25
11	17.10	16.00	12.50
12	18.35	17.25	13.75
13	19.60	18.50	15.00
14	20.85	19.75	16.25
15	21.10	21.00	17.50



Recommended PCB Layout
General Tolerance±0.05



Mated Connectors

Material:
Wafer:LCP,UL 94V-0,Natrual
Pin:Phosphor Bronze,Tin-plated
Solder Tabs:Brass,Tin-plated

Electrical Characteristics:
Current rating:1.0A AC,DC
Voltage rating:50V AC,DC
Temperature range:-25°C ~ + 85°C
Insulation resistance:100MΩ/Min.
Withstanding voltage:500V AC/minute
Contact resistance:20mΩ/Max.

Order Information:
L-KLS1-XL9-1.25-XX-RM
L: RoHS
Pitch:1.25mm
XX-No.of 02~15 pins
Type:
H-Hosing T-Terminal
VM-Vertical SMT Pin
RM-Horizontal SMT Pin

ANGLE TOLERANCE	PROJECTION	Description:	1.25mm Pitch 502380 502382
±3°			502386, Wire to board connector
GENERAL TOLERANCE	UNITS	mm	KLS P/N:
x.x ±0.30	SHEET SIZE	A4	L-KLS1-XL9-1.25-XX-RM
x.xx ±0.20	Draw:	Daniel	2020-11-11
x.xxx ±0.10	Check:	Daniel	2020-11-11



NingBo KLS ELECTRONIC CO.,L TD.