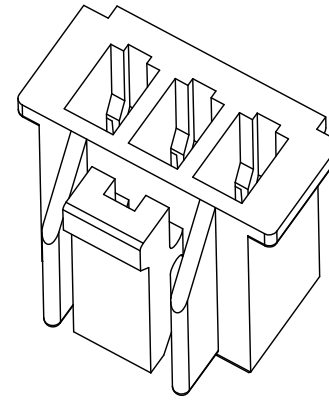
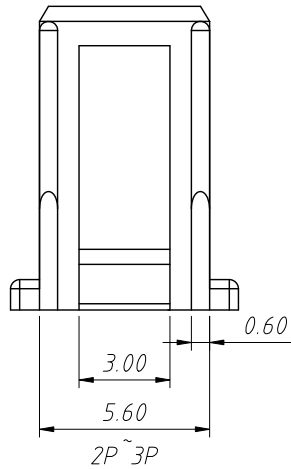
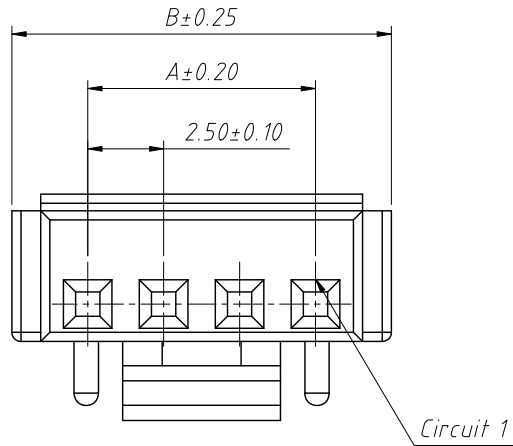
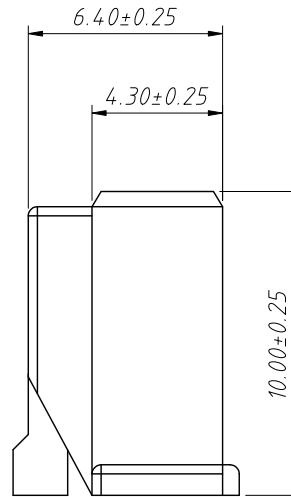
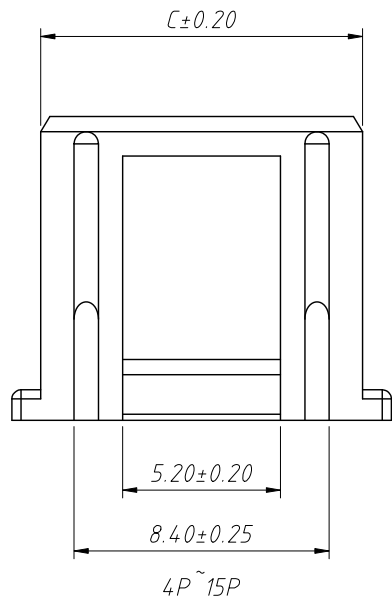


RoHS Compliance



Material:
Housing:PA66,UL94V-0,Natural Color

Electrical Characteristics:
Rated Current:3.0AMP
Voltage rating:250V AC,DC
Temperature range:-25°C ~ +85°C
Insulator Resistance:1000MΩ Min
Withstanding Voltage:1500V AC/minute
Contact Resistance:20mΩ Max
After environmental testing:40mΩ Max



Pin	Dimensions(mm)		
	A	B	C
02	2.50	7.50	5.60
03	5.00	10.0	8.10
04	7.50	12.50	10.60
05	10.00	15.00	13.10
06	12.50	17.50	15.60
07	15.00	20.00	18.10
08	17.50	22.50	20.60
09	20.00	25.00	23.10
10	22.50	27.50	25.60
11	25.00	30.00	28.10
12	27.50	32.50	30.60
13	30.00	35.00	33.10
14	32.50	37.50	35.60
15	35.00	40.00	38.10

Order Information:
L-KLS1-2.50E-XX-MH

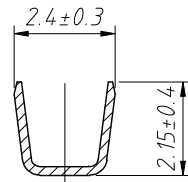
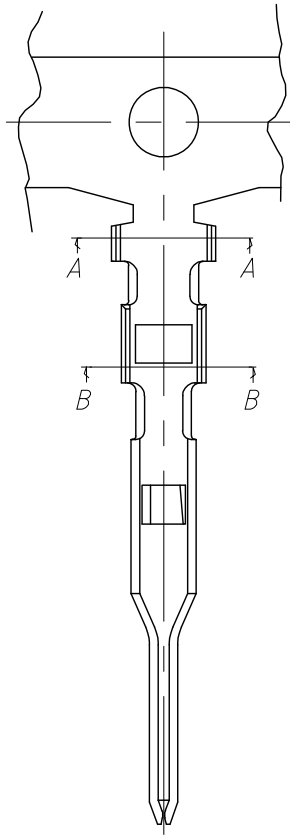
L: RoHS
Pitch:2.50mm
XX-No. of 02~15 pins
Type:
MH FH-Housing
MT FT-Terminal
S-Straight pin
R-Right angle pin

ANGLE TOLERANCE	PROJECTION	Description:	2.50mm Pitch 35155 Type Wire To Board Connector
±3°			
GENERAL TOLERANCE	UNITS	mm	KLS P/N: L-KLS1-2.50E-XX-MH
x.x ±0.30	SHEET SIZE	A4	
x.xx ±0.20	Draw:	Daniel	2021-01-11
x.xxx ±0.10	Check:	Daniel	2021-01-11

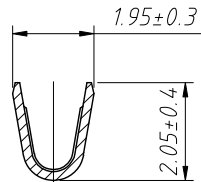


NingBo KLS ELECTRONIC CO.,L.TD.

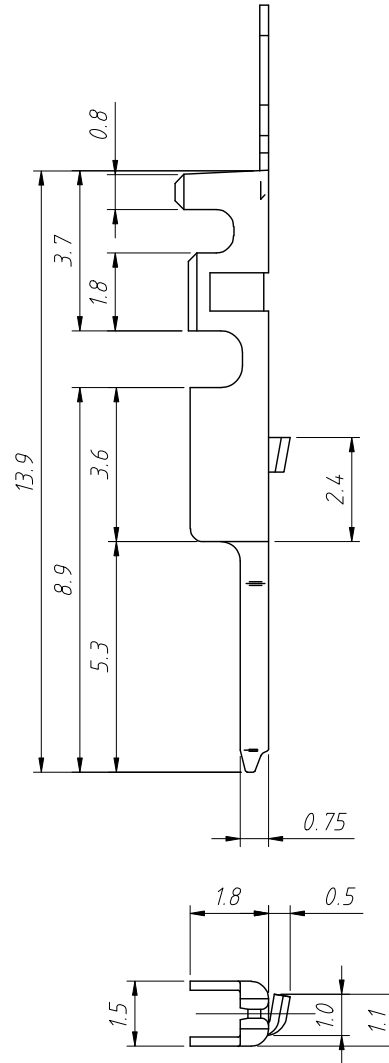
RoHS Compliance



SECT.A-A



SECT.B-B



Material:

Terminal: Phosphor Bronze

Plating: Tin plated

Applicable wires: AWG #22 ~ #28

Insulation O.D.: 1.9mm Max

Electrical Characteristics:

Rated Current: 3.0AMP

Voltage rating: 250V AC, DC

Temperature range: -25°C ~ +85°C

Insulator Resistance: 1000MΩ Min

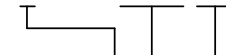
Withstanding Voltage: 1500V AC/minute

Contact Resistance: 20mΩ Max

After environmental testing: 40mΩ Max

Order Information:

L-KLS1-2.50E-MT



L: RoHS

Pitch: 2.50mm

Type:

MH FH-Housing

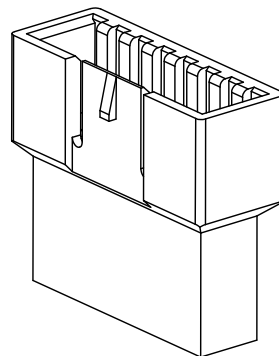
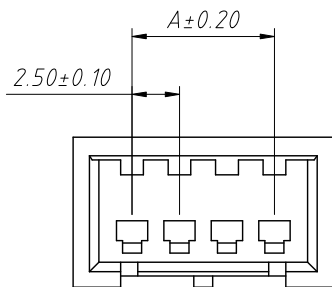
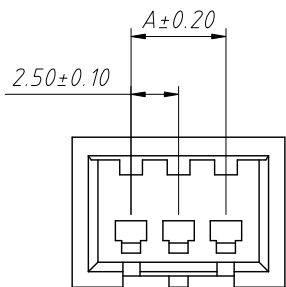
MT FT-Terminal

S-Straight pin

R-Right angle pin

ANGLE TOLERANCE	PROJECTION	Description:	2.50mm Pitch 35155 Type	
±3°		Wire To Board Connector		
GENERAL TOLERANCE	UNITS	mm	KLS P/N: L-KLS1-2.50E-MT	
x.x ±0.30	SHEET SIZE	A4	NingBo KLS ELECTRONIC CO.,LTD.	
x.xx ±0.20	Draw:	Daniel		2021-01-11
x.xxx ±0.10	Check:	Daniel		2021-01-11

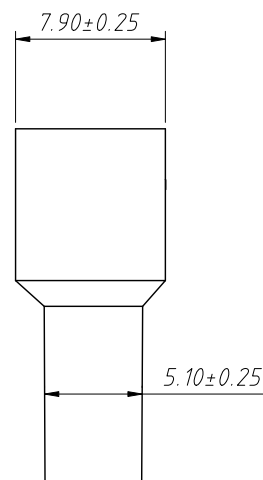
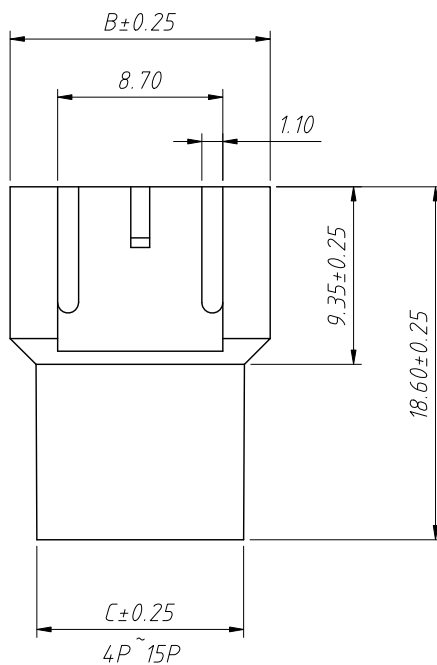
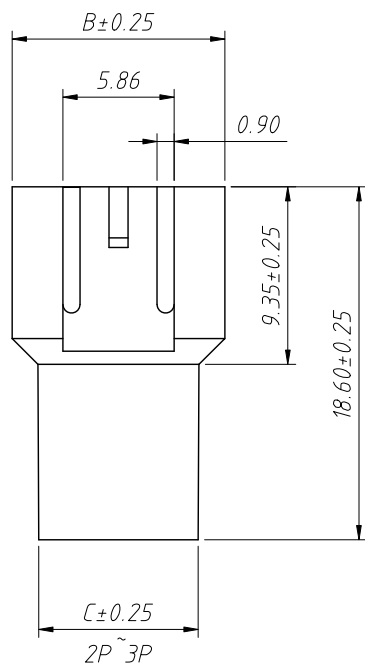
1 RoHS Compliance



Pin	Dimensions(mm)		
	A	B	C
02	2.50	8.70	5.90
03	5.00	11.20	8.40
04	7.50	13.70	10.90
05	10.00	16.20	13.40
06	12.50	18.70	15.90
07	15.00	21.20	18.40
08	17.50	23.70	20.90
09	20.00	26.20	23.40
10	22.50	28.70	25.90
11	25.00	31.20	28.40
12	27.50	33.70	30.90
13	30.00	36.20	33.40
14	32.50	38.70	35.90
15	35.00	41.20	38.40

Material:
Housing:PA66,UL94V-0,Natural Color

Electrical Characteristics:
Rated Current:3.0AMP
Voltage rating:250V AC,DC
Temperature range:-25°C ~ + 85°C
Insulator Resistance:1000MΩ Min
Withstanding Voltage:1500V AC/minute
Contact Resistance:20mΩ Max
After environmental testing:40mΩ Max

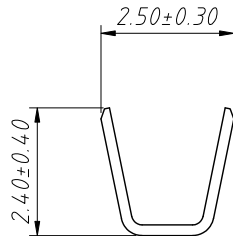
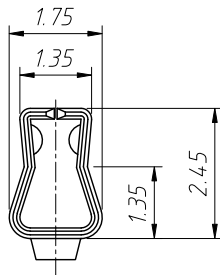
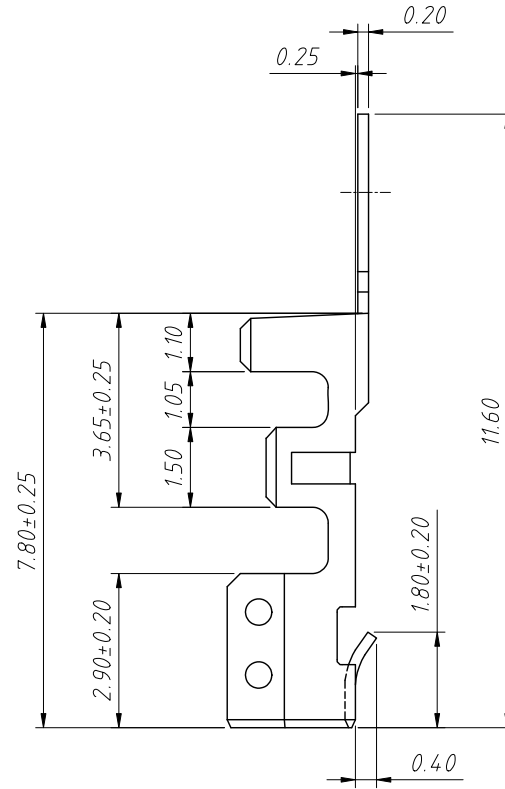
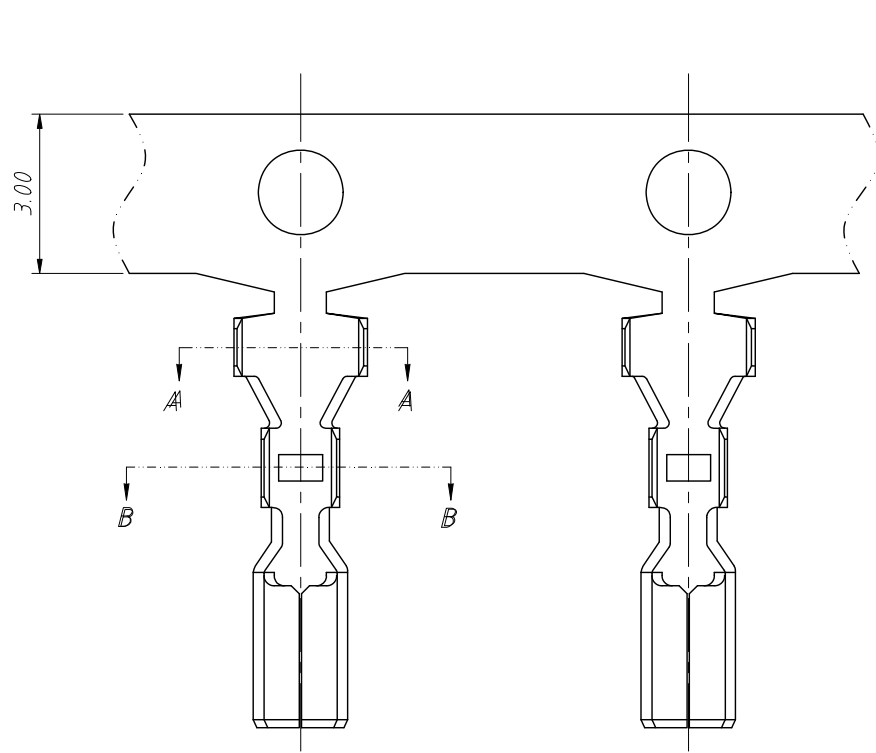


Order Information:
L-KLS1-2.50E-XX-FH
L: RoHS
Pitch:2.50mm
XX-No. of 02~15 pins
Type:
MH FH-Housing
MT FT-Terminal
S-Straight pin
R-Right angle pin

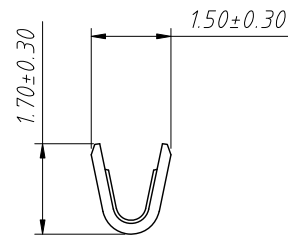
ANGLE TOLERANCE	PROJECTION	Description:	2.50mm Pitch 35155 Type
±3°		Wire To Board Connector	
GENERAL TOLERANCE	UNITS	mm	KLS P/N:
x.x ±0.30	SHEET SIZE	A4	L-KLS1-2.50E-XX-FH
x.xx ±0.20	Draw:	Daniel	2021-01-11
x.xxx ±0.10	Check:	Daniel	2021-01-11

NingBo KLS ELECTRONIC CO.,L.TD.

RoHS Compliance



SECT.B-B



SECT.A-A

Material:

Terminal: Phosphor Bronze

Plating: Tin plated

Applicable wires: AWG #22 ~ #28

Insulation O.D.: 1.9mm Max

Electrical Characteristics:

Rated Current: 3.0AMP

Voltage rating: 250V AC, DC

Temperature range: -25°C ~ +85°C

Insulator Resistance: 1000MΩ Min

Withstanding Voltage: 1500V AC/minute

Contact Resistance: 20mΩ Max

After environmental testing: 40mΩ Max

Order Information:

L-KLS1-2.50E-FT

L: RoHS

Pitch: 2.50mm

Type:

MH FH-Housing

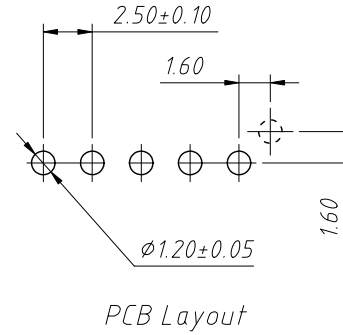
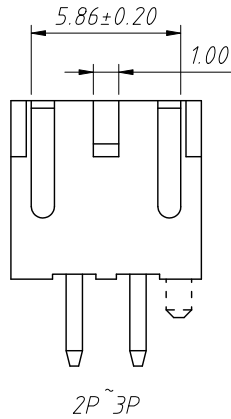
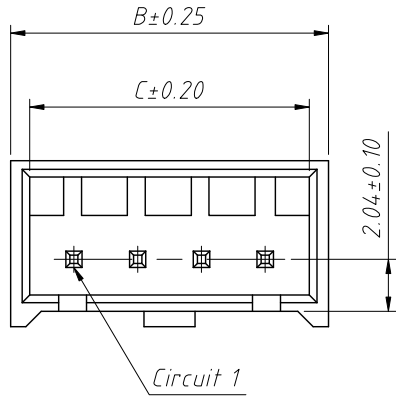
MT FT-Terminal

S-Straight pin

R-Right angle pin

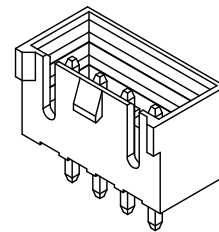
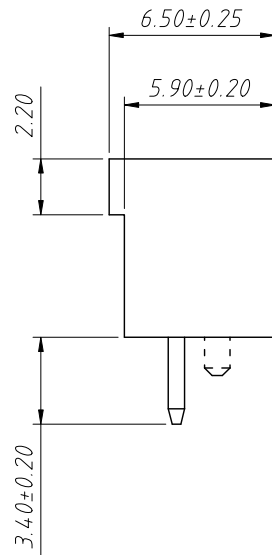
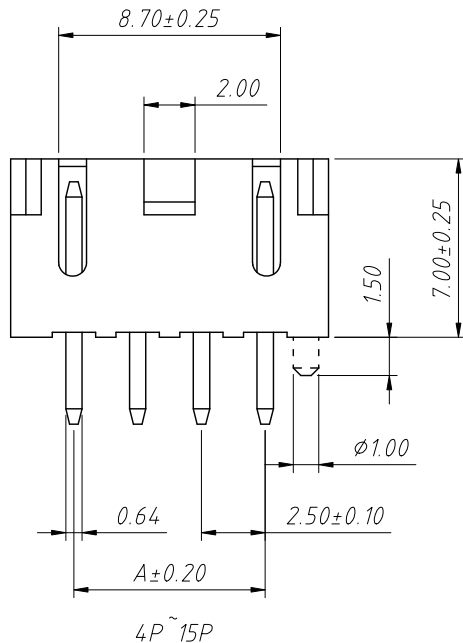
ANGLE TOLERANCE	PROJECTION	Description:	2.50mm Pitch 35155 Type
±3°			Wire To Board Connector
GENERAL TOLERANCE	UNITS	mm	KLS P/N: L-KLS1-2.50E-FT
x.x ±0.30	SHEET SIZE	A4	NingBo KLS ELECTRONIC CO.,L.TD.
x.xx ±0.20	Draw:	Daniel 2021-01-11	
x.xxx ±0.10	Check:	Daniel 2021-01-11	

1 RoHS Compliance



Material:
 Housing:PA66,UL94V-0,Natural Color
 Contact : Brass
 Finish : Tin Plating

Electrical Characteristics:
 Rated Current:3.0AMP
 Voltage rating:250V AC,DC
 Temperature range:-25°C ~ + 85°C
 Insulator Resistance:1000M Ω Min
 Withstanding Voltage:1500V AC/minute
 Contact Resistance:20m Ω Max
 After environmental testing:40m Ω Max



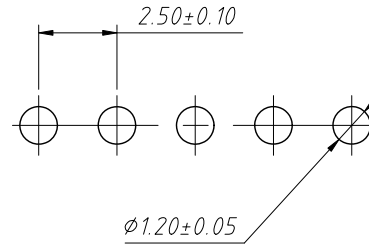
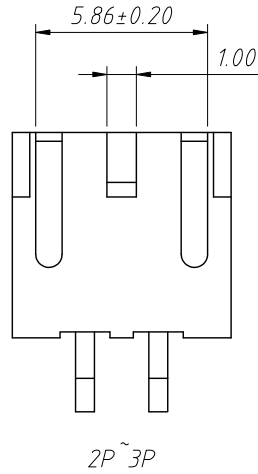
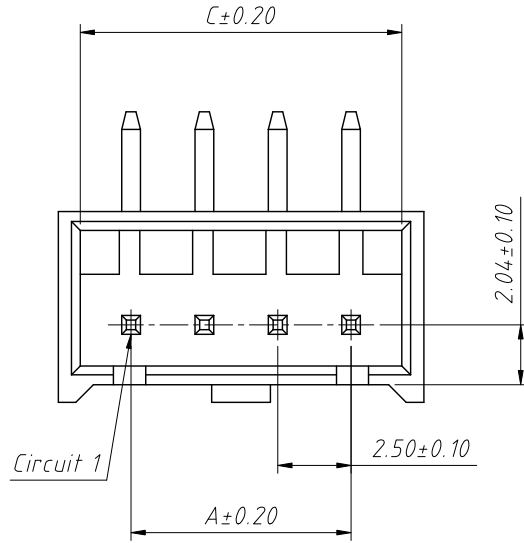
Pin	Dimensions(mm)		
	A	B	C
02	2.50	7.46	5.96
03	5.00	9.96	8.46
04	7.50	12.46	10.96
05	10.00	14.96	13.46
06	12.50	17.46	15.96
07	15.00	19.96	18.46
08	17.50	22.46	20.96
09	20.00	24.96	23.46
10	22.50	27.46	25.96
11	25.00	29.96	28.46
12	27.50	32.46	30.96
13	30.00	34.96	33.46
14	32.50	37.46	35.96
15	35.00	39.96	38.46

Order Information:
 L-KLS1-2.50E-XX-S-N

L: RoHS
 Pitch:2.50mm
 XX-No.of 02~15 pins
 Type:
 MH FH-Housing
 MT FT-Terminal
 S-Straight pin
 R-Right angle pin
 Post:
 W=With Post N=Without Post

ANGLE TOLERANCE	PROJECTION	Description:	2.50mm Pitch 35155 Type
$\pm 3^\circ$			Wire To Board Connector
GENERAL TOLERANCE	UNITS	mm	KLS P/N: L-KLS1-2.50E-XX-S-N
x.x ± 0.30	SHEET SIZE	A4	NingBo KLS ELECTRONIC CO.,L TD.
x.xx ± 0.20	Draw:	Daniel 2021-01-11	
x.xxx ± 0.10	Check:	Daniel 2021-01-11	

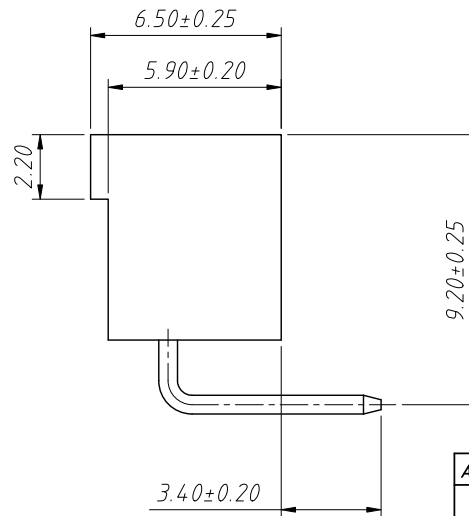
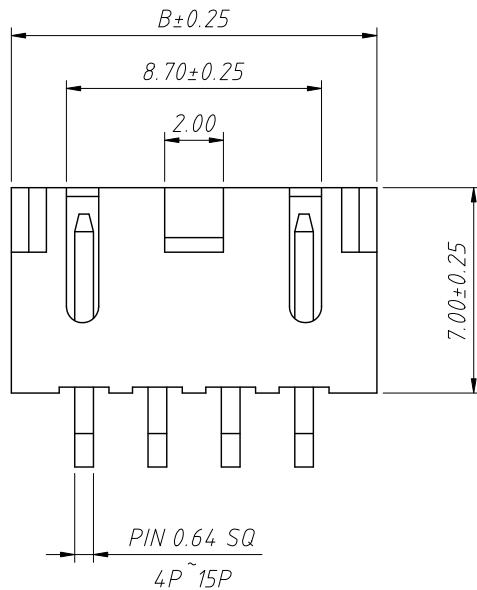
RoHS Compliance



PCB Layout

Material:
Housing: PA66, UL94V-0, Natural Color
Contact : Brass
Finish : Tin Plating

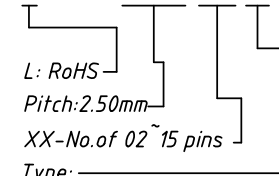
Electrical Characteristics:
Rated Current: 3.0AMP
Voltage rating: 250V AC, DC
Temperature range: -25°C ~ +85°C
Insulator Resistance: 1000MΩ Min
Withstanding Voltage: 1500V AC/minute
Contact Resistance: 20mΩ Max
After environmental testing: 40mΩ Max



Pin	Dimensions(mm)		
	A	B	C
02	2.50	7.46	5.96
03	5.00	9.96	8.46
04	7.50	12.46	10.96
05	10.00	14.96	13.46
06	12.50	17.46	15.96
07	15.00	19.96	18.46
08	17.50	22.46	20.96
09	20.00	24.96	23.46
10	22.50	27.46	25.96
11	25.00	29.96	28.46
12	27.50	32.46	30.96
13	30.00	34.96	33.46
14	32.50	37.46	35.96
15	35.00	39.96	38.46

Order Information:

L-KLS1-2.50E-XX-R



Type: _____
MH FH-Housing
MT FT-Terminal
S-Straight pin
R-Right angle pin

ANGLE TOLERANCE	PROJECTION	Description:	2.50mm Pitch 35155 Type
±3°			Wire To Board Connector
GENERAL TOLERANCE	UNITS	mm	KLS P/N: L-KLS1-2.50E-XX-R
x.x ±0.30	SHEET SIZE	A4	NingBo KLS ELECTRONIC CO.,L TD.
x.xx ±0.20	Draw:	Daniel 2021-01-11	
x.xxx ±0.10	Check:	Daniel 2021-01-11	