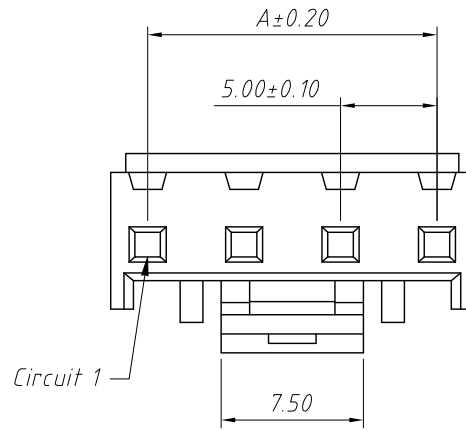
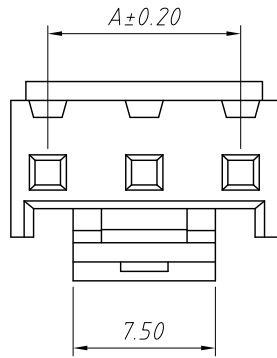
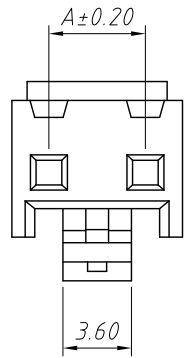
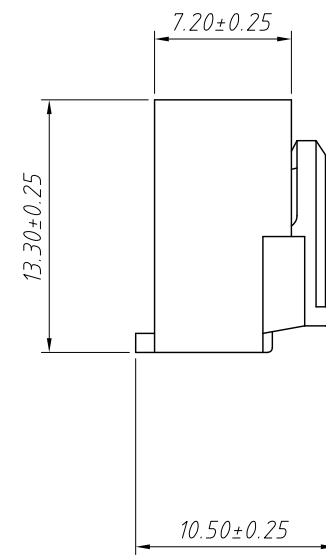
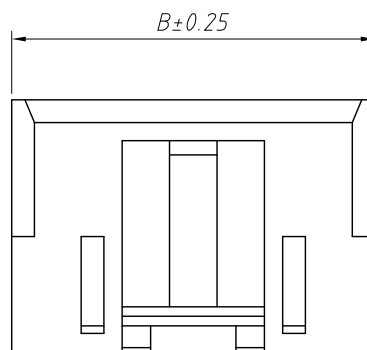
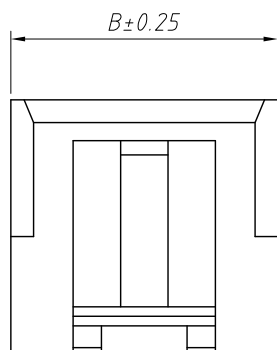
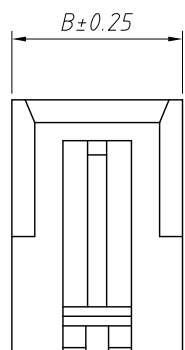


RoHS Compliance



Pin	Dimensions(mm)	
	A	B
02	5.00	8.98
03	10.00	14.06
04	15.00	19.14
05	20.00	24.22
06	25.00	29.30
07	30.00	34.38
08	35.00	39.46
09	40.00	44.54
10	45.00	49.62
11	50.00	54.70
12	55.00	59.78



02 Pin

03 Pin

04~12 Pin

Order Information:

L-KLS1-XL1-5.00-XX-H

L: RoHS

Pitch: 5.00mm

XX-No. of 02~12 Pins

Type:

H-Hosing T-Terminal

S / SW-Straight male pin

R-Right angle male pin

Material:

Housing: PA66, UL 94V-0, Natural

Electrical Characteristics:

Rated Current: 10.0AMP

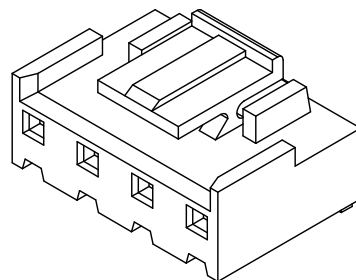
Voltage rating: 250V AC, DC

Temperature range: -40°C ~ +105°C

Insulator Resistance: 1000MΩ Min

Withstand Voltage: 1500V AC/DC

Contact Resistance: 10mΩ Max

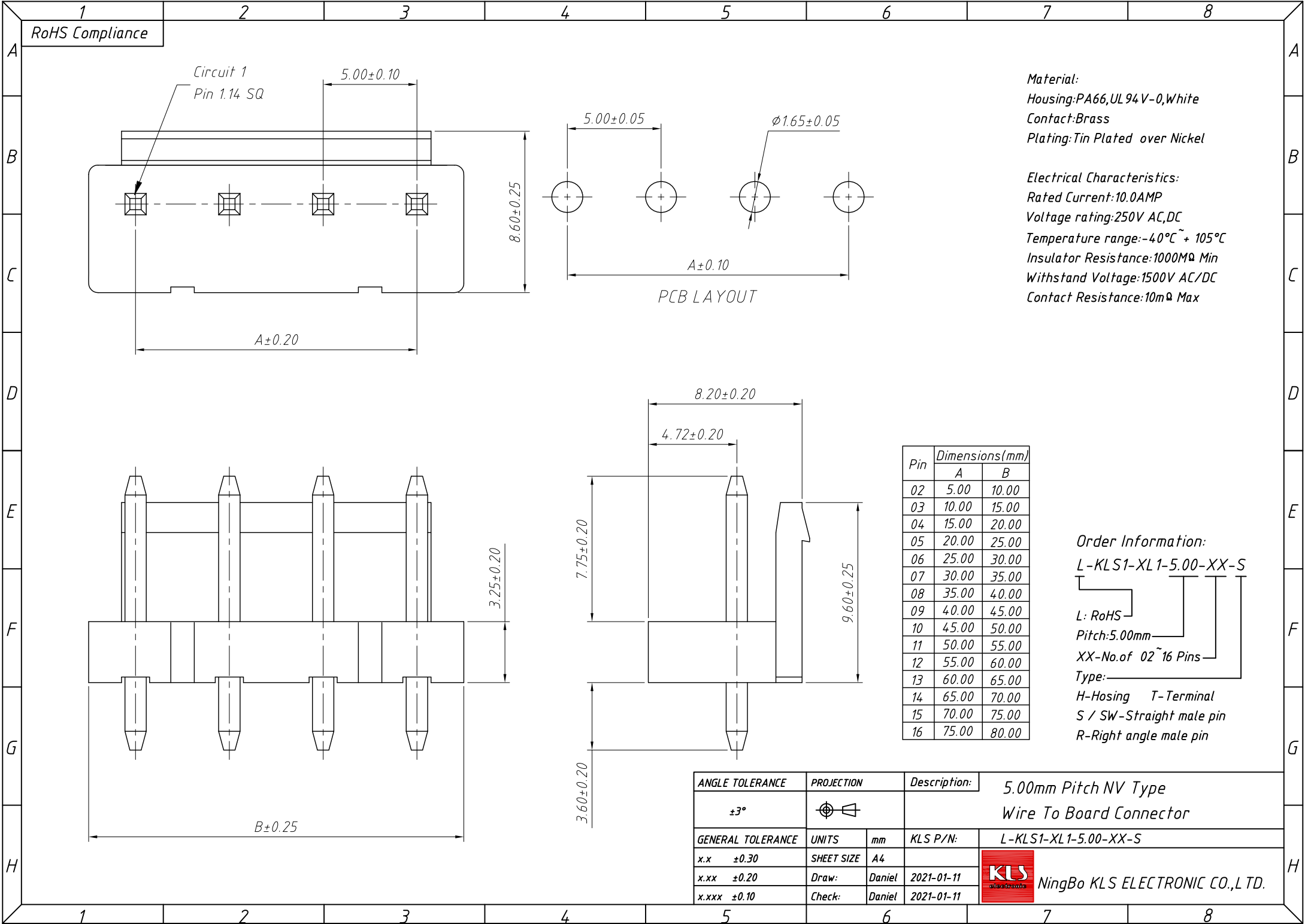


ANGLE TOLERANCE	PROJECTION	Description:
±3°		5.00mm Pitch NV Type Wire To Board Connector
GENERAL TOLERANCE	UNITS	mm
x.x ±0.30	SHEET SIZE	A4
x.xx ±0.20	Draw:	Daniel 2021-01-11
x.xxx ±0.10	Check:	Daniel 2021-01-11



NingBo KLS ELECTRONIC CO., L.TD.

1
RoHS Compliance



Material:
Housing: PA66, UL 94 V-0, White
Contact: Brass
Plating: Tin Plated over Nickel

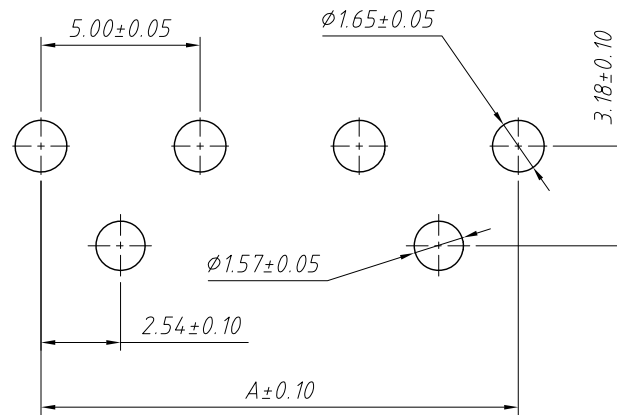
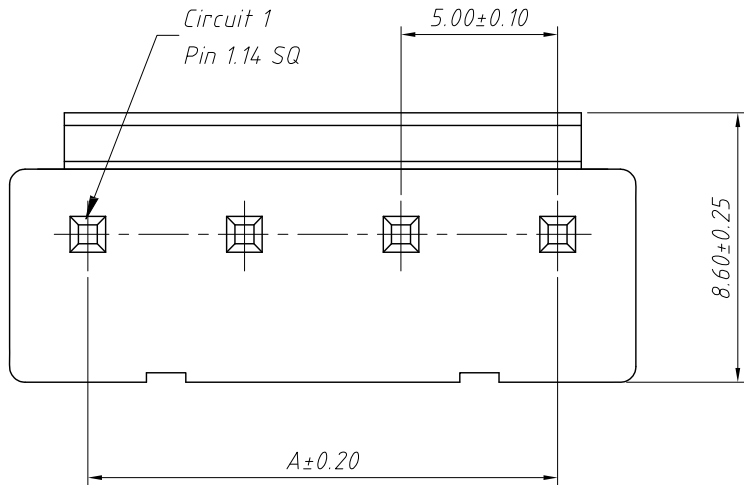
Electrical Characteristics:
Rated Current: 10.0AMP
Voltage rating: 250V AC, DC
Temperature range: $-40^{\circ}\text{C} \sim +105^{\circ}\text{C}$
Insulator Resistance: $1000\text{M}\Omega$ Min
Withstand Voltage: 1500V AC/DC
Contact Resistance: $10\text{m}\Omega$ Max

Pin	Dimensions(mm)	
	A	B
02	5.00	10.00
03	10.00	15.00
04	15.00	20.00
05	20.00	25.00
06	25.00	30.00
07	30.00	35.00
08	35.00	40.00
09	40.00	45.00
10	45.00	50.00
11	50.00	55.00
12	55.00	60.00
13	60.00	65.00
14	65.00	70.00
15	70.00	75.00
16	75.00	80.00

Order Information:
L-KLS1-XL1-5.00-XX-S
L: RoHS
Pitch: 5.00mm
XX-No. of 02~16 Pins
Type: _____
H-Hosing T-Terminal
S / SW-Straight male pin
R-Right angle male pin

ANGLE TOLERANCE	PROJECTION	Description:	5.00mm Pitch NV Type Wire To Board Connector
$\pm 3^{\circ}$			
GENERAL TOLERANCE	UNITS	mm	KLS P/N: L-KLS1-XL1-5.00-XX-S
x.x ± 0.30	SHEET SIZE	A4	NingBo KLS ELECTRONIC CO.,L TD.
x.xx ± 0.20	Draw:	Daniel 2021-01-11	
x.xxx ± 0.10	Check:	Daniel 2021-01-11	

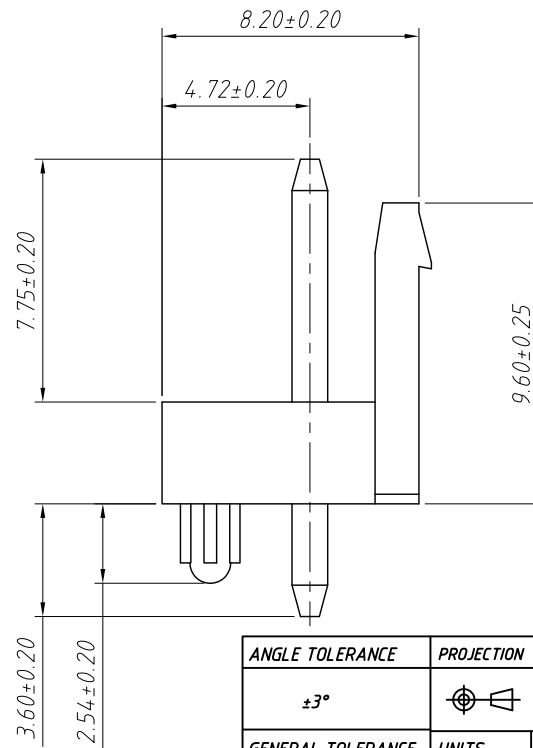
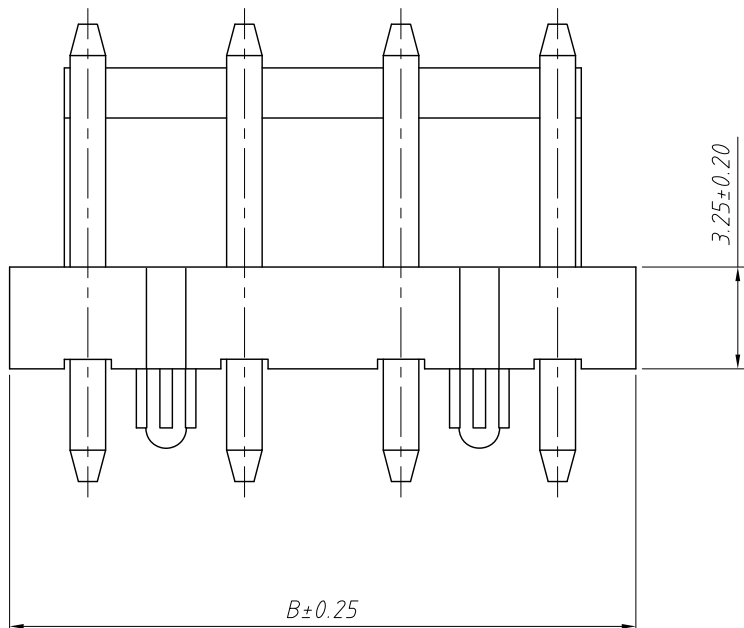
RoHS Compliance



PCB LAYOUT

Material:
 Housing: PA66, UL 94 V-0, White
 Contact: Brass
 Plating: Tin Plated over Nickel

Electrical Characteristics:
 Rated Current: 10.0AMP
 Voltage rating: 250V AC, DC
 Temperature range: -40°C ~ +105°C
 Insulator Resistance: 1000MΩ Min
 Withstand Voltage: 1500V AC/DC
 Contact Resistance: 10mΩ Max



Pin	Dimensions (mm)	
	A	B
02	5.00	10.00
03	10.00	15.00
04	15.00	20.00
05	20.00	25.00
06	25.00	30.00
07	30.00	35.00
08	35.00	40.00
09	40.00	45.00
10	45.00	50.00
11	50.00	55.00
12	55.00	60.00
13	60.00	65.00
14	65.00	70.00
15	70.00	75.00
16	75.00	80.00

Order Information:
 L-KLS1-XL1-5.00-XX-SW

 L: RoHS
 Pitch: 5.00mm
 XX-No. of 02 ~ 16 Pins
 Type: _____
 H-Hosing T-Terminal
 S / SW-Straight male pin
 R-Right angle male pin

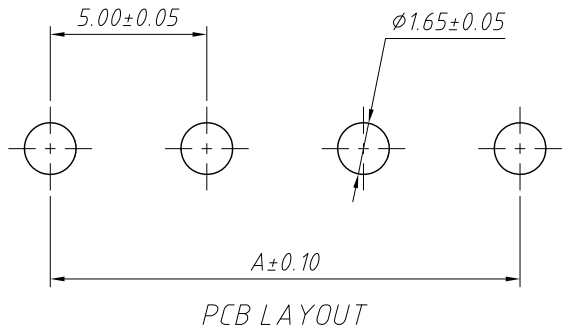
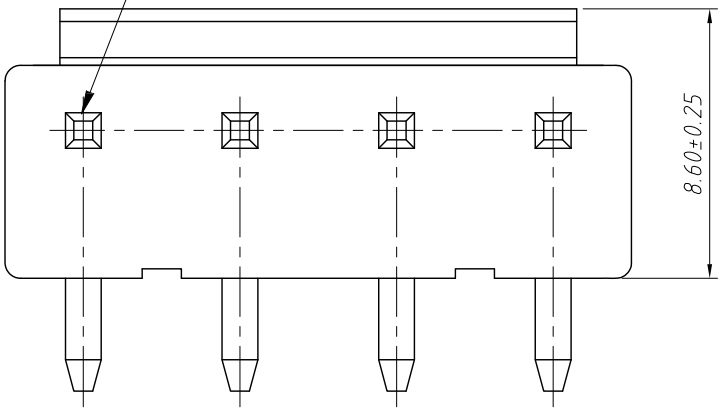
ANGLE TOLERANCE	PROJECTION	Description:	5.00mm Pitch NV Type
±3°			Wire To Board Connector
GENERAL TOLERANCE	UNITS	mm	KLS P/N:
x.x ±0.30	SHEET SIZE	A4	L-KLS1-XL1-5.00-XX-SW
x.xx ±0.20	Draw:	Daniel	2021-01-11
x.xxx ±0.10	Check:	Daniel	2021-01-11



NingBo KLS ELECTRONIC CO.,L TD.

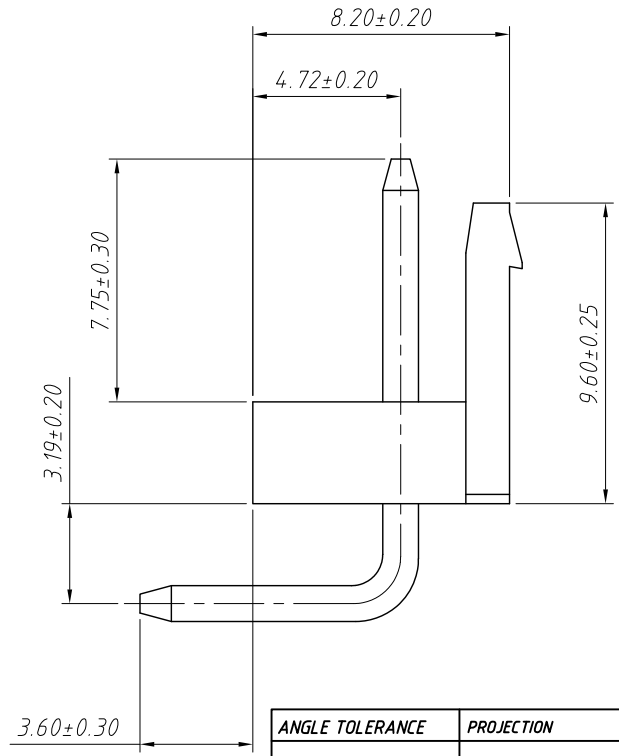
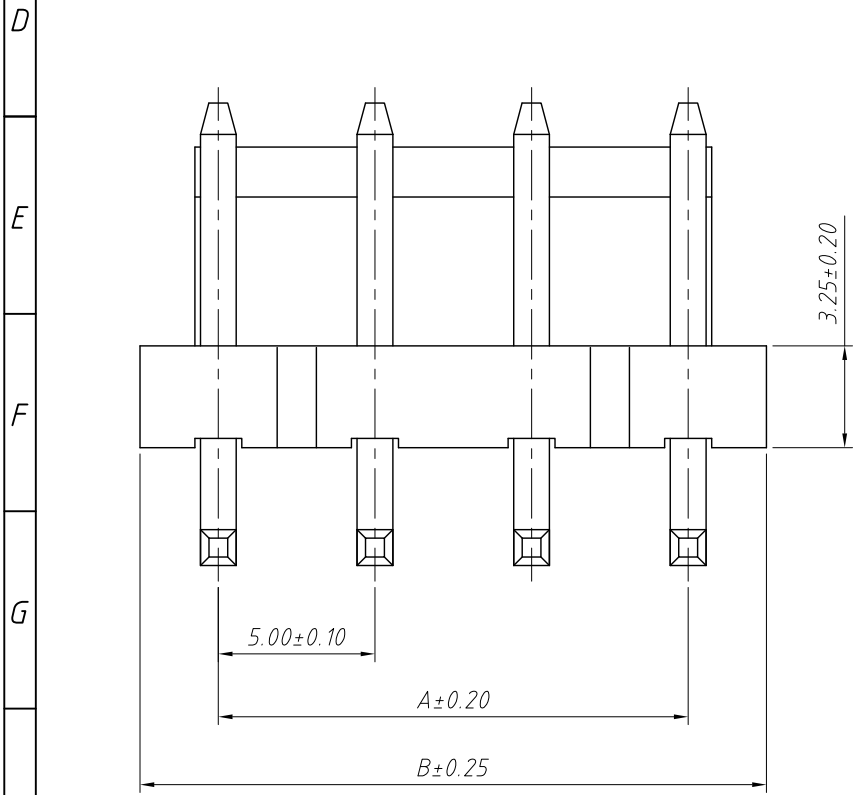
1
RoHS Compliance

Circuit 1
Pin 1.14 SQ



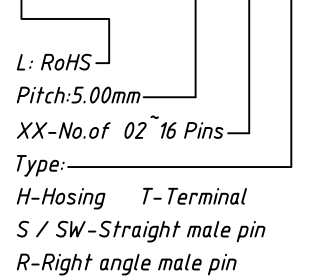
Material:
Housing: PA66, UL 94V-0, White
Contact: Brass
Plating: Tin Plated over Nickel

Electrical Characteristics:
Rated Current: 10.0AMP
Voltage rating: 250V AC, DC
Temperature range: -40°C ~ +105°C
Insulator Resistance: 1000MΩ Min
Withstand Voltage: 1500V AC/DC
Contact Resistance: 10mΩ Max



Pin	Dimensions (mm)	
	A	B
02	5.00	10.00
03	10.00	15.00
04	15.00	20.00
05	20.00	25.00
06	25.00	30.00
07	30.00	35.00
08	35.00	40.00
09	40.00	45.00
10	45.00	50.00
11	50.00	55.00
12	55.00	60.00
13	60.00	65.00
14	65.00	70.00
15	70.00	75.00
16	75.00	80.00

Order Information:
L-KLS1-XL1-5.00-XX-R



ANGLE TOLERANCE	PROJECTION	Description:	5.00mm Pitch NV Type
±3°			Wire To Board Connector
GENERAL TOLERANCE	UNITS	mm	KLS P/N:
x.x ±0.30	SHEET SIZE	A4	L-KLS1-XL1-5.00-XX-R
x.xx ±0.20	Draw:	Daniel	2021-01-11
x.xxx ±0.10	Check:	Daniel	2021-01-11

