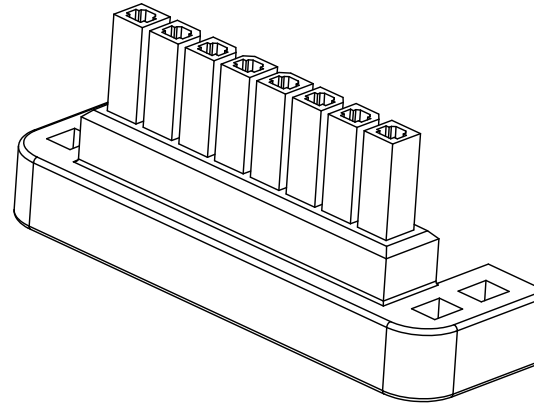
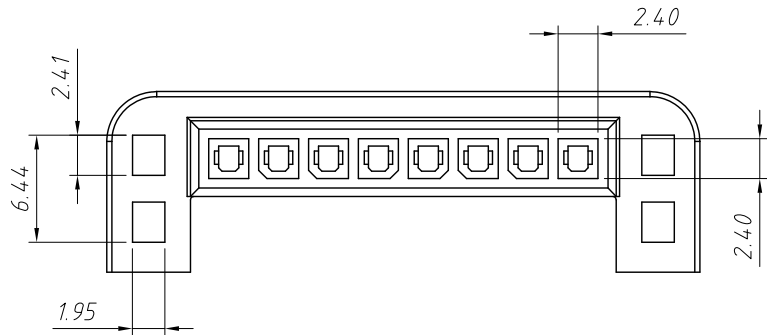
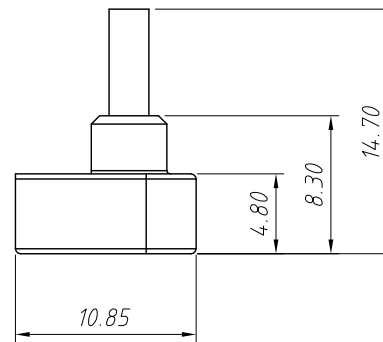
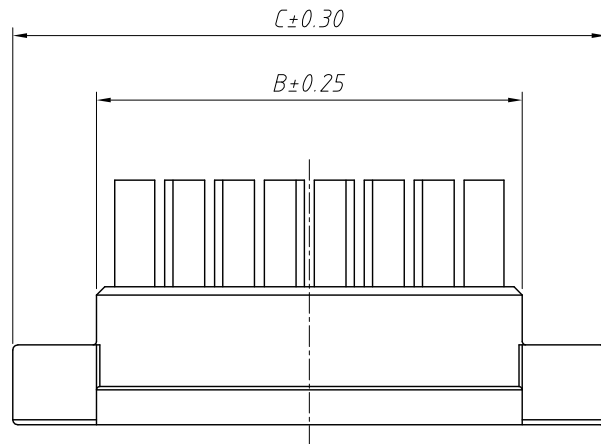


RoHS Compliance



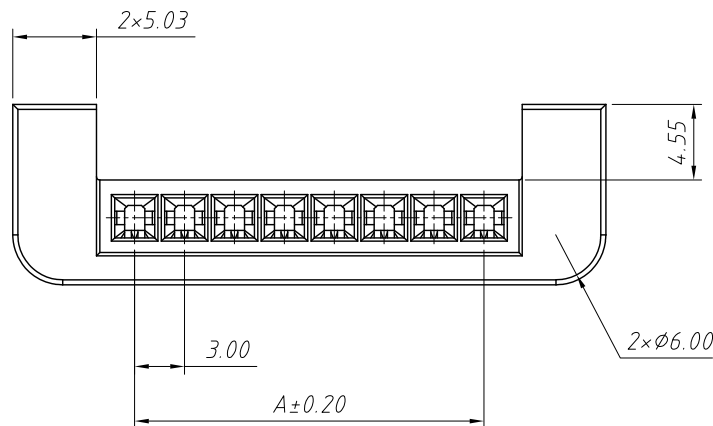
**Material:**  
 Housing: PA66/LCP, UL 94V-2/UL 94V-0  
 Color: Blank-Natural Color

**Electrical Characteristics:**  
 Current rating: 5.0A AC,DC  
 Voltage rating: 250V AC,DC  
 Insulation resistance: 1000M $\Omega$  Min.  
 Withstanding voltage: 1000V AC minute  
 Contact resistance: 10m $\Omega$  Max.  
 Temperature range: -45 $^{\circ}$ C ~ +105 $^{\circ}$ C



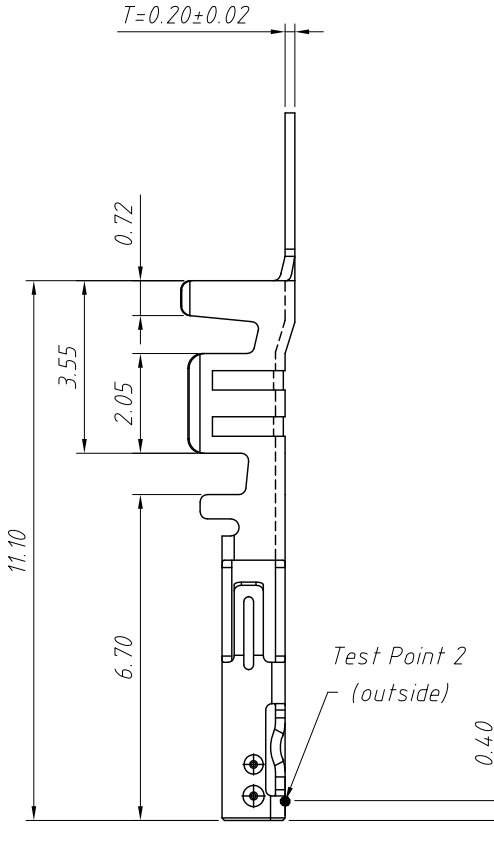
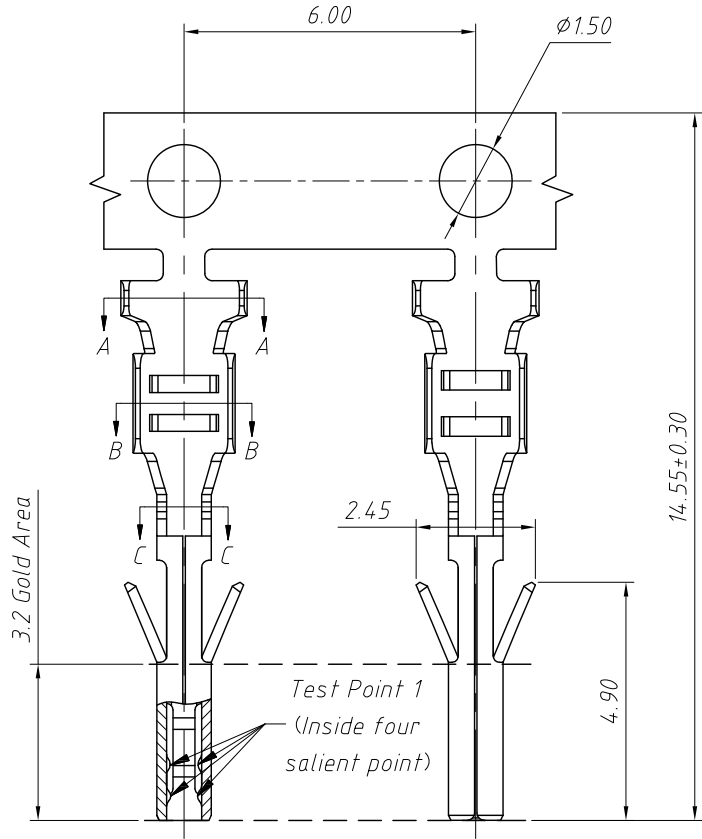
| Pin | Dimensions(mm) |       |       |
|-----|----------------|-------|-------|
|     | A              | B     | C     |
| 02  | 3.00           | 7.60  | 17.65 |
| 03  | 6.00           | 10.60 | 20.65 |
| 04  | 9.00           | 13.60 | 23.65 |
| 05  | 12.00          | 16.60 | 26.65 |
| 06  | 15.00          | 19.60 | 29.65 |
| 07  | 18.00          | 22.60 | 32.65 |
| 08  | 21.00          | 25.60 | 35.65 |
| 09  | 24.00          | 28.60 | 38.65 |
| 10  | 27.00          | 31.60 | 41.65 |
| 11  | 30.00          | 34.60 | 44.65 |
| 12  | 33.00          | 37.60 | 47.65 |

**Order Information:**  
 L-KLS1-XM2-3.00-1 $\times$ XX-H  
 L: RoHS  
 Wire To Board  
 Connector  
 Pitch: 3.00mm  
 1-Single layer  
 XX-No. of 02~12 pins  
 Type:  
 H-Housing FT-Female Terminal  
 S-Straight male pin



|                   |            |                   |  |
|-------------------|------------|-------------------|--|
| ANGLE TOLERANCE   | PROJECTION | Description:      | 3.0mm Pitch Micro-Fit BMI<br>Wire To Board Connector |
| $\pm 3^{\circ}$   |            |                   |  |
| GENERAL TOLERANCE | UNITS      | mm                | KLS P/N: L-KLS1-XM2-3.00-1 $\times$ XX-H             |
| x.x $\pm 0.30$    | SHEET SIZE | A4                | NingBo KLS ELECTRONIC CO.,L TD.                      |
| x.xx $\pm 0.20$   | Draw:      | Daniel 2020-11-11 |  |
| x.xxx $\pm 0.10$  | Check:     | Daniel 2020-11-11 |  |

1 RoHS Compliance

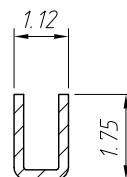
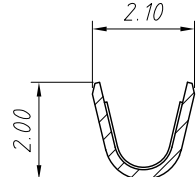
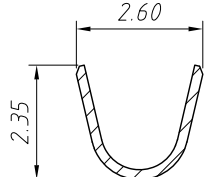
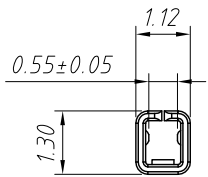
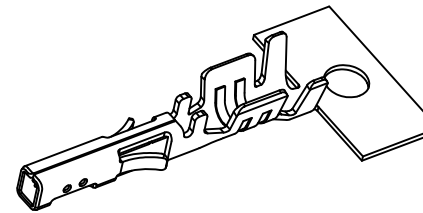


Material:  
Terminal: Phosphor bronze  
Finish: Plated Tin over Nickel

Electrical Characteristics:  
Current rating: 5.0A AC, DC  
Voltage rating: 250V AC, DC  
Insulation resistance: 1000M $\Omega$  Min.  
Withstanding voltage: 1000V AC minute  
Contact resistance: 10m $\Omega$  Max.  
Wire range: AWG#20 ~ #24  
Insulation O.D.: 1.85mm (Max)  
Temperature range: -45°C ~ +105°C

Order Information:  
L-KLS1-XM2-3.00- FT

L: RoHS  
Wire To Board  
Connector  
Pitch: 3.00mm  
Type:  
H-Housing FT-Female Terminal  
S-Straight male pin



Section: A-A  
Scale: 1:1

Section: B-B  
Scale: 1:1

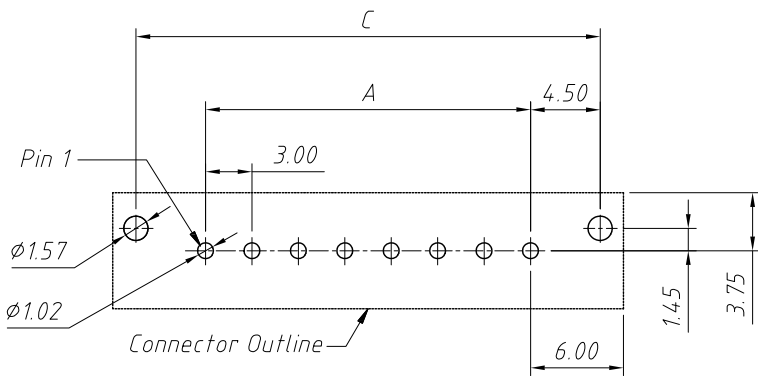
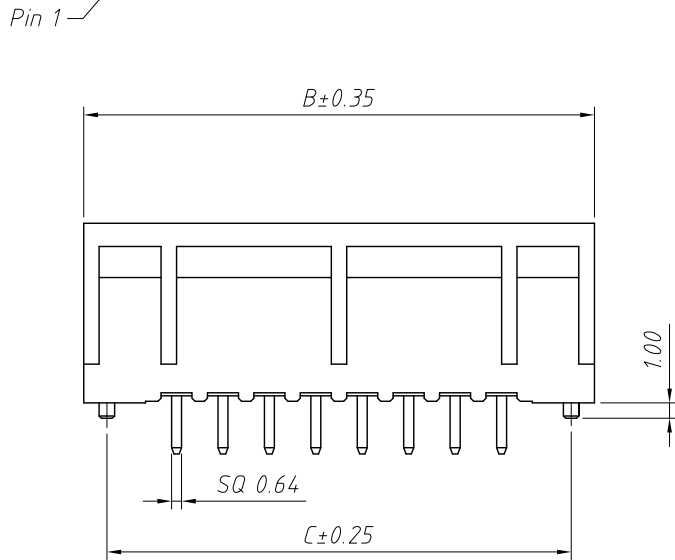
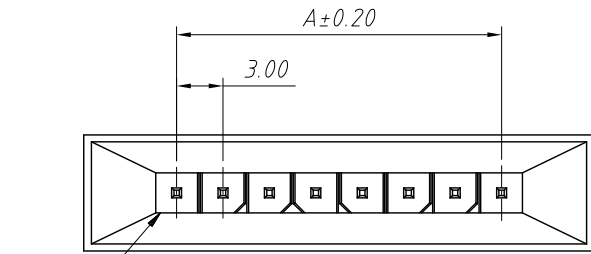
Section: C-C  
Scale: 1:1

| ANGLE TOLERANCE   | PROJECTION | Description:                |
|-------------------|------------|-----------------------------|
| $\pm 3^\circ$     |            | 3.0mm Pitch Female Terminal |
| GENERAL TOLERANCE | UNITS      | mm                          |
| x.x $\pm 0.30$    | SHEET SIZE | A4                          |
| x.xx $\pm 0.20$   | Draw:      | Daniel 2020-11-11           |
| x.xxx $\pm 0.10$  | Check:     | Daniel 2020-11-11           |

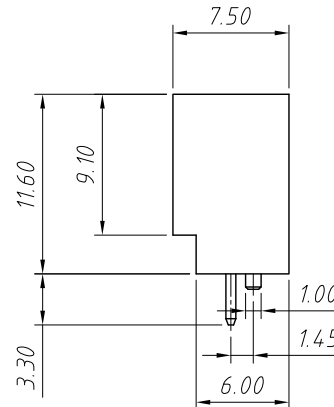
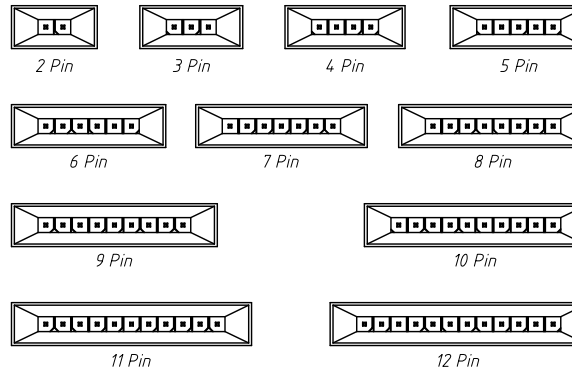


NingBo KLS ELECTRONIC CO., L TD.

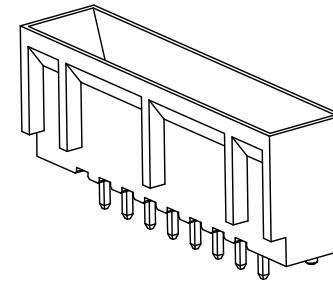
RoHS Compliance



Recommended P.C.B Layout  
General Tolerance±0.05



| Pin | Dimensions(mm) |       |       |
|-----|----------------|-------|-------|
|     | A              | B     | C     |
| 02  | 3.00           | 15.00 | 12.00 |
| 03  | 6.00           | 18.00 | 15.00 |
| 04  | 9.00           | 21.00 | 18.00 |
| 05  | 12.00          | 24.00 | 21.00 |
| 06  | 15.00          | 27.00 | 24.00 |
| 07  | 18.00          | 30.00 | 27.00 |
| 08  | 21.00          | 33.00 | 30.00 |
| 09  | 24.00          | 36.00 | 33.00 |
| 10  | 27.00          | 39.00 | 36.00 |
| 11  | 30.00          | 42.00 | 39.00 |
| 12  | 33.00          | 45.00 | 42.00 |



Material:  
Housing:PA66/LCP,UL 94 V-2/UL 94 V-0  
Color:Blank-Natural Color  
Pin: Brass  
Finish : Plated Tin over Nickel

Electrical Characteristics:  
Current rating:5.0A AC,DC  
Voltage rating:250V AC,DC  
Insulation resistance:1000MΩ Min.  
Withstanding voltage:1000V AC minute  
Contact resistance:10mΩ Max.  
Temperature range:-45°C ~ +105°C

Order Information:

L-KLS1-XM2-3.00-1×XX-S

L: RoHS  
Wire To Board  
Connector  
Pitch:3.00mm  
1-Single layer  
XX-No. of 02~12 pins  
Type:  
H-Housing FT-Female Terminal  
S-Straight male pin

| ANGLE TOLERANCE   | PROJECTION | Description:   |
|-------------------|------------|--|
| ±3°               |            | 3.0mm Pitch Micro-Fit BMI<br>Wire To Board Connector |
| GENERAL TOLERANCE | UNITS      | mm   |
| x.x ±0.30         | SHEET SIZE | A4   |
| x.xx ±0.20        | Draw:      | Daniel 2020-11-11                                    |
| x.xxx ±0.10       | Check:     | Daniel 2020-11-11                                    |



NingBo KLS ELECTRONIC CO.,L TD.