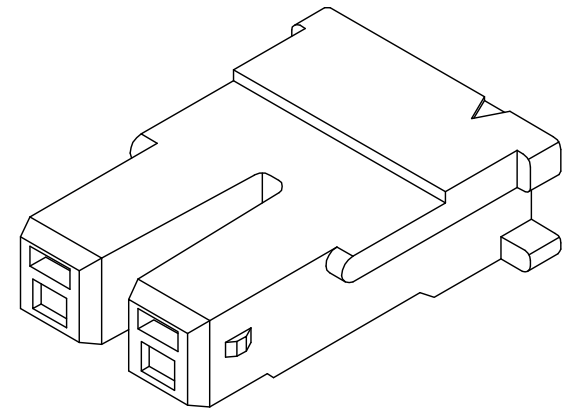
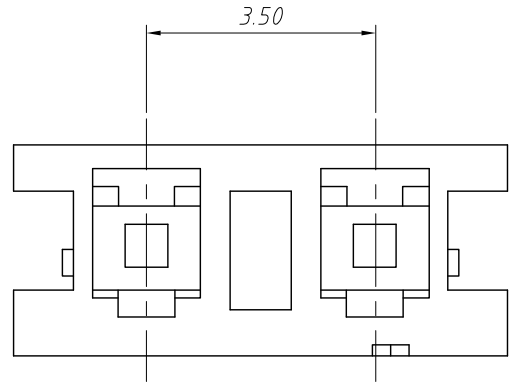
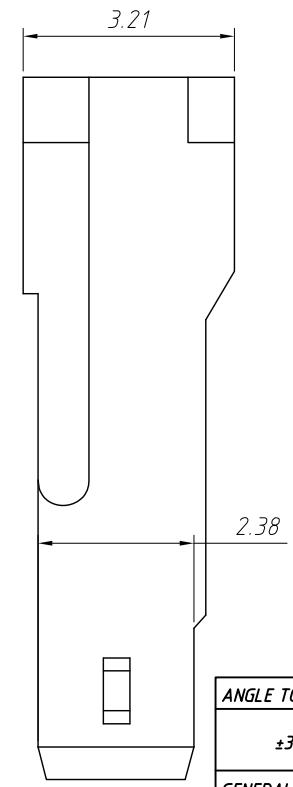
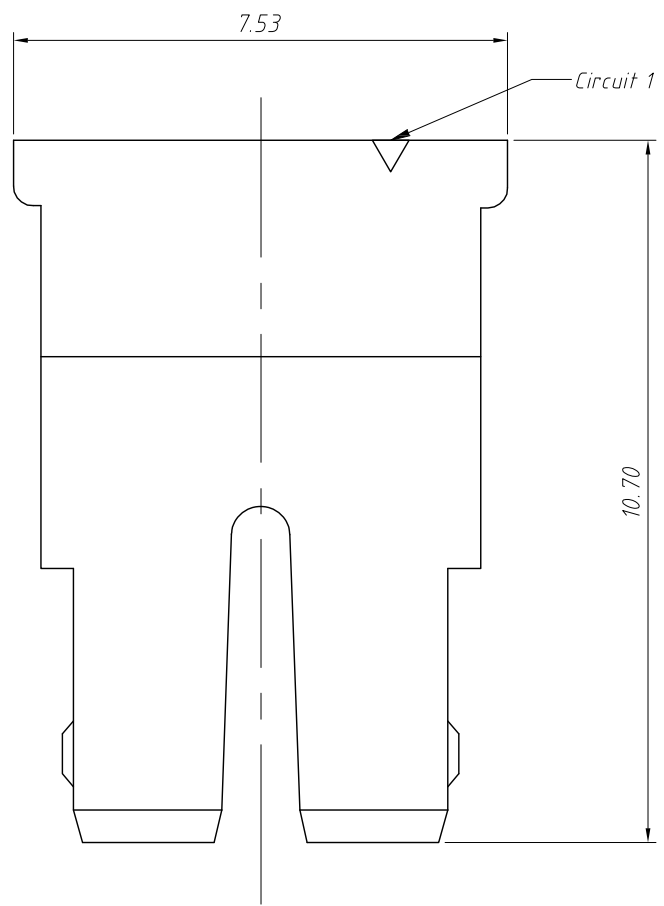


1
RoHS Compliance



Material:
Housing:PA66,UL94V-0,Natural

Electrical Characteristics:
Rated Current:1.0AMP
Voltage rating:1400V AC,DC
Temperature range:-25°C ~ + 85°C
Insulator Resistance:1000MΩ Min
Withstanding Voltage:3800V AC/minute
Contact Resistance:10mΩ Max



Order Information:
L-KLS1-BH-3.50-02-MH1

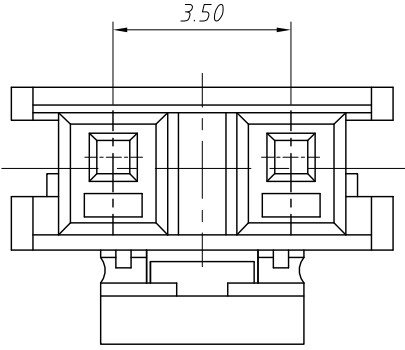
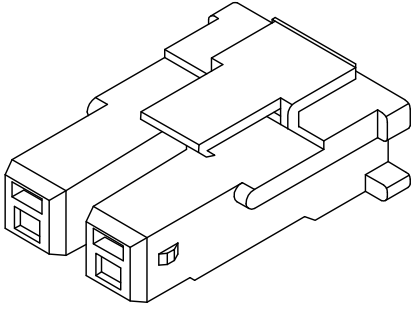
L: RoHS
Pitch:3.50mm
No.of 02 pins
Type:
FH1 / FH2-Female Hosing
MH1 / MH2-Male Hosing
FT-Female Terminal MT-Male Terminal
R-Right angle male pin
RM-Horizontal SMT Pin

ANGLE TOLERANCE	PROJECTION	Description:	3.50mm Pitch BHS Type Wire To Board Connector
±3°			
GENERAL TOLERANCE	UNITS	mm	KLS P/N:
x.x ±0.30	SHEET SIZE	A4	L-KLS1-BH-3.50-02-MH1
x.xx ±0.20	Draw:	Daniel	2021-01-11
x.xxx ±0.10	Check:	Daniel	2021-01-11



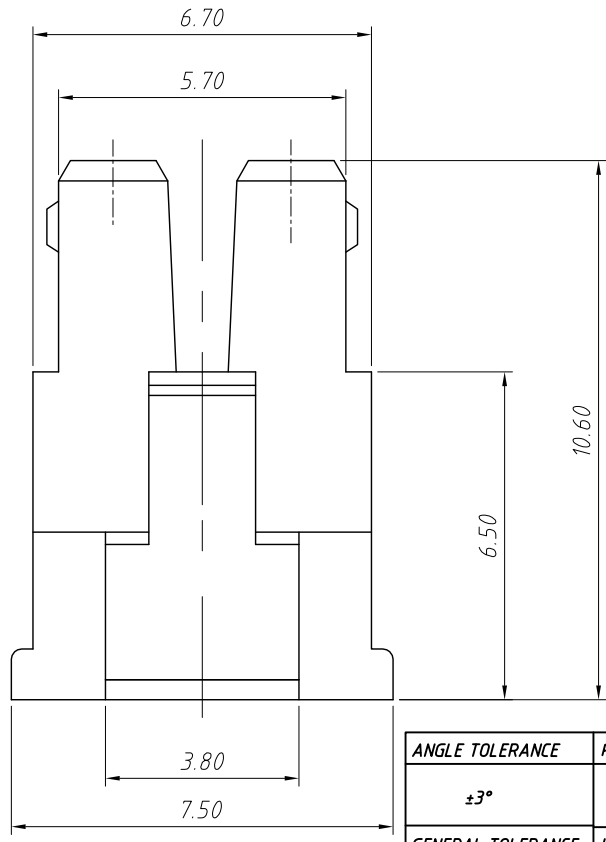
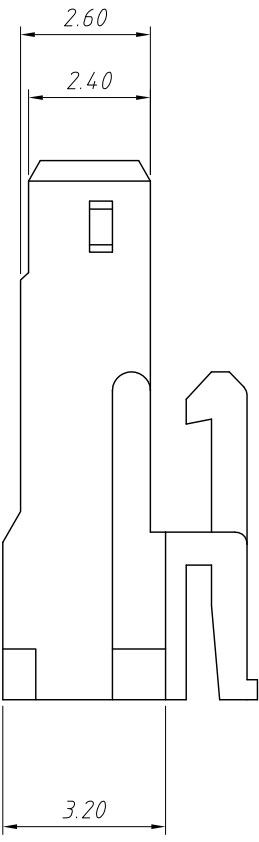
NingBo KLS ELECTRONIC CO.,LTD.

1
RoHS Compliance



Material:
Housing:PA66,UL 94V-0,Natural

Electrical Characteristics:
Rated Current:1.0AMP
Voltage rating:1400V AC,DC
Temperature range:-25°C ~ + 85°C
Insulator Resistance:1000MΩ Min
Withstanding Voltage:3800V AC/minute
Contact Resistance:10mΩ Max

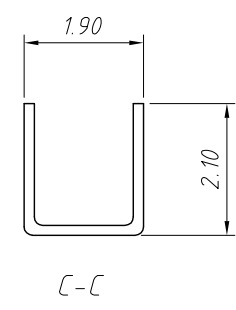
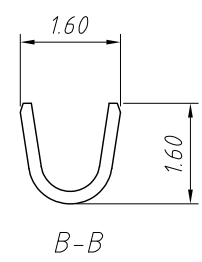
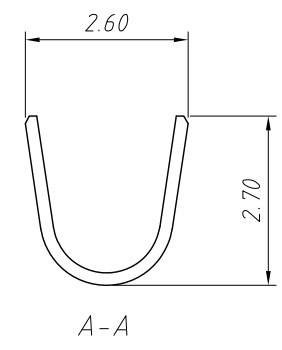
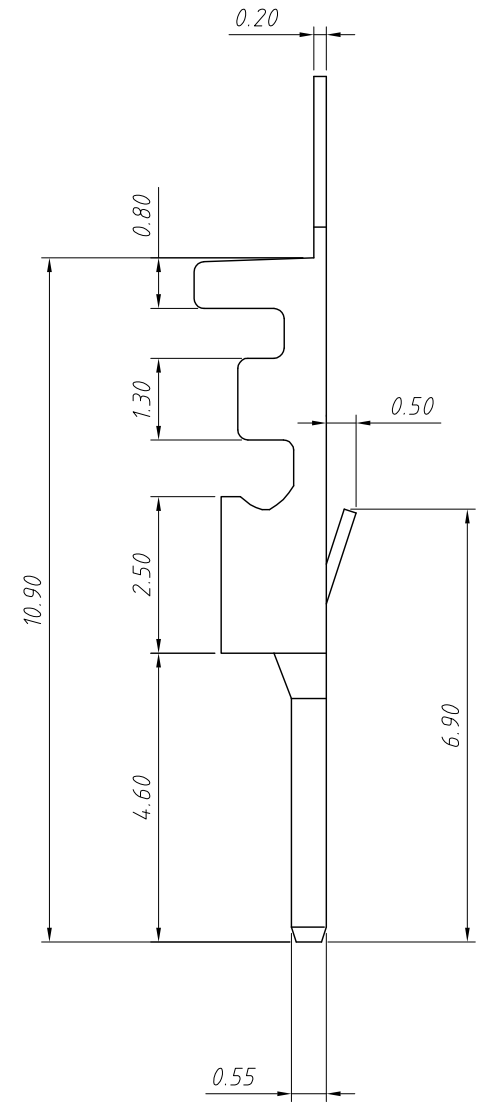
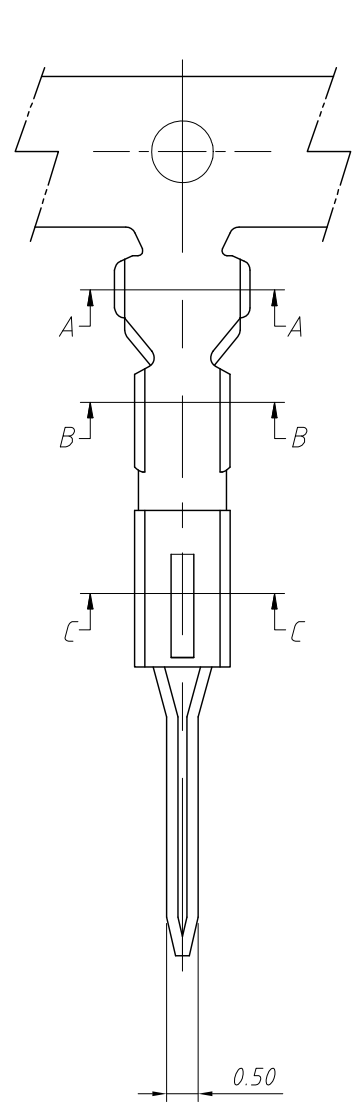


Order Information:
L-KLS1-BH-3.50-02-MH2

L: RoHS
Pitch:3.50mm
No. of 02 pins
Type:
FH1 / FH2-Female Hosing
MH1 / MH2-Male Hosing
FT-Female Terminal MT-Male Terminal
R-Right angle male pin
RM-Horizontal SMT Pin

ANGLE TOLERANCE	PROJECTION	Description:	3.50mm Pitch BHS Type Wire To Board Connector	
±3°				
GENERAL TOLERANCE	UNITS	mm	KLS P/N:	L-KLS1-BH-3.50-02-MH2
x.x ±0.30	SHEET SIZE	A4		
x.xx ±0.20	Draw:	Daniel	2021-01-11	NingBo KLS ELECTRONIC CO.,L TD.
x.xxx ±0.10	Check:	Daniel	2021-01-11	

1
RoHS Compliance



Material:
Terminal: Phosphor Bronze
Plating: Tin plated
Applicable wires: AWG #24 ~ #28
Insulation O.D: 1.8mm
Qty/reel: 5000 pcs

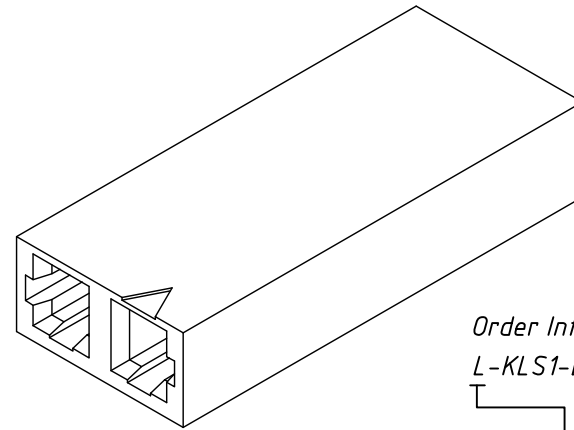
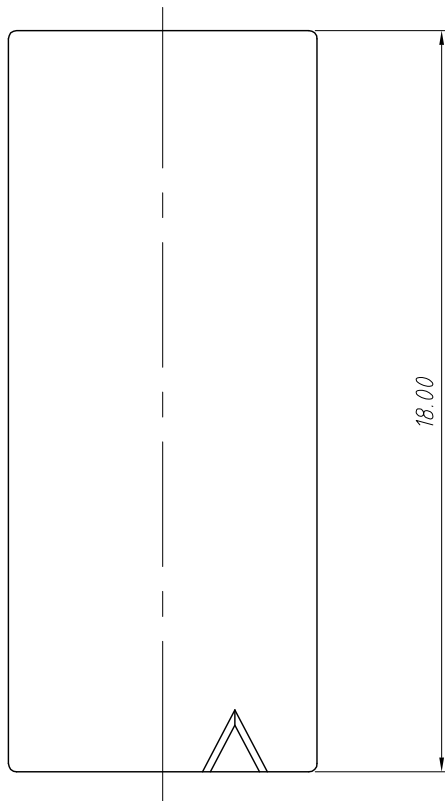
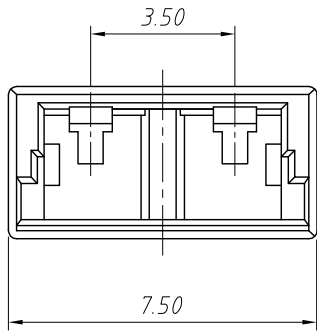
Electrical Characteristics:
Rated Current: 1.0AMP
Voltage rating: 1400V AC, DC
Temperature range: -25°C ~ +85°C
Insulator Resistance: 1000MΩ Min
Withstanding Voltage: 3800V AC/minute
Contact Resistance: 10mΩ Max

Order Information:
L-KLS1-BH-3.50-MT

L: RoHS
Pitch: 3.50mm
Type:
FH1 / FH2 - Female Hosing
MH1 / MH2 - Male Hosing
FT - Female Terminal MT - Male Terminal
R - Right angle male pin
RM - Horizontal SMT Pin

ANGLE TOLERANCE	PROJECTION	Description:		3.50mm Pitch BHS Type
±3°				Wire To Board Connector
GENERAL TOLERANCE	UNITS	mm	KLS P/N:	L-KLS1-BH-3.50-MT
x.x ±0.30	SHEET SIZE	A4		NingBo KLS ELECTRONIC CO.,L TD.
x.xx ±0.20	Draw:	Daniel	2021-01-11	
x.xxx ±0.10	Check:	Daniel	2021-01-11	

1
RoHS Compliance



Material:
Housing:PA66,UL 94V-0,Natural

Electrical Characteristics:
Rated Current:1.0AMP
Voltage rating:1400V AC,DC
Temperature range:-25°C ~ + 85°C
Insulator Resistance:1000MΩ Min
Withstanding Voltage:3800V AC/minute
Contact Resistance:10mΩ Max

Order Information:

L-KLS1-BH-3.50-02-FH1

L: RoHS

Pitch:3.50mm

No.of 02 pins

Type:

FH1 / FH2-Female Hosing

MH1 / MH2-Male Hosing

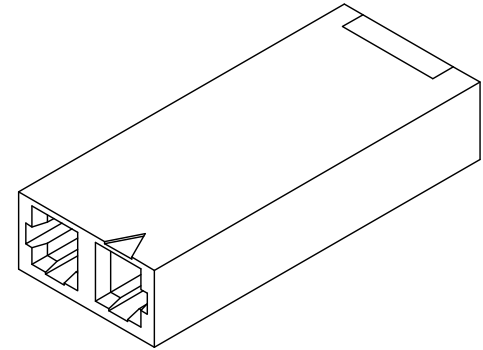
FT-Female Terminal MT-Male Terminal

R-Right angle male pin

RM-Horizontal SMT Pin

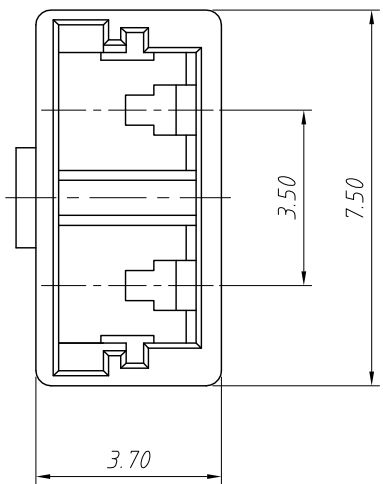
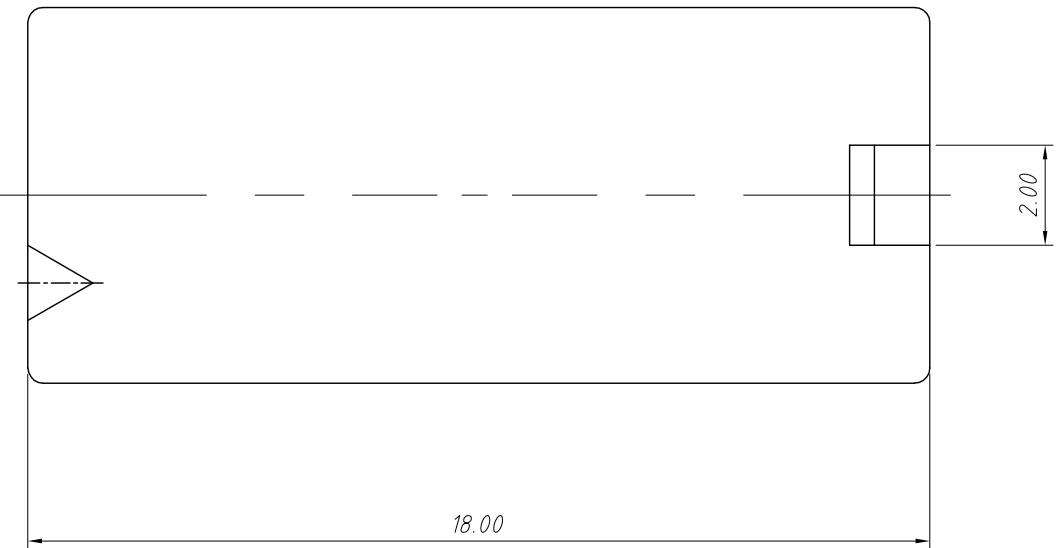
ANGLE TOLERANCE	PROJECTION	Description:	3.50mm Pitch BHS Type Wire To Board Connector
±3°			
GENERAL TOLERANCE	UNITS	mm	KLS P/N: L-KLS1-BH-3.50-02-FH1
x.x ±0.30	SHEET SIZE	A4	NingBo KLS ELECTRONIC CO.,L TD.
x.xx ±0.20	Draw:	Daniel 2021-01-11	
x.xxx ±0.10	Check:	Daniel 2021-01-11	

1
RoHS Compliance



Material:
Housing:PA66,UL 94 V-0,Natural

Electrical Characteristics:
Rated Current:1.0AMP
Voltage rating:1400V AC,DC
Temperature range:-25°C ~ + 85°C
Insulator Resistance:1000MΩ Min
Withstanding Voltage:3800V AC/minute
Contact Resistance:10mΩ Max

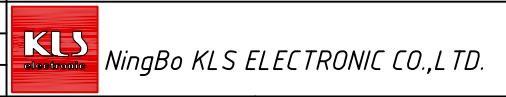


Order Information:
L-KLS1-BH-3.50-02-FH2

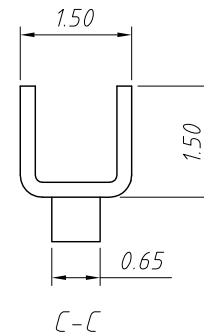
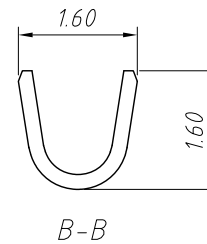
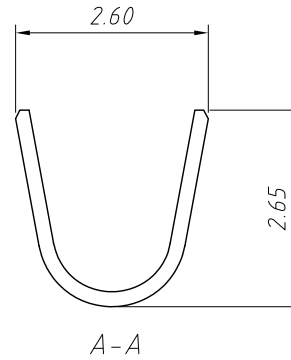
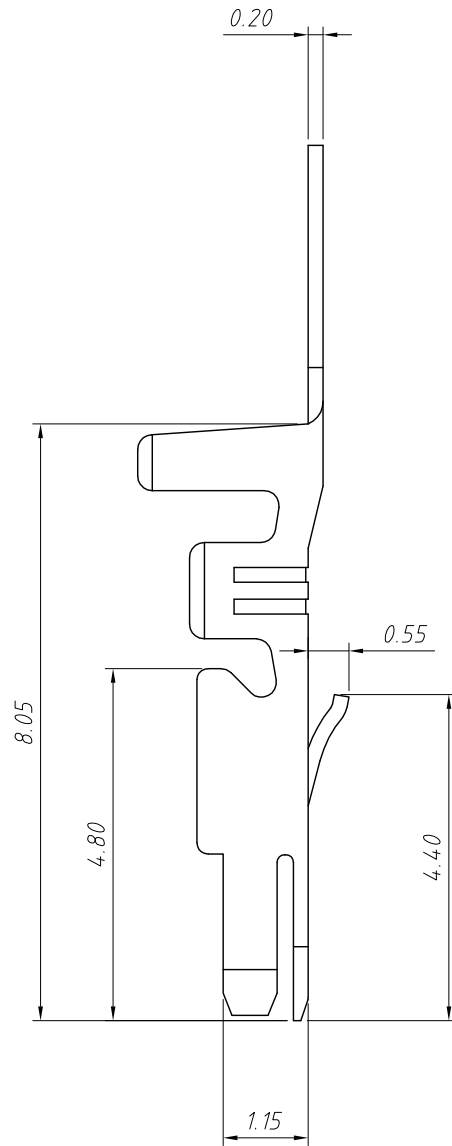
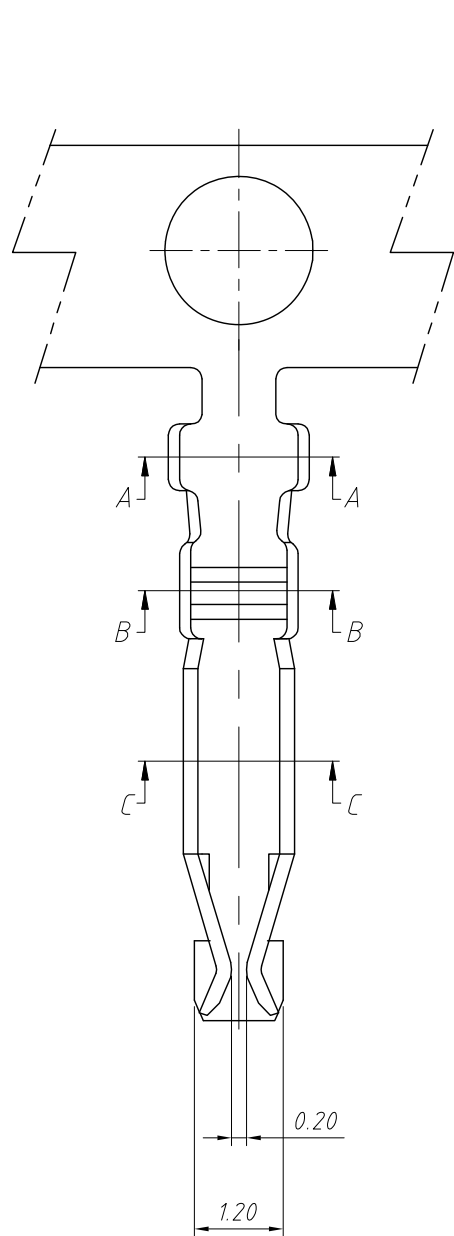
L: RoHS
Pitch:3.50mm
No. of 02 pins
Type:

FH1 / FH2-Female Hosing
MH1 / MH2-Male Hosing
FT-Female Terminal MT-Male Terminal
R-Right angle male pin
RM-Horizontal SMT Pin

ANGLE TOLERANCE	PROJECTION	Description:	3.50mm Pitch BHS Type
±3°			Wire To Board Connector
GENERAL TOLERANCE	UNITS	mm	KLS P/N:
x.x ±0.30	SHEET SIZE	A4	L-KLS1-BH-3.50-02-FH2
x.xx ±0.20	Draw:	Daniel	2021-01-11
x.xxx ±0.10	Check:	Daniel	2021-01-11



1 RoHS Compliance



Material:
 Terminal: Phosphor Bronze
 Plating: Tin plated
 Applicable wires: AWG #24 ~ # 28
 Insulation O.D: 1.6mm
 Qty/reel: 8000 pcs

Electrical Characteristics:
 Rated Current: 1.0AMP
 Voltage rating: 1400V AC, DC
 Temperature range: -25°C ~ + 85°C
 Insulator Resistance: 1000MΩ Min
 Withstanding Voltage: 3800V AC/minute
 Contact Resistance: 10mΩ Max

Order Information:
 L-KLS1-BH-3.50-FT

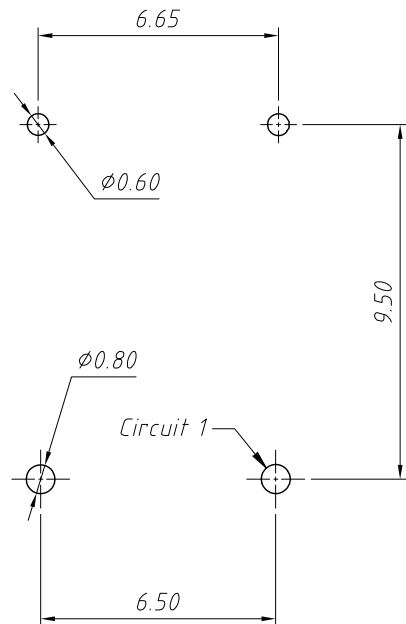
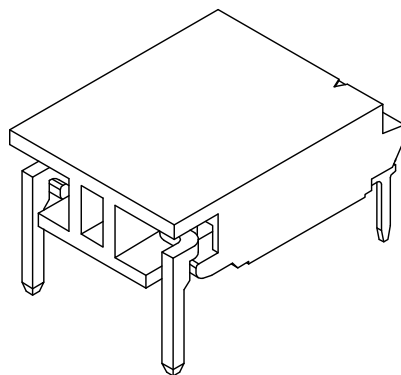
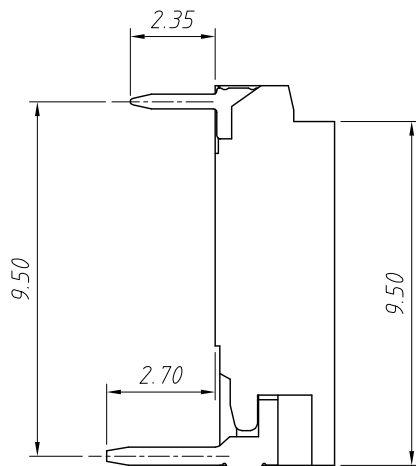
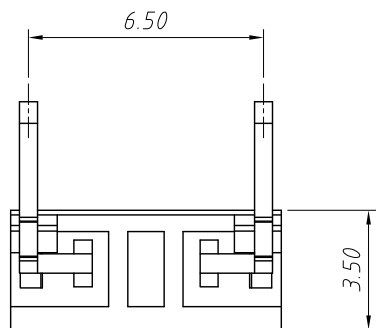
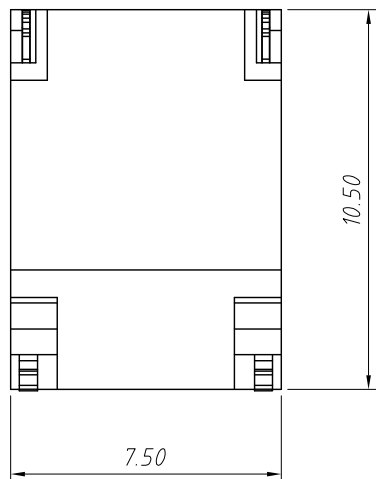
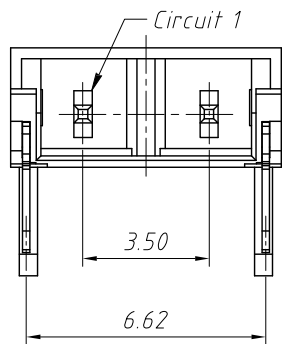
L: RoHS
 Pitch: 3.50mm
 Type:
 FH1 / FH2-Female Hosing
 MH1 / MH2-Male Hosing
 FT-Female Terminal MT-Male Terminal
 R-Right angle male pin
 RM-Horizontal SMT Pin

ANGLE TOLERANCE	PROJECTION	Description:	3.50mm Pitch BHS Type
±3°			Wire To Board Connector
GENERAL TOLERANCE	UNITS	mm	KLS P/N:
x.x ±0.30	SHEET SIZE	A4	L-KLS1-BH-3.50-FT
x.xx ±0.20	Draw:	Daniel	2021-01-11
x.xxx ±0.10	Check:	Daniel	2021-01-11



NingBo KLS ELECTRONIC CO.,L TD.

RoHS Compliance

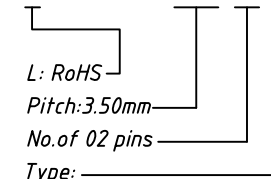


PCB LAYOUT

Material:
 Housing: PA6T, UL 94V-0, Black
 Contact: Brass
 Plating: Tin plate

Electrical Characteristics:
 Rated Current: 1.0AMP
 Voltage rating: 1400V AC, DC
 Temperature range: -25°C ~ +85°C
 Insulator Resistance: 1000MΩ Min
 Withstanding Voltage: 3800V AC/minute
 Contact Resistance: 10mΩ Max

Order Information:
 L-KLS1-BH-3.50-02-R



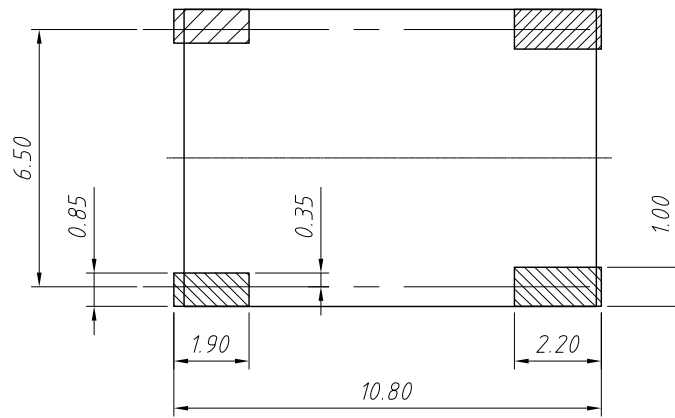
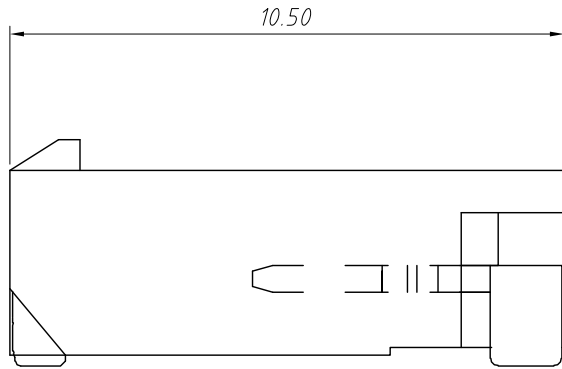
Type: _____
 FH1 / FH2-Female Hosing
 MH1 / MH2-Male Hosing
 FT-Female Terminal MT-Male Terminal
 R-Right angle male pin
 RM-Horizontal SMT Pin

ANGLE TOLERANCE	PROJECTION	Description:	3.50mm Pitch BHS Type
±3°			Wire To Board Connector
GENERAL TOLERANCE	UNITS	mm	KLS P/N:
x.x ±0.30	SHEET SIZE	A4	L-KLS1-BH-3.50-02-R
x.xx ±0.20	Draw:	Daniel	2021-01-11
x.xxx ±0.10	Check:	Daniel	2021-01-11



NingBo KLS ELECTRONIC CO.,LTD.

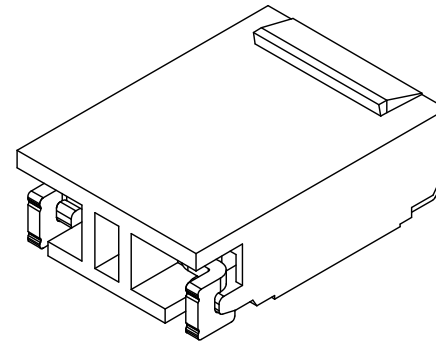
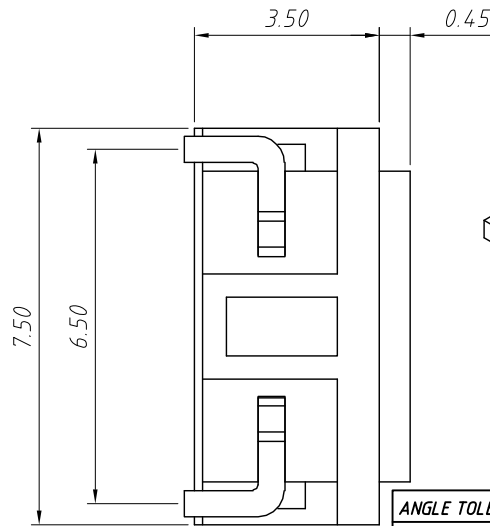
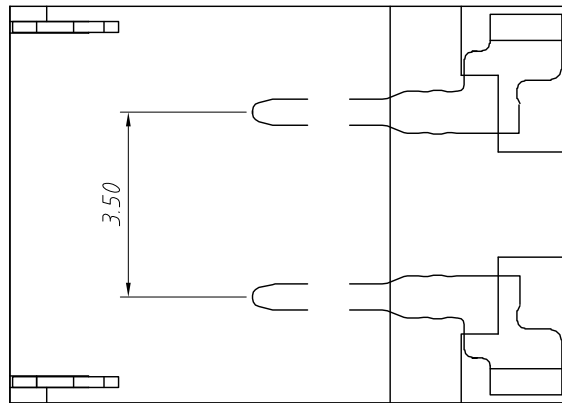
1 RoHS Compliance



PCB LAYOUT

Material:
 Housing:PA9T,UL 94V-0,Black
 Contact:Brass,Tin plate
 Solder Tabs:Phosphor Bronze,Tin plate

Electrical Characteristics:
 Rated Current:1.0AMP
 Voltage rating:14.00V AC,DC
 Temperature range:-25°C ~ + 85°C
 Insulator Resistance:1000MΩ Min
 Withstanding Voltage:3800V AC/minute
 Contact Resistance:10mΩ Max



Order Information:
 L-KLS1-BH-3.50-02-RM

L: RoHS
 Pitch:3.50mm
 No.of 02 pins
 Type: _____
 FH1 / FH2-Female Hosing
 MH1 / MH2-Male Hosing
 FT-Female Terminal
 MT-Male Terminal
 R-Right angle male pin
 RM-Horizontal SMT Pin

ANGLE TOLERANCE	PROJECTION	Description:	3.50mm Pitch BHS Type
±3°			Wire To Board Connector
GENERAL TOLERANCE	UNITS	mm	KLS P/N:
x.x ±0.30	SHEET SIZE	A4	L-KLS1-BH-3.50-02-RM
x.xx ±0.20	Draw:	Daniel	2021-01-11
x.xxx ±0.10	Check:	Daniel	2021-01-11



NingBo KLS ELECTRONIC CO.,LTD.