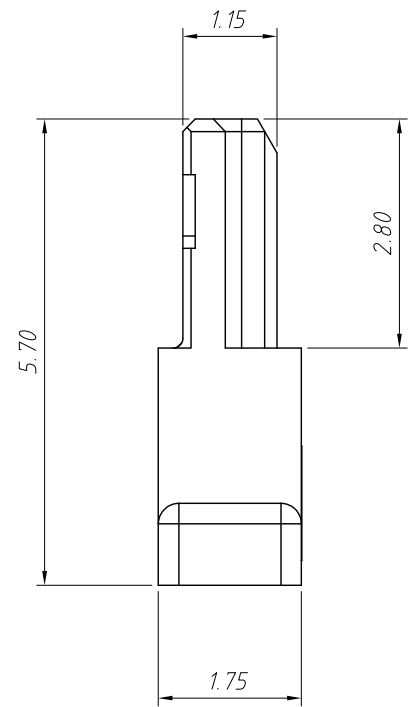
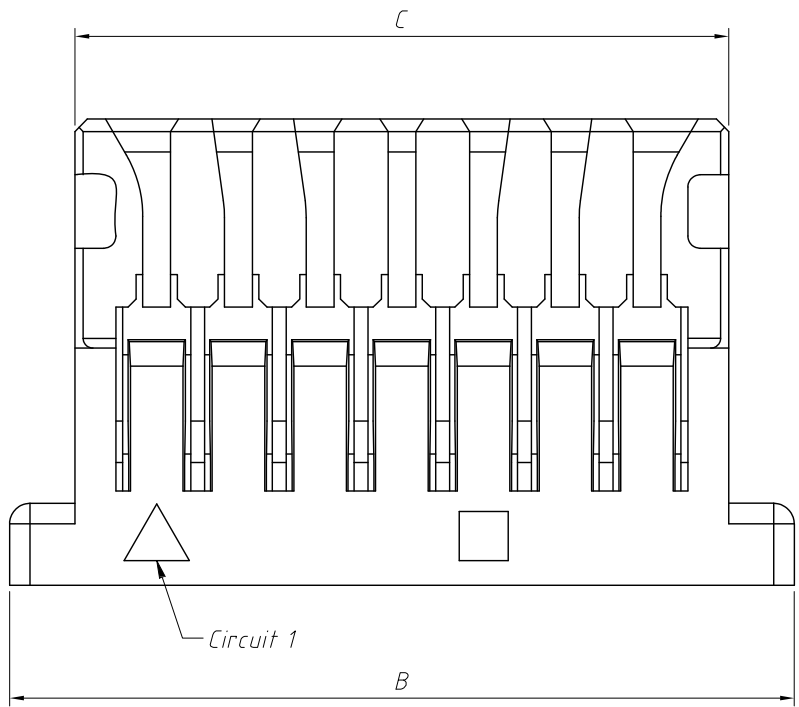
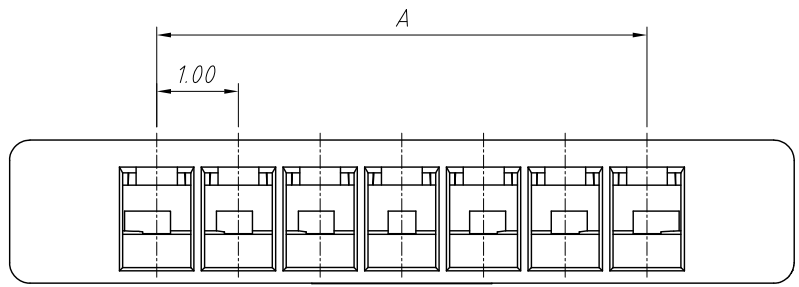


1  
RoHS Compliance



Poles	Dimensions(mm)		
	A	B	C
02	1.00	4.60	3.00
03	2.00	5.60	4.00
04	3.00	6.60	5.00
05	4.00	7.60	6.00
06	5.00	8.60	7.00
07	6.00	9.60	8.00
08	7.00	10.60	9.00
09	8.00	11.60	10.00
10	9.00	12.60	11.00
11	10.00	13.60	12.00
12	11.00	14.60	13.00
13	12.00	15.60	14.00
14	13.00	16.60	15.00
15	14.00	17.60	16.00
16	15.00	18.60	17.00
20	19.00	22.60	21.00
22	21.00	24.60	23.00
26	25.00	28.60	27.00
30	29.00	32.60	31.00



**Material:**

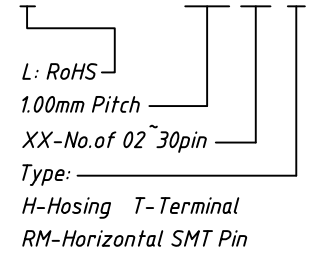
Housing:PA66 ,UL 94V-0,  
Colour:White

**Electrical Characteristics:**

Current rating:1.0A AC,DC  
Voltage rating:50V AC,DC  
Temperature range:-25°C ~ + 85°C  
Insulation resistance:100MΩ/Min.  
Withstanding voltage:500V AC/minute  
Contact resistance:20mΩ/Max.

**Order Information:**

L-KLS1-XF8-1.00-XX-H

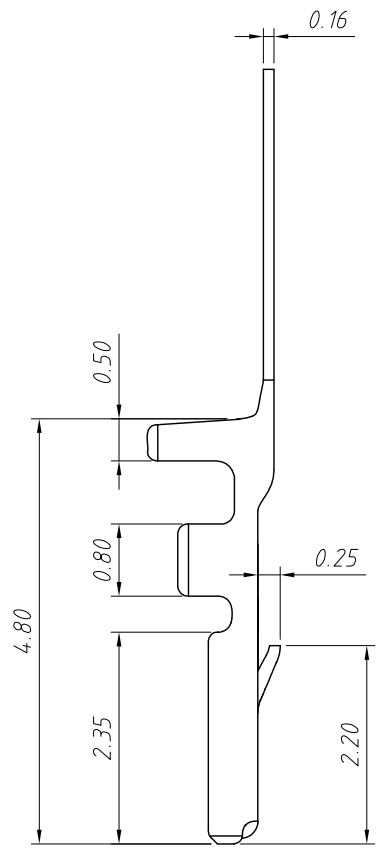
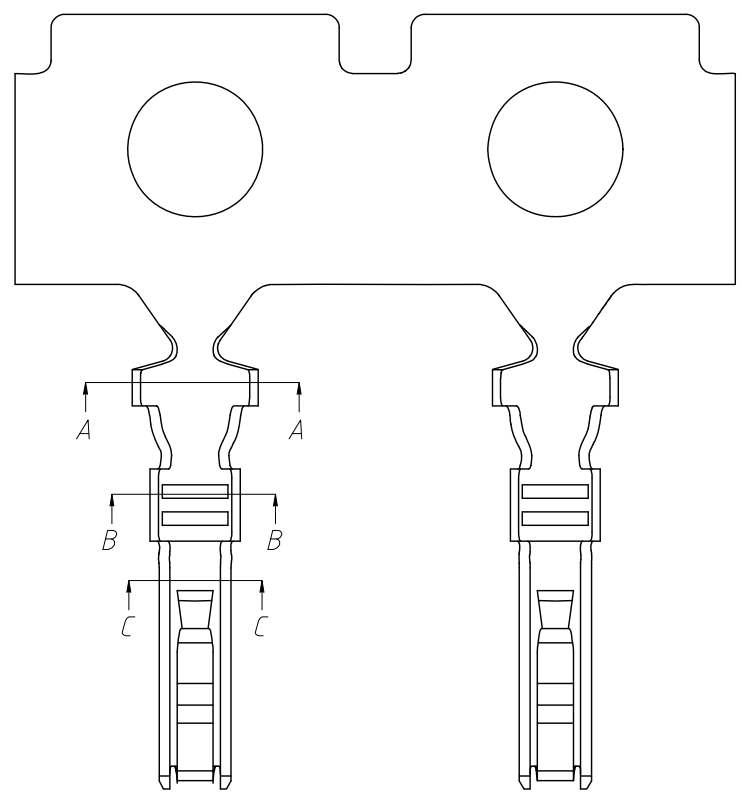


ANGLE TOLERANCE	PROJECTION	Description:
±3°		1.00mm Pitch SHL Wire to board connector
GENERAL TOLERANCE	UNITS	mm
x.x ±0.30	SHEET SIZE	A4
x.xx ±0.20	Draw:	Daniel 2020-11-11
x.xxx ±0.10	Check:	Daniel 2020-11-11



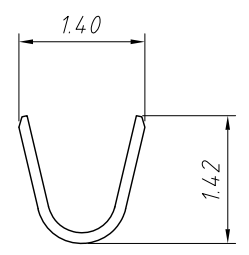
NingBo KLS ELECTRONIC CO.,L TD.

1  
RoHS Compliance

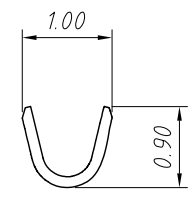


**Material:**  
 Terminal: Phosphor Bronze  
 Finish: Tin plated  
 Applicable wires: AWG #28 ~ #32  
 Insulation O.D.: 0.8mm Max.  
 Qty/reel: 15000PCS

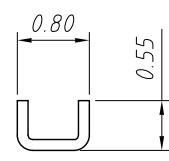
**Electrical Characteristics:**  
 Current rating: 1.0A AC,DC  
 Voltage rating: 50V AC,DC  
 Temperature range: -25°C ~ +85°C  
 Insulation resistance: 100MΩ/Min.  
 Withstanding voltage: 500V AC/minute  
 Contact resistance: 20mΩ/Max.



SECTION A-A



SECTION B-B



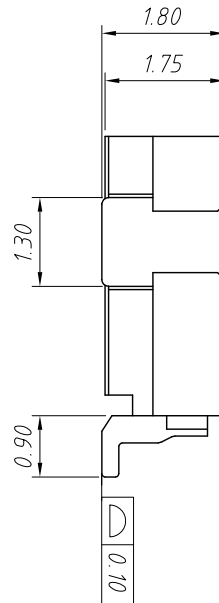
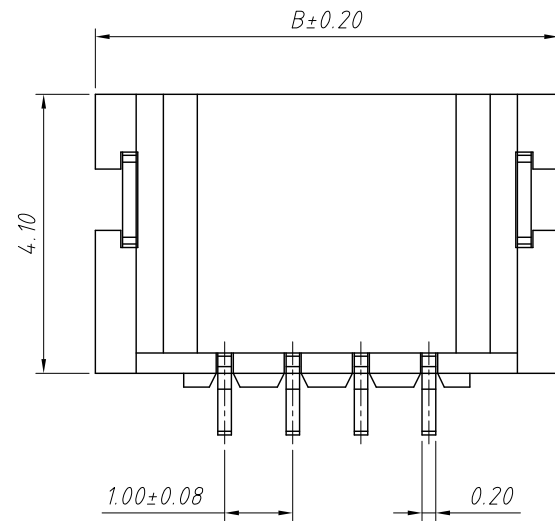
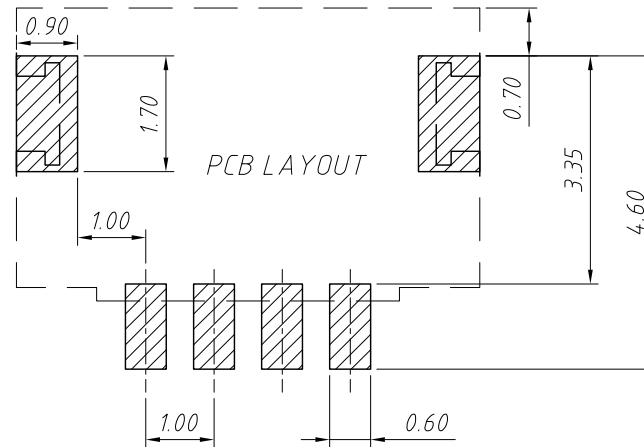
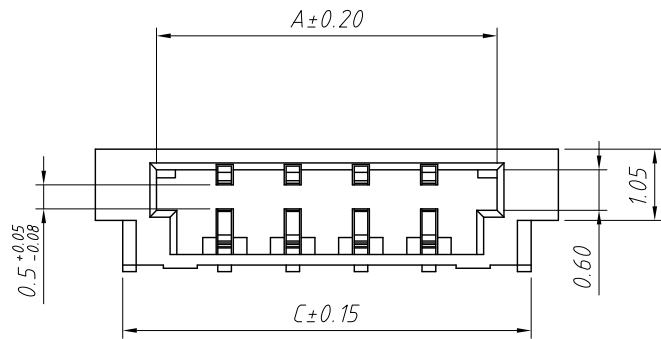
SECTION C-C

**Order Information:**  
 L-KLS1-XF8-1.00-T

L: RoHS  
 1.00mm Pitch  
 Type: \_\_\_\_\_  
 H-Hosing T-Terminal  
 RM-Horizontal SMT Pin

ANGLE TOLERANCE	PROJECTION	Description:	1.00mm Pitch SHL
±3°			Wire to board connector
GENERAL TOLERANCE	UNITS	mm	KLS P/N: L-KLS1-XF8-1.00-T
x.x ±0.30	SHEET SIZE	A4	NingBo KLS ELECTRONIC CO.,L TD.
x.xx ±0.20	Draw:	Daniel 2020-11-11	
x.xxx ±0.10	Check:	Daniel 2020-11-11	

1 RoHS Compliance



Poles	Dimensions(mm)		
	A	B	C
02	1.00	4.60	3.00
03	2.00	5.60	4.00
04	3.00	6.60	5.00
05	4.00	7.60	6.00
06	5.00	8.60	7.00
07	6.00	9.60	8.00
08	7.00	10.60	9.00
09	8.00	11.60	10.00
10	9.00	12.60	11.00
11	10.00	13.60	12.00
12	11.00	14.60	13.00
13	12.00	15.60	14.00
14	13.00	16.60	15.00
15	14.00	17.60	16.00
16	15.00	18.60	17.00
20	16.00	19.60	18.00
22	17.00	20.60	19.00
26	18.00	21.60	20.00
30	19.00	22.60	21.00

**Material:**  
 Wafer:PA9T,UL 94V-0,Colour:Natural  
 Pin:Phosphor Bronze  
 Solder Tabs:Phosphor Bronze  
 Finish:Matte Tin Plated,Gold-flash

**Electrical Characteristics:**  
 Current rating:1.0A AC,DC  
 Voltage rating:50V AC,DC  
 Temperature range:-25°C ~ + 85°C  
 Insulation resistance:100MΩ/Min.  
 Withstanding voltage:500V AC/minute  
 Contact resistance:20mΩ/Max.

**Order Information:**  
 L-KLS1-XF8-1.00-XX-RM  
 L: RoHS  
 1.00mm Pitch  
 XX-No. of 02~30pin  
 Type:  
 H-Hosing T-Terminal  
 RM-Horizontal SMT Pin

ANGLE TOLERANCE	PROJECTION	Description:	1.00mm Pitch SHL Wire to board connector
±3°			
GENERAL TOLERANCE	UNITS	mm	KLS P/N:
x.x ±0.30	SHEET SIZE	A4	L-KLS1-XF8-1.00-XX-RM
x.xx ±0.20	Draw:	Daniel	2020-11-11
x.xxx ±0.10	Check:	Daniel	2020-11-11



NingBo KLS ELECTRONIC CO.,LTD.