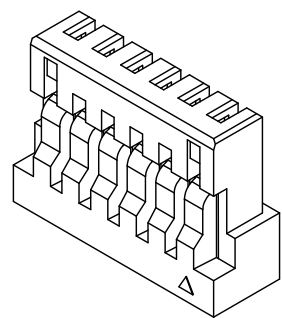
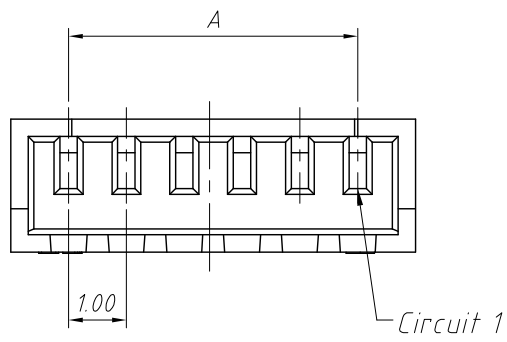
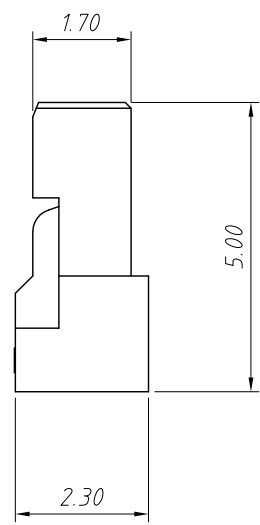
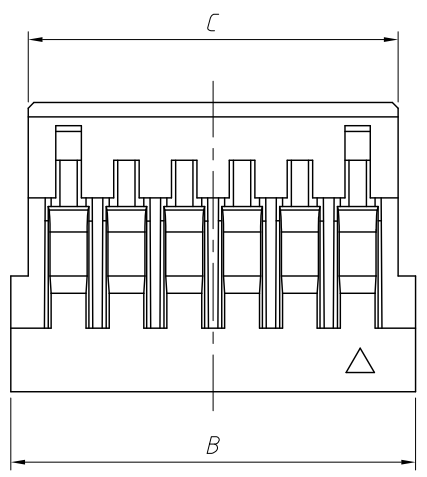


1  
RoHS Compliance



**Material:**  
Housing:PA66 ,UL 94V-0,  
Colour:Natural

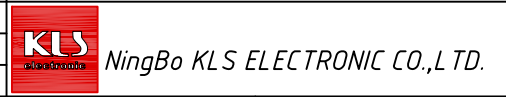
**Electrical Characteristics:**  
Current rating:1.0A AC,DC  
Voltage rating:50V AC,DC  
Temperature range:-25°C ~ + 85°C  
Insulation resistance:100MΩ/Min.  
Withstanding voltage:500V AC/minute  
Contact resistance:20mΩ/Max.



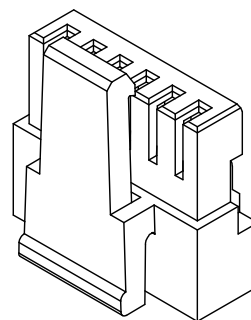
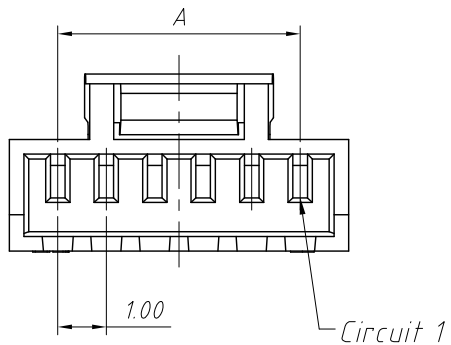
Pins	Dimensions(mm)		
	A	B	C
02	1.00	3.00	2.40
03	2.00	4.00	3.40
04	3.00	5.00	4.40
05	4.00	6.00	5.40
06	5.00	7.00	6.40
07	6.00	8.00	7.40
08	7.00	9.00	8.40
09	8.00	10.00	9.40
10	9.00	11.00	10.40
11	10.00	12.00	11.40
12	11.00	13.00	12.40
13	12.00	14.00	13.40
14	13.00	15.00	14.40
15	14.00	16.00	15.40
16	15.00	17.00	16.40
17	16.00	18.00	17.40
18	17.00	19.00	18.40
19	18.00	20.00	19.40
20	19.00	21.00	20.40

**Order Information:**  
L-KLS1-XF4-1.00-XX-H  
 L: RoHS  
 1.00mm Pitch  
 XX-No. of 02 ~ 20pin  
 Type:H-Hosing  
 H2-Hosing T-Terminal  
 VM-Vertical SMT Pin  
 RM-Horizontal SMT Pin

ANGLE TOLERANCE		PROJECTION		Description:	
±3°				1.00mm Pitch wire to board connector	
GENERAL TOLERANCE		UNITS	mm	KLS P/N:	
x.x ±0.30		SHEET SIZE		A4	
x.xx ±0.20		Draw:		Daniel 2020-11-11	
x.xxx ±0.10		Check:		Daniel 2020-11-11	

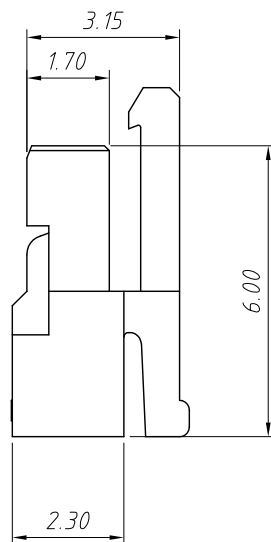
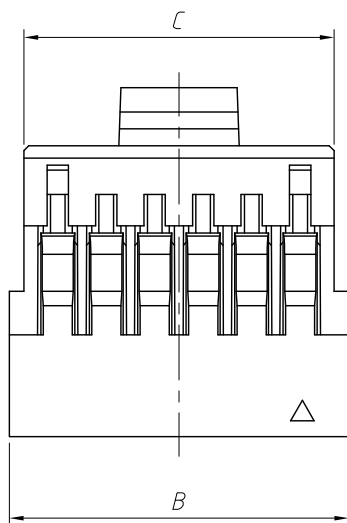


1  
RoHS Compliance



**Material:**  
Housing:PA66 ,UL 94V-0,  
Colour:Natural

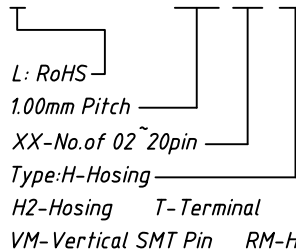
**Electrical Characteristics:**  
Current rating:1.0A AC,DC  
Voltage rating:50V AC,DC  
Temperature range:-25°C ~ + 85°C  
Insulation resistance:100MΩ/Min.  
Withstanding voltage:500V AC/minute  
Contact resistance:20mΩ/Max.



Pins	Dimensions(mm)		
	A	B	C
02	1.00	3.00	2.40
03	2.00	4.00	3.40
04	3.00	5.00	4.40
05	4.00	6.00	5.40
06	5.00	7.00	6.40
07	6.00	8.00	7.40
08	7.00	9.00	8.40
09	8.00	10.00	9.40
10	9.00	11.00	10.40
11	10.00	12.00	11.40
12	11.00	13.00	12.40
13	12.00	14.00	13.40
14	13.00	15.00	14.40
15	14.00	16.00	15.40
16	15.00	17.00	16.40
17	16.00	18.00	17.40
18	17.00	19.00	18.40
19	18.00	20.00	19.40
20	19.00	21.00	20.40

**Order Information:**

L-KLS1-XF4-1.00-XX-H2



L: RoHS

1.00mm Pitch

XX-No. of 02 ~ 20pin

Type:H-Hosing

H2-Hosing T-Terminal

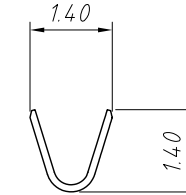
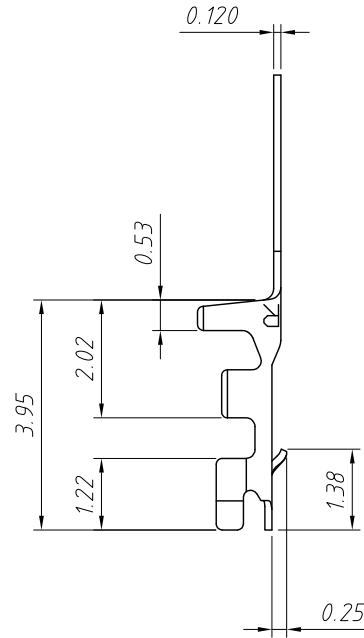
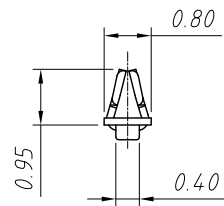
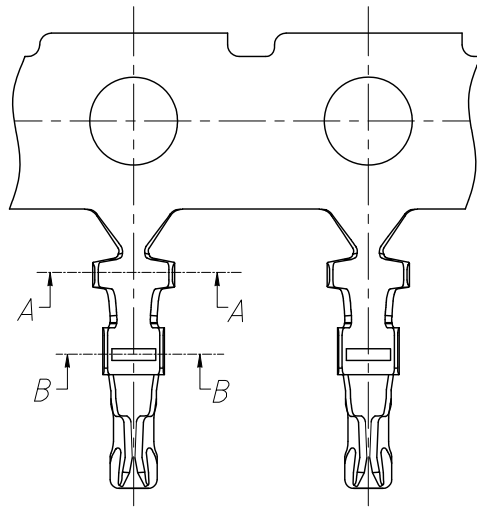
VM-Vertical SMT Pin RM-Horizontal SMT Pin

ANGLE TOLERANCE		PROJECTION		Description:	
±3°				1.00mm Pitch wire to board connector	
GENERAL TOLERANCE		UNITS	mm	KLS P/N:	L-KLS1-XF4-1.00-XX-H2
x.x	±0.30	SHEET SIZE	A4		
x.xx	±0.20	Draw:	Daniel	2020-11-11	
x.xxx	±0.10	Check:	Daniel	2020-11-11	

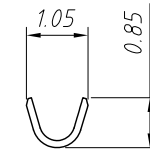


NingBo KLS ELECTRONIC CO.,LTD.

1 RoHS Compliance



SEC:A-A



SEC:B-B

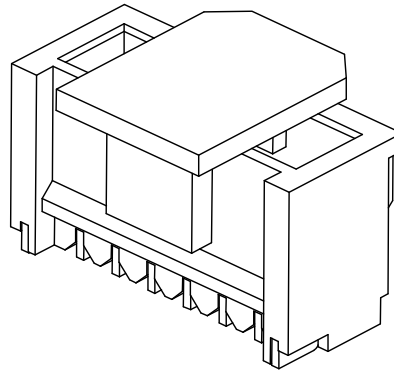
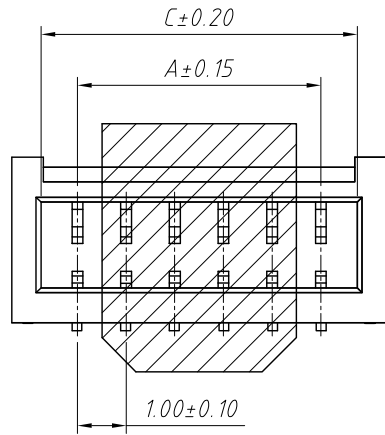
**Material:**  
 Terminal: Phosphor Bronze  
 Plating: Tin plated over Gold plated  
 Wire Range: AWG#28-#32

**Electrical Characteristics:**  
 Current rating: 1.0A AC,DC  
 Voltage rating: 50V AC,DC  
 Temperature range: -25°C ~ +85°C  
 Insulation resistance: 100MΩ/Min.  
 Withstanding voltage: 500V AC/minute  
 Contact resistance: 20mΩ/Max.

**Order Information:**  
 L-KLS1-XF4-1.00-T  
 L: RoHS  
 1.00mm Pitch  
 XX-No. of 02~20pin  
 Type: H-Hosing T-Terminal  
 H2-Hosing VM-Vertical SMT Pin  
 RM-Horizontal SMT Pin

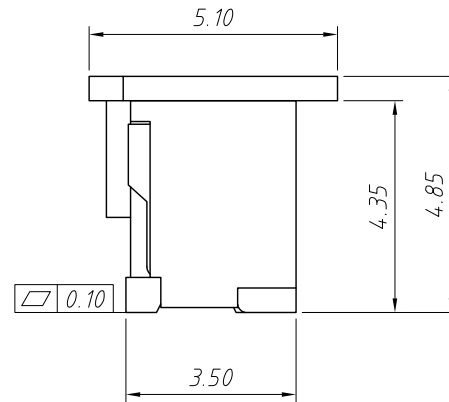
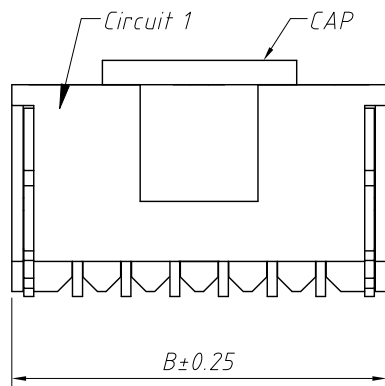
ANGLE TOLERANCE	PROJECTION	Description:		
±3°		1.00mm pitch Crimp Terminal		
GENERAL TOLERANCE	UNITS	mm	KLS P/N:	L-KLS1-XF4-1.00-T
x.x ±0.30	SHEET SIZE	A4		
x.xx ±0.20	Draw:	Daniel	2020-11-11	
x.xxx ±0.10	Check:	Daniel	2020-11-11	
			NingBo KLS ELECTRONIC CO.,LTD.	

1 RoHS Compliance



Material:  
 Housing: PA9T, UL 94V-0,  
 Colour: Natural  
 Contact : Phosphor Bronze  
 Plating: Matte Tin plated over Nickel

Electrical Characteristics:  
 Current rating: 1.0A AC,DC  
 Voltage rating: 125V AC,DC  
 Temperature range: -25°C ~ +85°C  
 Insulation resistance: 100MΩ/Min.  
 Withstanding voltage: 500V AC/minute  
 Contact resistance: 20mΩ/Max.



Order Information:

L-KLS1-XF4-1.00-XX-VM

L: RoHS

1.00mm Pitch

XX-No. of 02 ~ 20pin

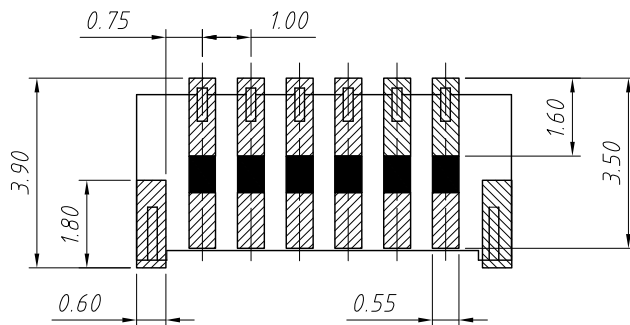
Type: H-Hosing

H2-Hosing T-Terminal

VM-Vertical SMT Pin

RM-Horizontal SMT Pin

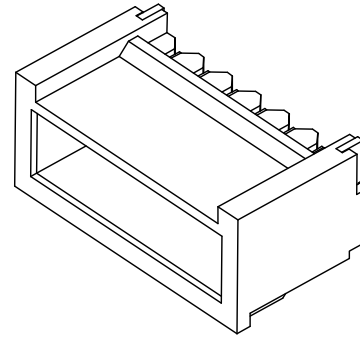
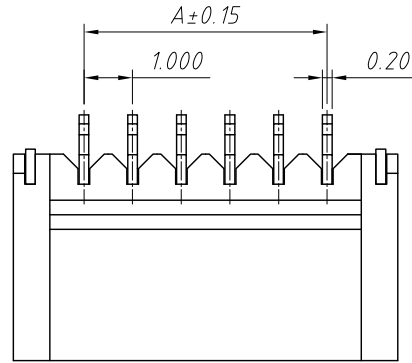
Pins	Dimensions(mm)		
	A	B	C
02	1.00	3.70	2.50
03	2.00	4.70	3.50
04	3.00	5.70	4.50
05	4.00	6.70	5.50
06	5.00	7.70	6.50
07	6.00	8.70	7.50
08	7.00	9.70	8.50
09	8.00	10.70	9.50
10	9.00	11.70	10.50
11	10.00	12.70	11.50
12	11.00	13.70	12.50
13	12.00	14.70	13.50
14	13.00	15.70	14.50
15	14.00	16.70	15.50
16	15.00	17.70	16.50
17	16.00	18.70	17.50
18	17.00	19.70	18.50
19	18.00	20.70	19.50
20	19.00	21.70	20.50



Recommended PCB Layout  
 General Tolerance ±0.05

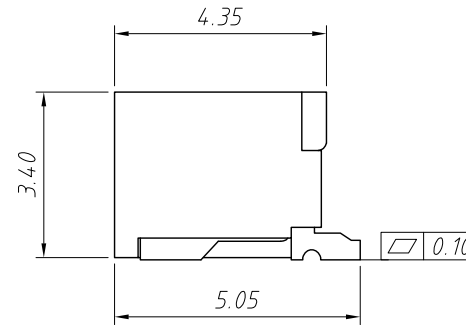
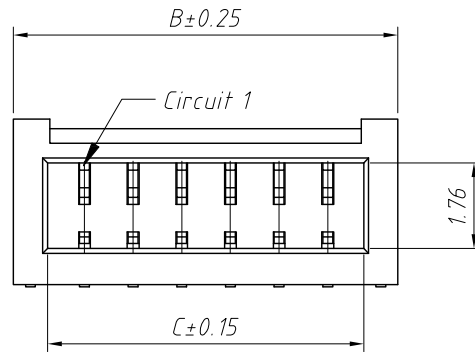
ANGLE TOLERANCE	PROJECTION	Description:
±3°		1.00mm Pitch wire to board connector
GENERAL TOLERANCE	UNITS	mm
x.x ±0.30	SHEET SIZE	A4
x.xx ±0.20	Draw:	Daniel 2020-11-11
x.xxx ±0.10	Check:	Daniel 2020-11-11
		KLS NingBo KLS ELECTRONIC CO.,L TD.

1 RoHS Compliance

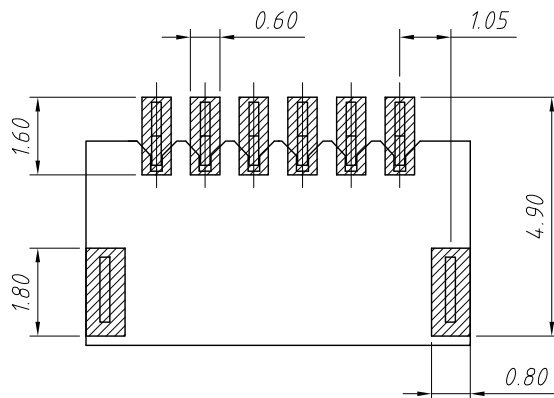


**Material:**  
 Housing: PA9T, UL 94V-0,  
 Colour: Natural  
 Contact: Phosphor Bronze  
 Plating: Matte Tin plated over Nickel

**Electrical Characteristics:**  
 Current rating: 1.0A AC, DC  
 Voltage rating: 125V AC, DC  
 Temperature range: -25°C ~ +85°C  
 Insulation resistance: 100MΩ/Min.  
 Withstanding voltage: 500V AC/minute  
 Contact resistance: 20mΩ/Max.



Pins	Dimensions (mm)		
	A	B	C
02	1.00	3.90	2.50
03	2.00	4.90	3.50
04	3.00	5.90	4.50
05	4.00	6.90	5.50
06	5.00	7.90	6.50
07	6.00	8.90	7.50
08	7.00	9.90	8.50
09	8.00	10.90	9.50
10	9.00	11.90	10.50
11	10.00	12.90	11.50
12	11.00	13.90	12.50
13	12.00	14.90	13.50
14	13.00	15.90	14.50
15	14.00	16.90	15.50
16	15.00	17.90	16.50
17	16.00	18.90	17.50
18	17.00	19.90	18.50
19	18.00	20.90	19.50
20	19.00	21.90	20.50



Recommended PCB Layout  
 General Tolerance ±0.05

**Order Information:**

L-KLS1-XF4-1.00-XX-RM

L: RoHS  
 1.00mm Pitch  
 XX-No. of 02 ~ 20pin  
 Type: H-Hosing  
 H2-Hosing T-Terminal  
 VM-Vertical SMT Pin RM-Horizontal SMT Pin

ANGLE TOLERANCE	PROJECTION	Description:
±3°		1.00mm Pitch wire to board connector
GENERAL TOLERANCE	UNITS	mm
x.x ±0.30	SHEET SIZE	A4
x.xx ±0.20	Draw:	Daniel 2020-11-11
x.xxx ±0.10	Check:	Daniel 2020-11-11



NingBo KLS ELECTRONIC CO., L TD.