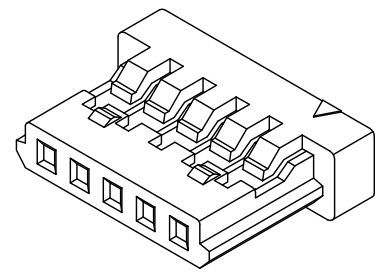
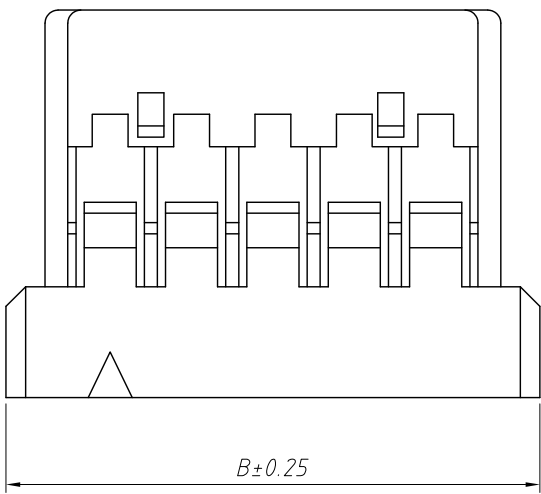
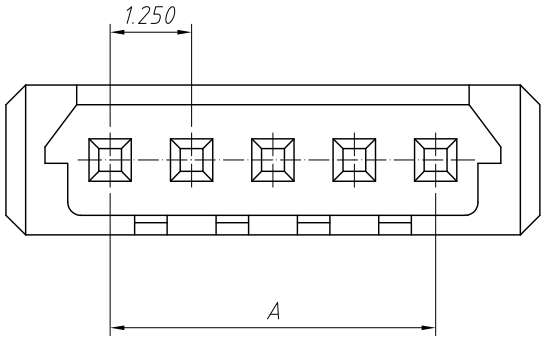


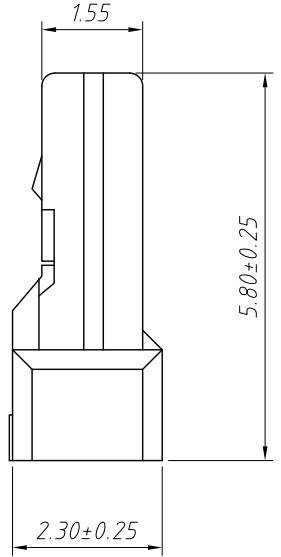
1
RoHS Compliance



Material:
Housing: PA66 ,UL 94 V-0

Electrical Characteristics:
Current rating: 1.0A AC,DC
Voltage rating: 150V AC,DC
Temperature range: -25°C ~ + 85°C
Insulation resistance: 500MΩ/Min.
Withstanding voltage: 500V AC/minute
Contact resistance: 30mΩ/Max.

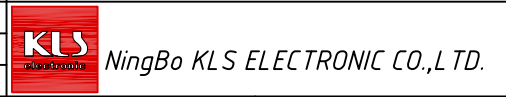
| Pin | Dimensions(mm) | |
|-----|----------------|-------|
| | A | B |
| 02 | 1.25 | 4.50 |
| 03 | 2.50 | 5.75 |
| 04 | 3.75 | 7.00 |
| 05 | 5.00 | 8.25 |
| 06 | 15.70 | 9.50 |
| 07 | 6.25 | 10.75 |
| 08 | 7.50 | 12.00 |
| 09 | 8.75 | 13.25 |
| 10 | 10.00 | 14.50 |
| 11 | 11.25 | 15.75 |
| 12 | 13.75 | 17.00 |
| 13 | 15.00 | 18.25 |
| 14 | 16.25 | 19.50 |
| 15 | 17.50 | 20.75 |
| 20 | 23.75 | 27.00 |
| 25 | 30.00 | 33.25 |
| 30 | 36.25 | 39.50 |



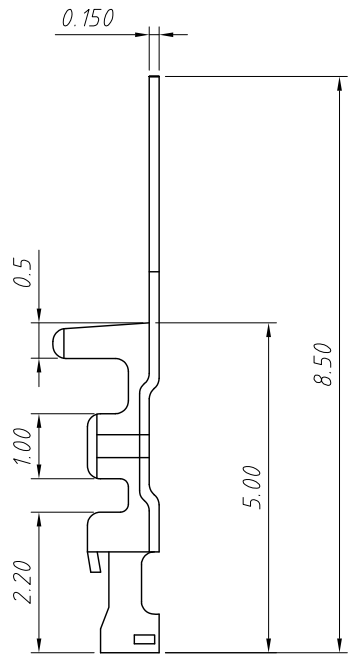
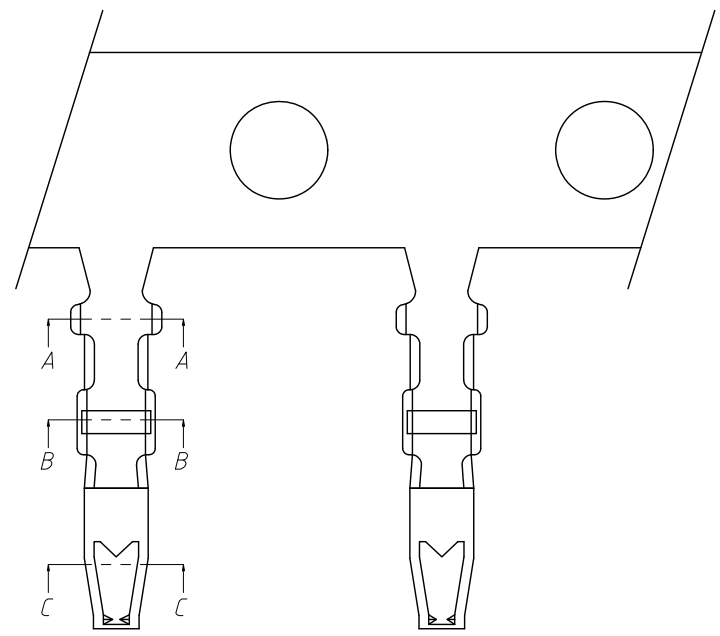
Order Information:
L-KLS1-XL5-1.25-XX-H

L: RoHS
Pitch: 1.25mm
XX-No. of 02 ~ 30 pins
Type: H-Housing T-Terminal RM-SMT Male pin

| | | | |
|-------------------|------------|--------------|-------------------------|
| ANGLE TOLERANCE | PROJECTION | Description: | 1.25mm Pitch DF14 type |
| ±3° | | | Wire to board connector |
| GENERAL TOLERANCE | UNITS | mm | KLS P/N: |
| x.x ±0.30 | SHEET SIZE | A4 | L-KLS1-XL5-1.25-XX-H |
| x.xx ±0.20 | Draw: | Daniel | 2020-11-11 |
| x.xxx ±0.10 | Check: | Daniel | 2020-11-11 |

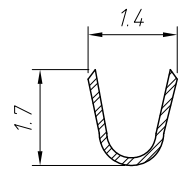


1
RoHS Compliance

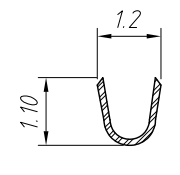


Material:
 Terminal: Phosphor Bronze
 Plating: Tin plated
 Applicable wires: AWG #28 ~ #32
 Insulation O.D.: 1.00mm Max
 Q'ty/reel: 10000 pcs

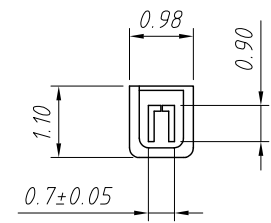
Electrical Characteristics:
 Current rating: 1.0A AC, DC
 Voltage rating: 150V AC, DC
 Temperature range: -25°C ~ +85°C
 Insulation resistance: 500MΩ/Min.
 Withstanding voltage: 500V AC/minute
 Contact resistance: 30mΩ/Max.



SECTION A-A



SECTION B-B



SECTION C-C

Order Information:
 L-KLS1-XL5-1.25-T

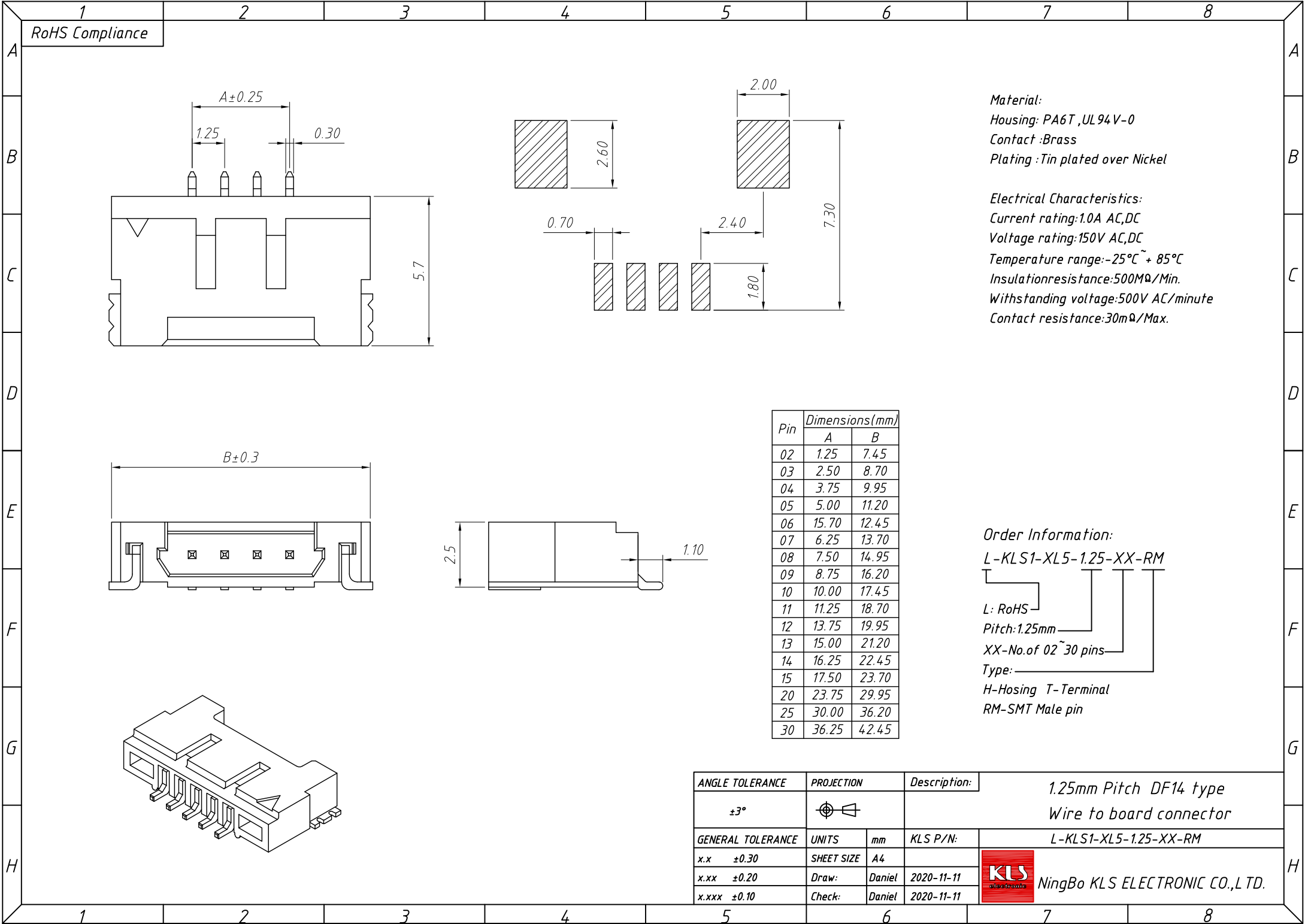
L: RoHS
 Pitch: 1.25mm
 Type: H-Hosing T-Terminal
 RM-SMT Male pin

| | | | |
|-------------------|------------|--------------|-------------------------|
| ANGLE TOLERANCE | PROJECTION | Description: | 1.25mm Pitch DF14 type |
| ±3° | | | Wire to board connector |
| GENERAL TOLERANCE | UNITS | mm | KLS P/N: |
| x.x ±0.30 | SHEET SIZE | A4 | L-KLS1-XL5-1.25-T |
| x.xx ±0.20 | Draw: | Daniel | 2020-11-11 |
| x.xxx ±0.10 | Check: | Daniel | 2020-11-11 |



NingBo KLS ELECTRONIC CO.,L TD.

1
RoHS Compliance



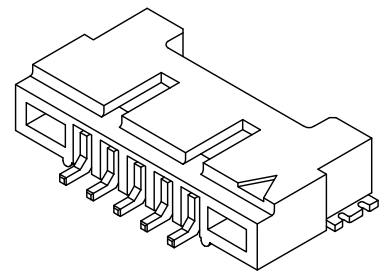
Material:
Housing: PA6T ,UL 94 V-0
Contact :Brass
Plating :Tin plated over Nickel

Electrical Characteristics:
Current rating:1.0A AC,DC
Voltage rating:150V AC,DC
Temperature range:-25°C ~ + 85°C
Insulation resistance:500M Ω /Min.
Withstanding voltage:500V AC/minute
Contact resistance:30m Ω /Max.

| Pin | Dimensions(mm) | |
|-----|----------------|-------|
| | A | B |
| 02 | 1.25 | 7.45 |
| 03 | 2.50 | 8.70 |
| 04 | 3.75 | 9.95 |
| 05 | 5.00 | 11.20 |
| 06 | 15.70 | 12.45 |
| 07 | 6.25 | 13.70 |
| 08 | 7.50 | 14.95 |
| 09 | 8.75 | 16.20 |
| 10 | 10.00 | 17.45 |
| 11 | 11.25 | 18.70 |
| 12 | 13.75 | 19.95 |
| 13 | 15.00 | 21.20 |
| 14 | 16.25 | 22.45 |
| 15 | 17.50 | 23.70 |
| 20 | 23.75 | 29.95 |
| 25 | 30.00 | 36.20 |
| 30 | 36.25 | 42.45 |

Order Information:
L-KLS1-XL5-1.25-XX-RM

L: RoHS
Pitch:1.25mm
XX-No. of 02 ~ 30 pins
Type:
H-Hosing T-Terminal
RM-SMT Male pin



| ANGLE TOLERANCE | PROJECTION | Description: |
|-------------------|------------|---|
| $\pm 3^\circ$ | | 1.25mm Pitch DF14 type Wire to board connector |
| GENERAL TOLERANCE | UNITS | mm |
| x.x ± 0.30 | SHEET SIZE | A4 |
| x.xx ± 0.20 | Draw: | Daniel 2020-11-11 |
| x.xxx ± 0.10 | Check: | Daniel 2020-11-11 |

L-KLS1-XL5-1.25-XX-RM

NingBo KLS ELECTRONIC CO.,L TD.