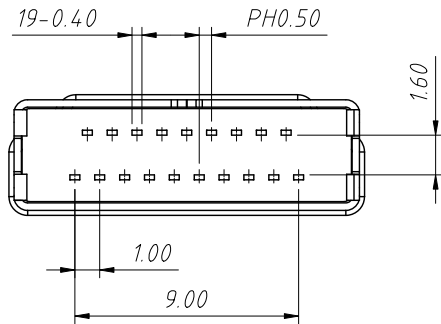


1 RoHS Compliance



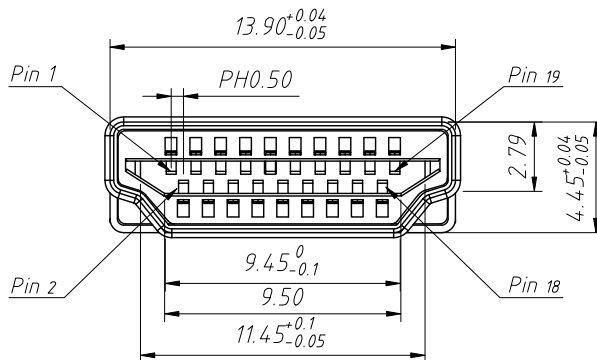
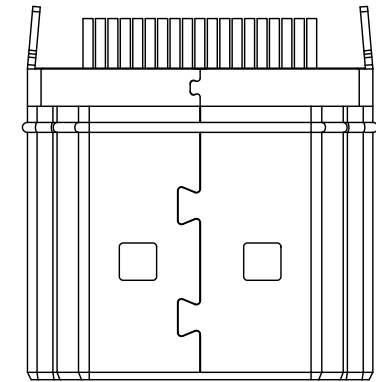
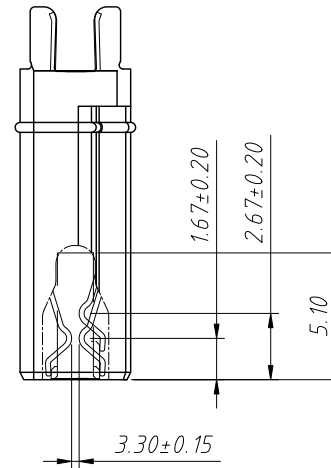
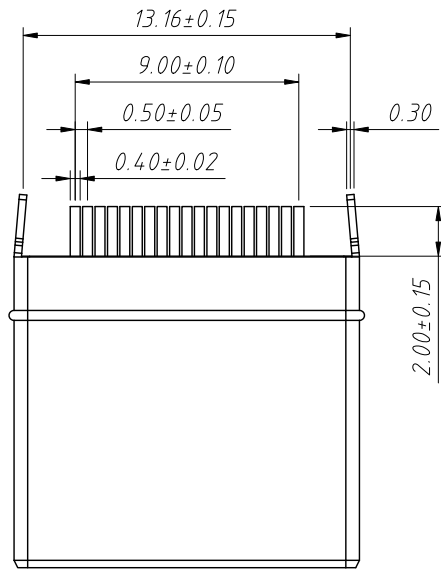
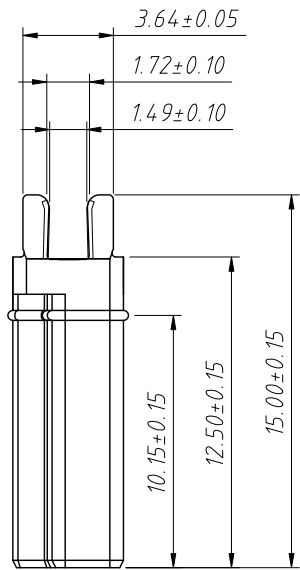
Shell	H65-H SPCC	1	Gold Plated Over G/F, Plated Over 50u" Ni Min.
9Pin Contact	C5191	9	Contact Area:Gold Plated Over 50u" Ni Min. Soldered Area:100u" Mist Tin Plated Over 50u" Ni Min.
10Pin Contact	C5191	10	Contact Area:Gold Plated Over 50u" Ni min. Soldered Area:100u" Mist Tin Plated Over 50u" Ni Min.
Back Insert Housing	LCP	1	Black,UL 94 V-0
Housing	LCP	1	Black,UL 94 V-0
Part Name	Mechanical	QT'Y	Note

Specification:

Current Rating:0.5 AMP Max. / Voltage Rating:40V AC(r.m.s) Max.  
 Contact Resistance:10m ohms max.Mated / Insulation Resistance:100M ohms Min.  
 Dielectric Withstanding Voltage: AC 500V Min. (for 1 minute)  
 Operation Temperature Range:-25°C ~85°C

Mechanical:

Insertion Force:4.5kgf Maximum / Plugging Times:10000 Cycles  
 Withdrawal Force:1.0kgf Minimum;4.0kgf Maximum



ANGLE TOLERANCE	PROJECTION	Description:	HDMI A male,Splint type	
±3°				
GENERAL TOLERANCE	UNITS	mm	KLS P/N:	L-KLS1-L-005-G
x.x ±0.30	SHEET SIZE	A4		
x.xx ±0.20	Draw:	Daniel	2022-06-15	NingBo KLS ELECTRONIC CO.,L TD.
x.xxx ±0.10	Check:	Daniel	2022-06-15	