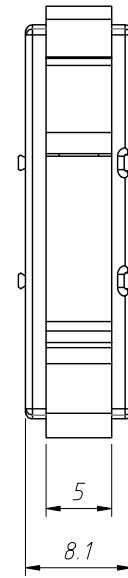
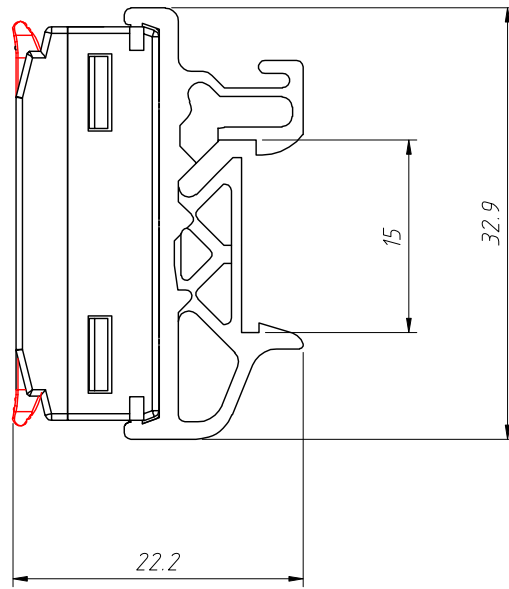
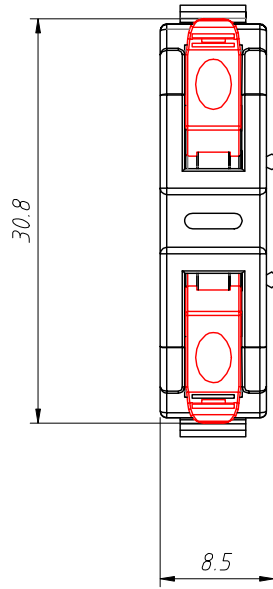
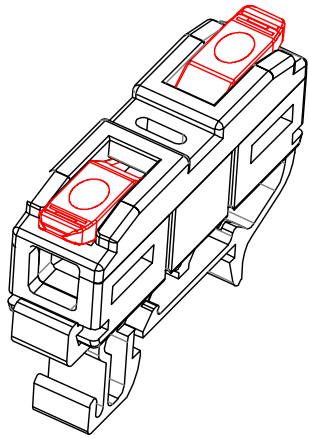


1 RoHS Compliance



Material:

Housing: PA66/PC, UL 94V-0(2)

Contact: Brass, Tin plated

Spring clasp: 301 Imported stainless steel

Applicable wires: 13~28AWG

Electrical Characteristics:

Current rating: 32A

Voltage rating: 300V

Temperature range: -25°C ~ +95°C

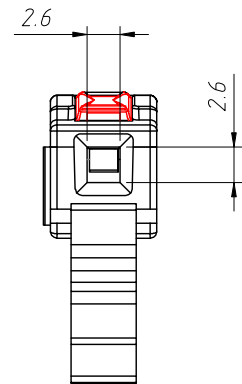
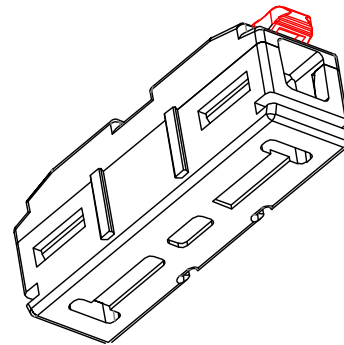
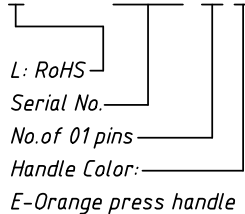
Insulator Resistance: 1000MΩ Min

Contact Resistance: 0.015mΩ Max

Dimensional Be Smaller 5 Tolerance ±0.05mm

Order Information:

L-KLS2-L239W-01-E



ANGLE TOLERANCE	PROJECTION	Description:
±3°		Din Rail Wire Splice Connectors, For 13-28AWG, 01 Pins
GENERAL TOLERANCE	UNITS	mm
x.x ±0.30	SHEET SIZE	A4
x.xx ±0.20	Draw:	Daniel 2020-11-11
x.xxx ±0.10	Check:	Daniel 2020-11-11

KLS
electronic

NingBo KLS ELECTRONIC CO.,L TD.