

## AV-A9225



**SIZE:**

92x92x25mm

**construction:**

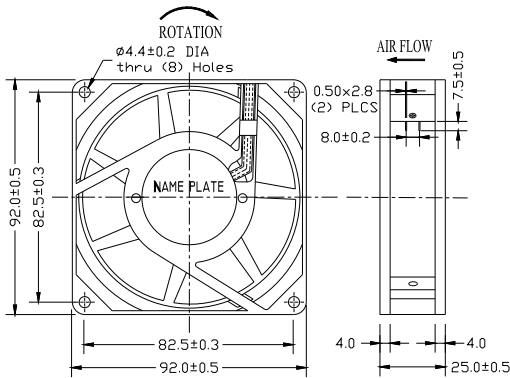
- Die -cast aluminum housing
- Glass fiber reinforced plastic: Impeller
- Shaded pole motor
- Impedance protected
- Leader wire or terminal is available

**OPERATING TEMPERATURE:**

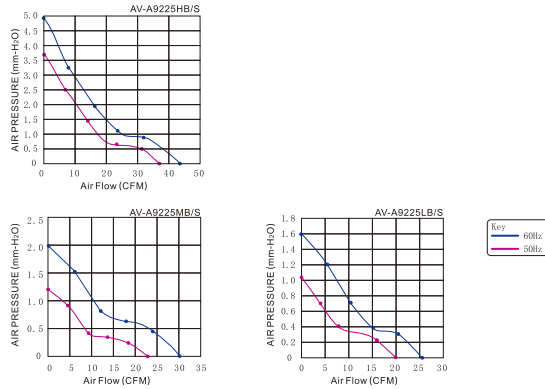
Ball bearing -30°C to +75°C  
Sleeve bearing -10°C to +70°C

### Dimensions Drawing

Unit:mm



### Characteristic Curves



### Specifications

Model	Bearing Type	Rated Voltage	Fre-	Current	Power	Speed	Noise Level	Air Flow		Static Pressure	Weight
		VAC	Hz	A	W	RPM	dBA	M <sup>3</sup> /min	CFM	mmH <sub>2</sub> O	g
AV-A9225HB10	Ball	115	50/60	0.12/0.10	14/13.5	2500/2900	32/37	0.85/1.05	30/37	3.30/4.83	240
AV-A9225HS10	Sleeve	115	50/60	0.12/0.10	14/13.5	2500/2900	32/37	0.85/1.05	30/37	3.30/4.83	240
AV-A9225MB10	Ball	115	50/60	0.09/0.08	11/10	2300/2600	25/33	0.71/0.85	25/30	3.0/3.5	240
AV-A9225MS10	Sleeve	115	50/60	0.09/0.08	11/10	2300/2600	25/33	0.71/0.85	25/30	3.0/3.5	240
AV-A9225LB10	Ball	115	50/60	0.07/0.07	9/8	2000/2200	22/24	0.60/0.62	21/22	2.7/2.6	240
AV-A9225LS10	Sleeve	115	50/60	0.07/0.07	9/8	2000/2200	22/24	0.60/0.62	21/22	2.7/2.6	240
AV-A9225HB20	Ball	220~240	50/60	0.08/0.07	16/15	2500/2900	32/37	0.85/1.05	30/37	3.30/4.83	240
AV-A9225HS20	Sleeve	220~240	50/60	0.08/0.07	16/15	2500/2900	32/37	0.85/1.05	30/37	3.30/4.83	240
AV-A9225MB20	Ball	220~240	50/60	0.07/0.06	13/12	2300/2600	25/33	0.71/0.85	25/30	3.0/3.5	240
AV-A9225MS20	Sleeve	220~240	50/60	0.07/0.06	13/12	2300/2600	25/33	0.71/0.85	25/30	3.0/3.5	240
AV-A9225LB20	Ball	220~240	50/60	0.05/0.05	9/8	2000/2200	22/24	0.60/0.62	21/22	2.7/2.6	240
AV-A9225LS20	Sleeve	220~240	50/60	0.05/0.05	9/8	2000/2200	22/24	0.60/0.62	21/22	2.7/2.6	240
AV-A9225HB30	Ball	380	50	0.07	14	2500	32	0.85	30	3.30	240
AV-A9225HS30	Sleeve	380	50	0.07	14	2500	32	0.85	30	3.30	240