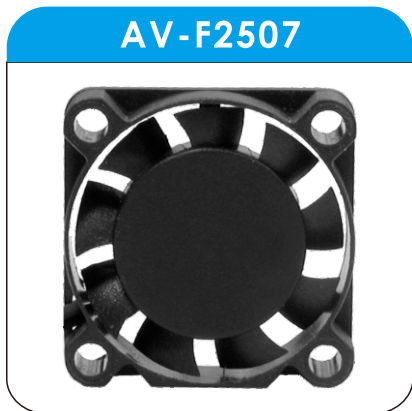


AV-F2507



SIZE:

25x25x7mm

construction:

Glass Fiber reinforced plastic;
Impeller and housing PBT

OPERATING TEMPERATURE:

Sleeve bearing -10°C to +70°C

INSULATION RESISTANCE:

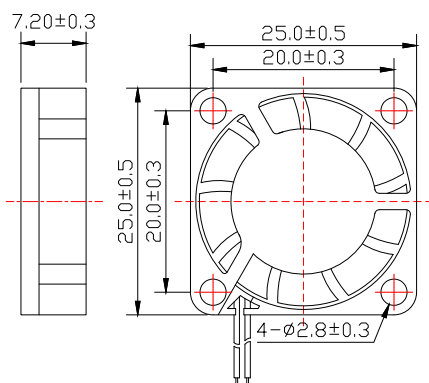
10meg Ohm min, at 500 VDC
(between frame and terminal)

DIELECTRIC STRENGTH:

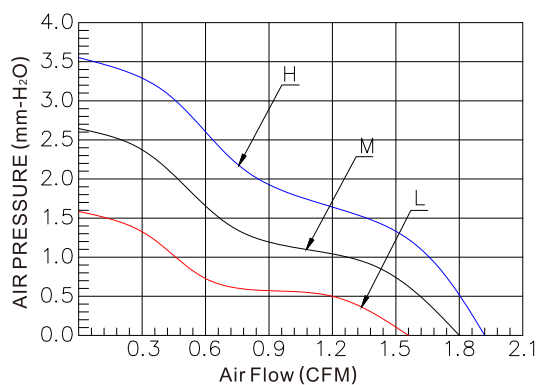
5mA max, at 500 VAC 60Hz one minute
(between frame and terminal)

Dimensions Drawing

Unit:mm



Characteristic Curves



Specifications

Carton Specifications (Unit: cm):45x27x18 QTY:1000pcs GW:6.85Kg

Model	Bearing Type	Rated Voltage	Operation Voltage	Current	Speed	Air Flow	Static Pressure	Noise Level	Weight
		VDC	VDC						
AV-F2507HS05	Sleeve	5	4.5~5.5	0.20	10000	1.92	3.55	22.50	6.1
AV-F2507MS05	Sleeve	5	4.5~5.5	0.16	9000	1.80	2.64	20.58	6.1
AV-F2507LS05	Sleeve	5	4.5~5.5	0.12	8000	1.60	1.58	20.18	6.1
AV-F2507HS	Sleeve	12	10.8~13.2	0.15	10000	1.92	3.55	22.50	6.1
AV-F2507MS	Sleeve	12	10.8~13.2	0.12	9000	1.80	2.64	20.58	6.1
AV-F2507LS	Sleeve	12	10.8~13.2	0.09	8000	1.60	1.58	20.18	6.1