

## AV-F2510



**SIZE:**

25x25x10mm

**construction:**

Glass Fiber reinforced plastic;  
Impeller and housing PBT

**OPERATING TEMPERATURE:**

Sleeve bearing -10°C to +70°C

**INSULATION RESISTANCE:**

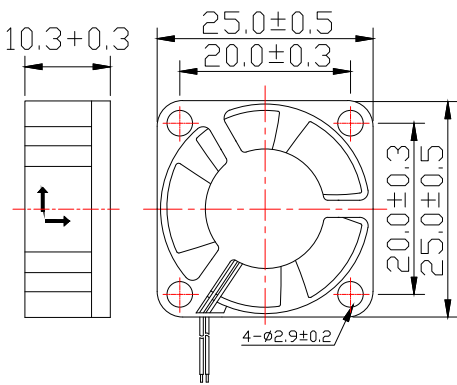
10meg Ohm min, at 500 VDC  
(between frame and terminal)

**DIELECTRIC STRENGTH:**

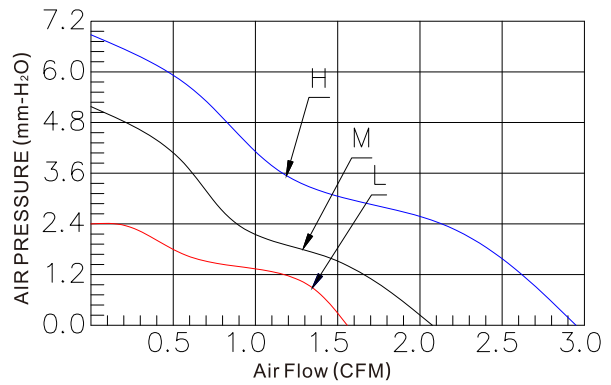
5mA max, at 500 VAC 60Hz one minute  
(between frame and terminal)

### Dimensions Drawing

Unit:mm



### Characteristic Curves



### Specifications

Carton Specifications (Unit: cm):45x27x18 QTY:1000pcs GW:6.85Kg

Model	Bearing Type	Rated Voltage	Operation Voltage	Current	Speed	Air Flow	Static Pressure	Noise Level	Weight
		VDC	VDC	A	RPM	CFM	mmH <sub>2</sub> O	dBA	g
AV-F2510HS05	Sleeve	5	4.5~5.5	0.12	13000	2.90	6.93	30.78	6.1
AV-F2510MS05	Sleeve	5	4.5~5.5	0.10	8000	2.22	5.01	24.11	6.1
AV-F2510LS05	Sleeve	5	4.5~5.5	0.08	6000	1.53	2.40	18.97	6.1
AV-F2510HB05	Ball	5	4.5~5.5	0.12	13000	2.90	6.93	30.78	6.1
AV-F2510MB05	Ball	5	4.5~5.5	0.10	8000	2.22	5.01	24.11	6.1
AV-F2510LB05	Ball	5	4.5~5.5	0.08	6000	1.53	2.40	18.97	6.1
AV-F2510HS	Sleeve	12	10.8~13.2	0.12	13000	2.90	6.93	30.78	6.1
AV-F2510MS	Sleeve	12	10.8~13.2	0.08	8000	2.22	5.01	24.11	6.1
AV-F2510LS	Sleeve	12	10.8~13.2	0.06	6000	1.53	2.40	18.97	6.1
AV-F2510HB	Ball	12	10.8~13.2	0.12	13000	2.90	6.93	30.78	6.1
AV-F2510MB	Ball	12	10.8~13.2	0.08	8000	2.22	5.01	24.11	6.1
AV-F2510LB	Ball	12	10.8~13.2	0.06	6000	1.53	2.40	18.97	6.1