

AV-F6010



SIZE:

60x60x10mm

construction:

Glass Fiber reinforced plastic;
Impeller and housing PBT

OPERATING TEMPERATURE:

Sleeve bearing -10°C to +70°C

INSULATION RESISTANCE:

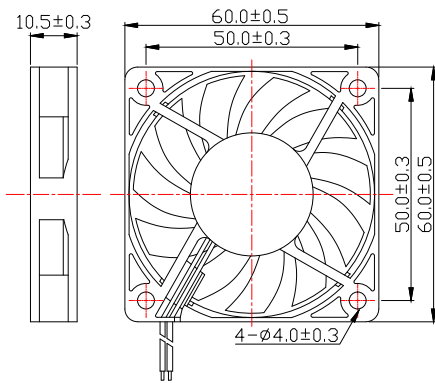
10meg Ohm min, at 500 VDC
(between frame and terminal)

DIELECTRIC STRENGTH:

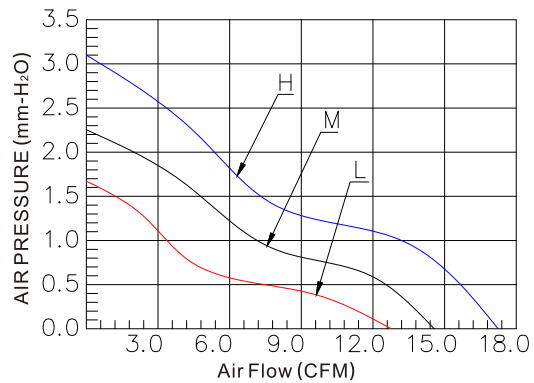
5mA max, at 500 VAC 60Hz one minute
(between frame and terminal)

Dimensions Drawing

Unit:mm



Characteristic Curves



Specifications

Carton Specifications (Unit: cm):33x25.5x33 QTY:500pcs GW:11.25Kg

Model	Bearing Type	Rated Voltage	Operation Voltage	Current	Speed	Air Flow	Static Pressure	Noise Level	Weight
		VDC	VDC	A	RPM	CFM	mmH ₂ O	dBA	g
AV-F6010HS05	Sleeve	5	4.5~5.5	0.35	4000	17.17	3.15	28.86	21
AV-F6010MS05	Sleeve	5	4.5~5.5	0.30	3500	14.78	2.38	26.38	21
AV-F6010LS05	Sleeve	5	4.5~5.5	0.25	3000	12.30	1.67	23.33	21
AV-F6010HB05	Ball	5	4.5~5.5	0.35	4000	17.17	3.15	28.86	21
AV-F6010MB05	Ball	5	4.5~5.5	0.30	3500	14.78	2.38	26.38	21
AV-F6010LB05	Ball	5	4.5~5.5	0.25	3000	12.30	1.67	23.33	21
AV-F6010HS	Sleeve	12	10.8~13.2	0.23	4000	17.17	3.15	28.86	21
AV-F6010MS	Sleeve	12	10.8~13.2	0.17	3500	14.78	2.38	26.38	21
AV-F6010LS	Sleeve	12	10.8~13.2	0.13	3000	12.30	1.67	23.33	21
AV-F6010HB	Ball	12	10.8~13.2	0.23	4000	17.17	3.15	28.86	21
AV-F6010MB	Ball	12	10.8~13.2	0.17	3500	14.78	2.38	26.38	21
AV-F6010LB	Ball	12	10.8~13.2	0.13	3000	12.30	1.67	23.33	21