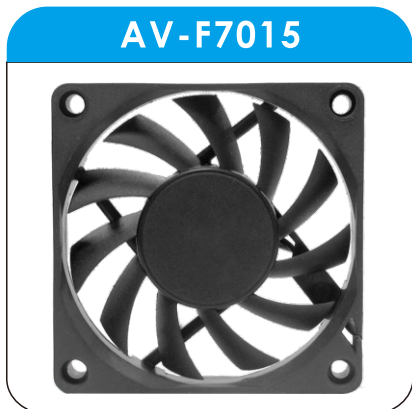


## AV-F7015



**SIZE:**

70x70x15mm

**construction:**

Glass Fiber reinforced plastic;  
Impeller and housing PBT

**OPERATING TEMPERATURE:**

Sleeve bearing -10°C to +70°C

**INSULATION RESISTANCE:**

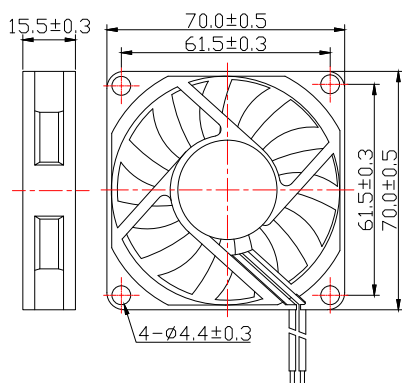
10meg Ohm min, at 500 VDC  
(between frame and terminal)

**DIELECTRIC STRENGTH:**

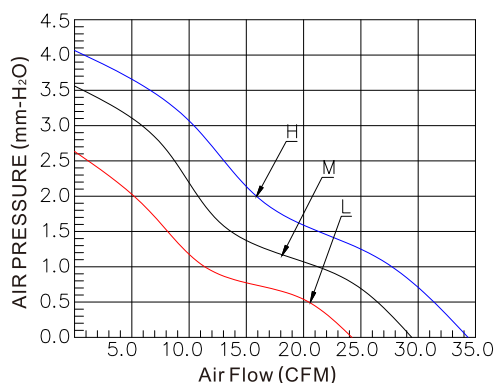
5mA max, at 500 VAC 60Hz one minute  
(between frame and terminal)

### Dimensions Drawing

Unit:mm



### Characteristic Curves



### Specifications

Carton Specifications (Unit: cm):38x32x37 QTY:500pcs GW:21.8Kg

Model	Bearing Type	Rated Voltage	Operation Voltage	Current	Speed	Air Flow	Static Pressure	Noise Level	Weight
		VDC	VDC	A	RPM	CFM	mmH <sub>2</sub> O	dBA	g
AV-F7015HS	Sleeve	12	10.8~13.2	0.30	4000	34.18	4.03	31.66	42.1
AV-F7015MS	Sleeve	12	10.8~13.2	0.25	3600	29.40	3.53	31.08	42.1
AV-F7015LS	Sleeve	12	10.8~13.2	0.20	3000	24.42	2.62	27.20	42.1
AV-F7015HB	Ball	12	10.8~13.2	0.30	4000	34.18	4.03	31.66	42.1
AV-F7015MB	Ball	12	10.8~13.2	0.25	3600	29.40	3.53	31.08	42.1
AV-F7015LB	Ball	12	10.8~13.2	0.20	3000	24.42	2.62	27.20	42.1
AV-F7015HS24	Sleeve	24	21.6~26.4	0.14	4000	34.18	4.03	31.66	42.1
AV-F7015MS24	Sleeve	24	21.6~26.4	0.11	3600	29.40	3.53	31.08	42.1
AV-F7015LS24	Sleeve	24	21.6~26.4	0.08	3000	24.42	2.62	27.20	42.1
AV-F7015HB24	Ball	24	21.6~26.4	0.14	4000	34.18	4.03	31.66	42.1
AV-F7015MB24	Ball	24	21.6~26.4	0.11	3600	29.40	3.53	31.08	42.1
AV-F7015LB24	Ball	24	21.6~26.4	0.08	3000	24.42	2.62	27.20	42.1