

## AV-F8010



**SIZE:**

80x80x10mm

**construction:**

Glass Fiber reinforced plastic;  
Impeller and housing PBT

**OPERATING TEMPERATURE:**

Sleeve bearing -10°C to +70°C

**INSULATION RESISTANCE:**

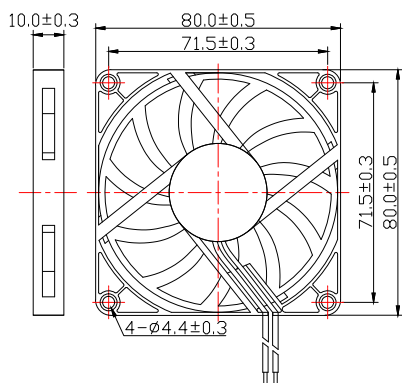
10meg Ohm min, at 500 VDC  
(between frame and terminal)

**DIELECTRIC STRENGTH:**

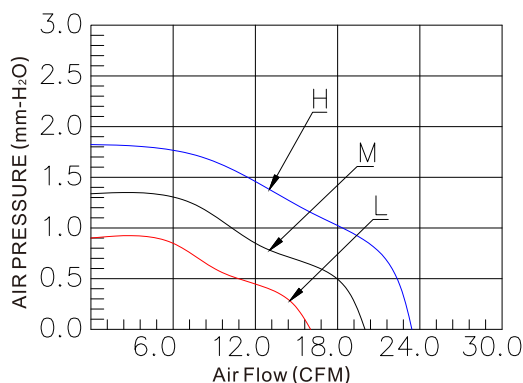
5mA max, at 500 VAC 60Hz one minute  
(between frame and terminal)

### Dimensions Drawing

Unit:mm



### Characteristic Curves



### Specifications

Carton Specifications (Unit: cm):43x22x34 QTY:400pcs GW:13.55Kg

Model	Bearing Type	Rated Voltage	Operation Voltage	Current	Speed	Air Flow	Static Pressure	Noise Level	Weight
		VDC	VDC	A	RPM	CFM	mmH <sub>2</sub> O	dBA	g
AV-F8010HS05	Sleeve	5	4.5~5.5	0.35	3000	23.45	1.81	30.75	32
AV-F8010MS05	Sleeve	5	4.5~5.5	0.25	2500	19.68	1.31	26.25	32
AV-F8010LS05	Sleeve	5	4.5~5.5	0.17	2000	15.58	0.09	22.08	32
AV-F8010HB05	Ball	5	4.5~5.5	0.35	3000	23.45	1.81	30.75	32
AV-F8010MB05	Ball	5	4.5~5.5	0.25	2500	19.68	1.31	26.25	32
AV-F8010LB05	Ball	5	4.5~5.5	0.17	2000	15.58	0.09	22.08	32
AV-F8010HS	Sleeve	12	10.8~13.2	0.24	3000	23.45	1.81	30.75	32
AV-F8010MS	Sleeve	12	10.8~13.2	0.18	2500	19.68	1.31	26.25	32
AV-F8010LS	Sleeve	12	10.8~13.2	0.12	2000	15.58	0.09	22.08	32
AV-F8010HB	Ball	12	10.8~13.2	0.24	3000	23.45	1.81	30.75	32
AV-F8010MB	Ball	12	10.8~13.2	0.18	2500	19.68	1.31	26.25	32
AV-F8010LB	Ball	12	10.8~13.2	0.12	2000	15.58	0.09	22.08	32