

AV-F8015



SIZE:

80x80x15mm

construction:

Glass Fiber reinforced plastic;
Impeller and housing PBT

OPERATING TEMPERATURE:

Sleeve bearing -10°C to +70°C

INSULATION RESISTANCE:

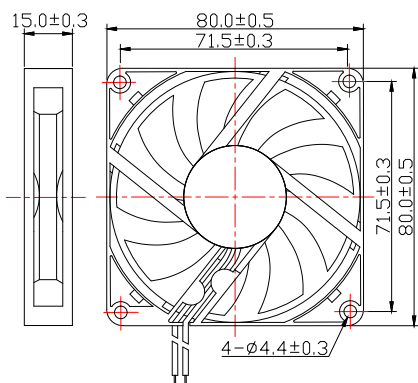
10meg Ohm min, at 500 VDC
(between frame and terminal)

DIELECTRIC STRENGTH:

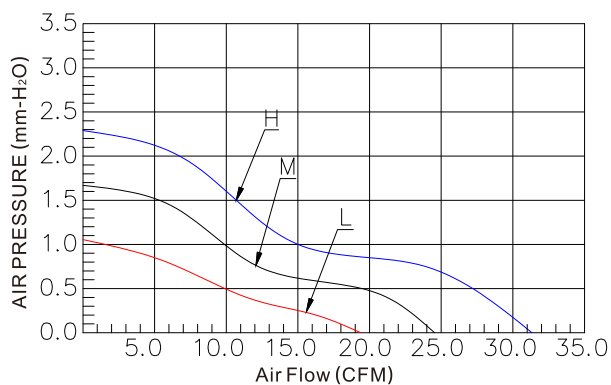
5mA max, at 500 VAC 60Hz one minute
(between frame and terminal)

Dimensions Drawing

Unit:mm



Characteristic Curves



Specifications

Carton Specifications (Unit: cm):43x32x34 QTY:400pcs GW:19.35Kg

Model	Bearing Type	Rated Voltage	Operation Voltage	Current	Speed	Air Flow	Static Pressure	Noise Level	Weight
		VDC	VDC						
AV-F8015HS05	Sleeve	5	4.5~5.5	0.35	3000	30.16	2.38	34.57	46.5
AV-F8015MS05	Sleeve	5	4.5~5.5	0.28	2500	24.89	1.69	29.80	46.5
AV-F8015LS05	Sleeve	5	4.5~5.5	0.20	2000	18.99	1.03	24.15	46.5
AV-F8015HB05	Ball	5	4.5~5.5	0.35	3000	30.16	2.38	34.57	46.5
AV-F8015MB05	Ball	5	4.5~5.5	0.28	2500	24.89	1.69	29.80	46.5
AV-F8015LB05	Ball	5	4.5~5.5	0.20	2000	18.99	1.03	24.15	46.5
AV-F8015HS12	Sleeve	12	10.8~13.2	0.20	3000	30.16	2.38	34.57	46.5
AV-F8015MS12	Sleeve	12	10.8~13.2	0.15	2500	24.89	1.69	29.80	46.5
AV-F8015LS12	Sleeve	12	10.8~13.2	0.10	2000	18.99	1.03	24.15	46.5
AV-F8015HB12	Ball	12	10.8~13.2	0.20	3000	30.16	2.38	34.57	46.5
AV-F8015MB12	Ball	12	10.8~13.2	0.15	2500	24.89	1.69	29.80	46.5
AV-F8015LB12	Ball	12	10.8~13.2	0.10	2000	18.99	1.03	24.15	46.5