

AV-F8020



SIZE:

80x80x20mm

construction:

Glass Fiber reinforced plastic;
Impeller and housing PBT

OPERATING TEMPERATURE:

Sleeve bearing -10°C to +70°C

INSULATION RESISTANCE:

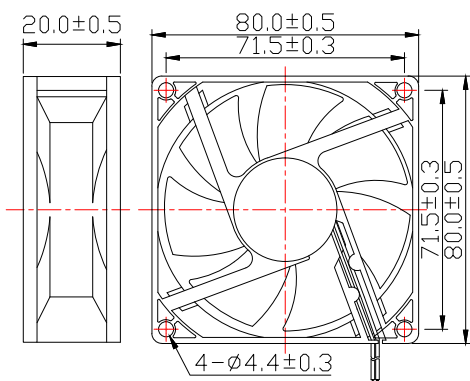
10meg Ohm min, at 500 VDC
(between frame and terminal)

DIELECTRIC STRENGTH:

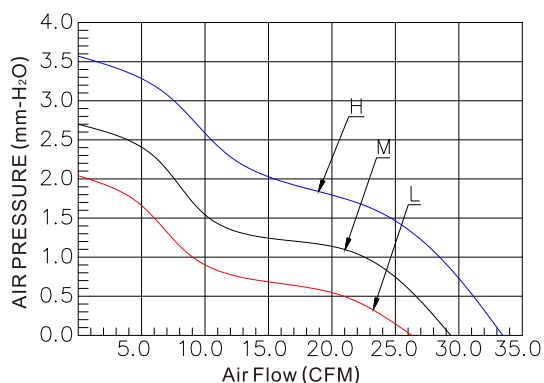
5mA max, at 500 VAC 60Hz one minute
(between frame and terminal)

Dimensions Drawing

Unit:mm



Characteristic Curves



Specifications

Carton Specifications (Unit: cm):43x32x34 QTY:300pcs GW:19.14Kg

Model	Bearing Type	Rated Voltage	Operation Voltage	Current	Speed	Air Flow	Static Pressure	Noise Level	Weight
		VDC	VDC						
AV-F8020HS	Sleeve	12	10.8~13.2	0.20	3200	33.95	3.55	30.67	61.3
AV-F8020MS	Sleeve	12	10.8~13.2	0.15	2800	29.29	2.70	26.95	61.3
AV-F8020LS	Sleeve	12	10.8~13.2	0.10	2400	25.15	2.03	23.62	61.3
AV-F8020HB	Ball	12	10.8~13.2	0.20	3200	33.95	3.55	30.67	61.3
AV-F8020MB	Ball	12	10.8~13.2	0.15	2800	29.29	2.70	26.95	61.3
AV-F8020LB	Ball	12	10.8~13.2	0.10	2400	25.15	2.03	23.62	61.3
AV-F8020HS24	Sleeve	24	21.6~26.4	0.11	3200	33.95	3.55	30.67	61.3
AV-F8020MS24	Sleeve	24	21.6~26.4	0.09	2800	29.29	2.70	26.95	61.3
AV-F8020LS24	Sleeve	24	21.6~26.4	0.07	2400	25.15	2.03	23.62	61.3
AV-F8020HB24	Ball	24	21.6~26.4	0.11	3200	33.95	3.55	30.67	61.3
AV-F8020MB24	Ball	24	21.6~26.4	0.09	2800	29.29	2.70	26.95	61.3
AV-F8020LB24	Ball	24	21.6~26.4	0.07	2400	25.15	2.03	23.62	61.3