

AV-F9238



SIZE:

92x92x38mm

construction:

Glass Fiber reinforced plastic;
Impeller and housing PBT

OPERATING TEMPERATURE:

Sleeve bearing -10°C to +70°C

INSULATION RESISTANCE:

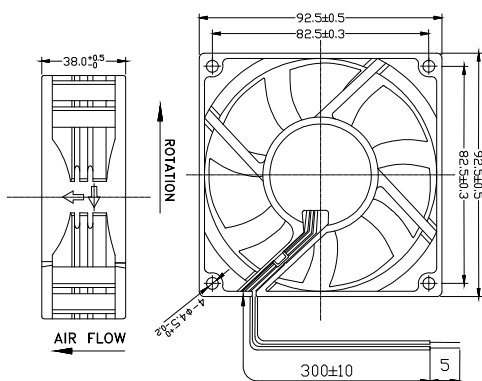
10meg Ohm min, at 500 VDC
(between frame and terminal)

DIELECTRIC STRENGTH:

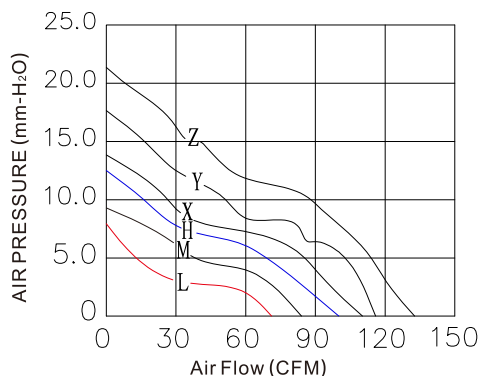
5mA max, at 500 VAC 60Hz one minute
(between frame and terminal)

Dimensions Drawing

Unit:mm



Characteristic Curves



Specifications

Carton Specifications (Unit: cm):49x26x40 QTY:200pcs GW:22.14Kg

Model	Bearing Type	Rated Voltage	Operation Voltage	Current	Speed	Air Flow	Static Pressure	Noise Level	Weight
		VDC	VDC						
AV-F9238HB	Ball	12	10.8~13.2	0.50	2500	104.7	14.50	53.5	80
AV-F9238MB	Ball	12	10.8~13.2	0.80	3500	116.1	18.10	57.0	80
AV-F9238LB	Ball	12	10.8~13.2	1.00	4500	130.2	22.00	59.3	80
AV-F9238HB24	Ball	24	21.6~26.4	0.50	2500	104.7	14.50	53.5	80
AV-F9238MB24	Ball	24	21.6~26.4	0.70	3500	116.1	18.10	57.0	80
AV-F9238LB24	Ball	24	21.6~26.4	1.00	4500	130.2	22.00	59.3	80
AV-F9238HB48	Ball	48	43.2~52.8	0.36	2500	104.7	14.50	53.5	80
AV-F9238MB48	Ball	48	43.2~52.8	0.54	3500	116.1	18.10	57.0	80
AV-F9238LB48	Ball	48	43.2~52.8	0.65	4500	130.2	22.00	59.3	80