

## AV-F17251



**SIZE:**

172x150x51mm

**construction:**

Glass Fiber reinforced plastic;  
Impeller and housing PBT

**OPERATING TEMPERATURE:**

Sleeve bearing -10°C to +70°C

**INSULATION RESISTANCE:**

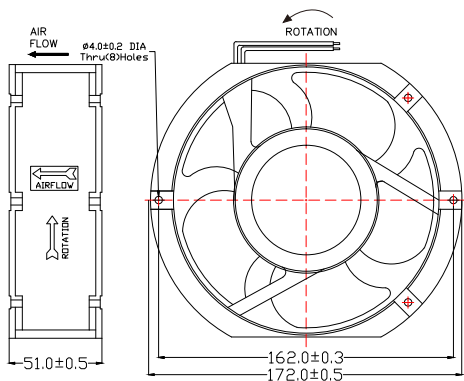
10meg Ohm min, at 500 VDC  
(between frame and terminal)

**DIELECTRIC STRENGTH:**

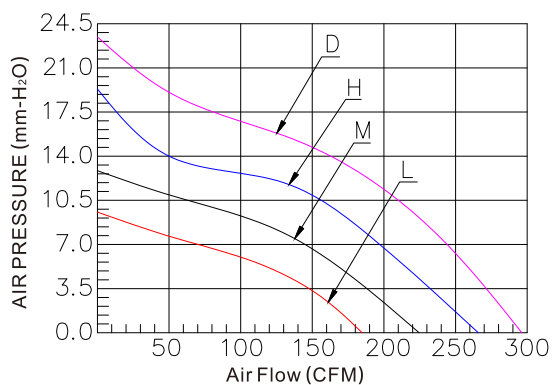
5mA max, at 500 VAC 60Hz one minute  
(between frame and terminal)

### Dimensions Drawing

Unit:mm



### Characteristic Curves



### Specifications

Carton Specifications (Unit: cm):78x32x34 QTY:40pcs GW:31.14Kg

Model	Bearing Type	Rated Voltage	Operation Voltage	Current	Speed	Air Flow	Static Pressure	Noise Level	Weight
		VDC	VDC	A	RPM	CFM	mmH <sub>2</sub> O	dBA	g
AV-F17251DB24	Ball	24	21.6~26.4	1.50	4000	296.00	24.04	74.40	760
AV-F17251HB24	Ball	24	21.6~26.4	1.00	3600	266.00	19.48	67.00	760
AV-F17251MB24	Ball	24	21.6~26.4	0.60	3000	222.00	13.54	55.80	760
AV-F17251LB24	Ball	24	21.6~26.4	0.40	2500	185.00	9.40	46.50	760
AV-F17251DB48	Ball	48	43.2~52.8	0.80	4000	296.00	24.04	74.40	760
AV-F17251HB48	Ball	48	43.2~52.8	0.60	3600	266.00	19.48	67.00	760
AV-F17251MB48	Ball	48	43.2~52.8	0.35	3000	222.00	13.54	55.80	760
AV-F17251LB48	Ball	48	43.2~52.8	0.25	2500	185.00	9.40	46.50	760