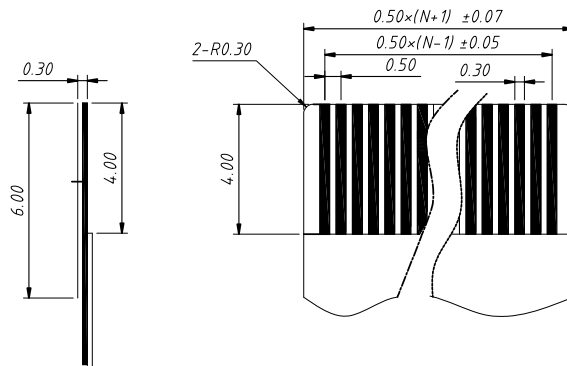
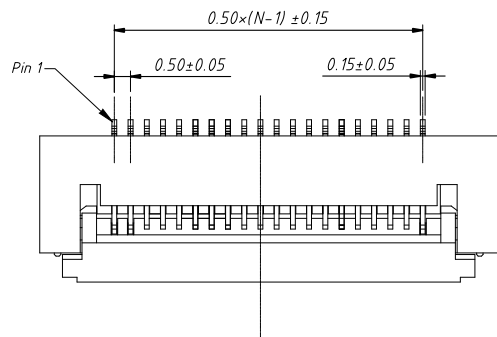


Material
 Housing:LCP, UL 94 V-0
 Cover:NY9T,UL 94 V-0
 Terminal:P/B C5210-SH,Gold/Tin
 PEG:P/B C5191-H,Gold/Tin

Electrical
 Voltage rating: 50V DC
 Current rating: 0.4 A

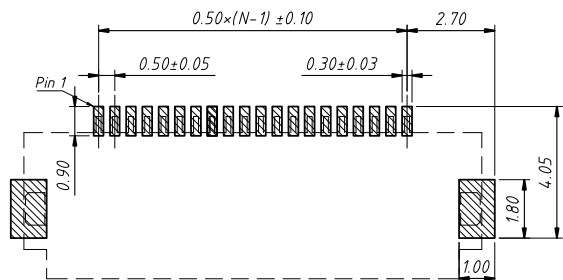
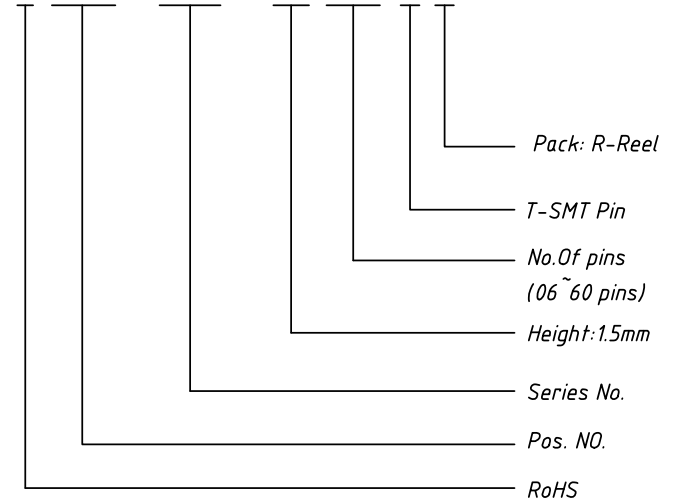
Mechanical
 Temp. Range: -40 °C ~ +105 °C



Applicable FPC

Order Information

L-KLS1- 242G - 1.5- XX -T-R



PCB Layout

GENERAL TOLERANCE	ANGLE TOLERANCE	PROJECTION	Description:
X. ±0.15	X. ±5°	UNITS	CONN FFC 0.50mm,SMD, Horizontal,Lower Contact , with ZIF
.X ±0.03	.X ±3°	SHEET SIZE	
.XX ±0.05	.XX ±2°	KLS P/N:	

Draw by: Date	2018-03-10
Check by:: Date	2018-03-10
SCALE	SHEET OF

KLS NingBo KLS ELECTRONIC CO.,L TD.