

1 2 3 4 5 6 7 8

A

B

C

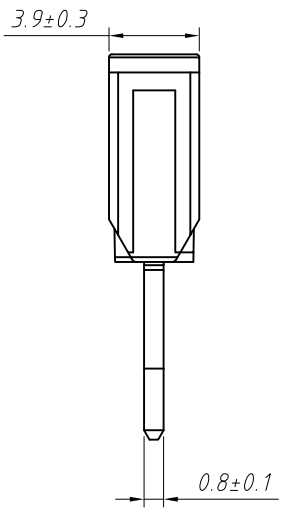
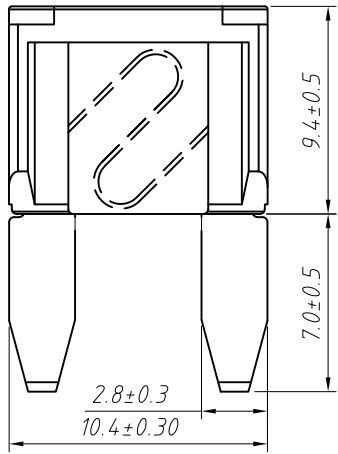
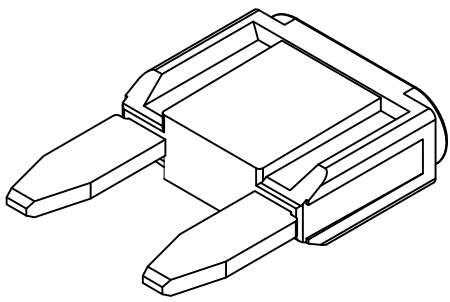
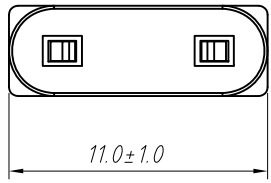
D

E

F

G

H



6	7	8
Part Number	Current Rating	Housing Color
L-KLS5-269C-002-A	2A	Grey
L-KLS5-269C-003-A	3A	Violet
L-KLS5-269C-004-A	4A	Pink
L-KLS5-269C-005-A	5A	Orange
L-KLS5-269C-008-A	7.5A	Brown
L-KLS5-269C-010-A	10A	Red
L-KLS5-269C-015-A	15A	Blue
L-KLS5-269C-020-A	20A	Yellow
L-KLS5-269C-025-A	25A	Natural
L-KLS5-269C-030-A	30A	Green

Characteristics:
 Voltage Rating: 58V DC
 Current Rating: 2A ~ 30A
 Operating Temperature: -40°C to +125°C

Material:
 Body: PC, UL94-V2
 Contact: Zinc Alloy

Time-Current Characteristics

% of Rating	Opening Time
110	>360,000s
135	0.75 to 1800s
200	0.15 to 5s
350	0.04 to 0.5s
600	0.02 to 0.1s

GENERAL TOLERANCE	PROJECTION		Description:
X. ±1.00	UNITS	mm	58V Miniature Blade Fuse
.X ±0.50	SCALE	3:1	
.XX ±0.30	Draw by:	Daniel	
ANGLE TOLERANCE	Check by:	Daniel	KLS P/N: L-KLS5-269C-XX-A
X. ±5°	Date	2022-09-01	NingBo KLS ELECTRONIC CO.,L TD.
.X ±3°	SHEET	1 OF 1	
.XX ±2°			

1 2 3 4 5 6 7 8